

Catalogo Generale Assiali

General Axial Catalogue



**Elettroventilatori per Refrigerazione,
Condizionamento, Ventilazione, Riscaldamento
Motori elettrici ECM & frazionari**

***Electric fans and blowers for Refrigeration,
Airconditioning, Ventilation, Heating
ECM & Fractional electric motors***



©Copyright - ® MA-VIB S.p.A.



Introduzione Generale

General introducing



Introduzione

Da oltre 60 anni MA-VIB è leader nella produzione di motori frazionari a induzione, a poli schermati, a condensatore permanente e di motori ECM, installati nella nostra ampia gamma di ventilatori studiati per soddisfare le più svariate esigenze nei campi della Refrigerazione, del Riscaldamento, del Condizionamento e nella movimentazione dell'aria.

In questo catalogo è presentata la nostra gamma di ventilatori:

- Assiali :
con ventole da Ø 96 a Ø 500 mm
- Tangenziali :
con ventole da Ø 60 a Ø 80 mm
- Fan-Coil :
con ventole da Ø 145 a Ø 215 mm
- Centrifughi :
Con ventole da Ø 96 a Ø 470 mm

Dove sono installati i nostri propri motori, accessori e componenti .

Introducing

For more than 60 years MA-VIB has been leader in the manufacture of quality fractional horse power induction motors of shaded pole, permanent split capacitor and ECM designs, together with a comprehensive range of reliable fan units to meet customer requirement in the fields of Air conditioning, Refrigeration, Heating and Air Mouving.

In this catalogue are presented our ranges of fans :

- Axial :
from Ø 96 to Ø 500 mm impeller
- Tangential :
from Ø 60 to Ø 80 mm impeller
- Fan-Coil :
from Ø 145 to Ø 215 mm impeller
- Centrifugal :
from Ø 96 to Ø 470 mm impeller

Where are installed our own motors with our own accessory and components

Introduction

Depuis plus de 60 ans la MA-VIB est producteur leader de moteurs électriques à induction "shaded pole", à condensateur et ECM et ainsi d'une vaste gamme de ventilateurs étudiés pour satisfaire toute exigence dans les domaines du Froid, du Conditionnement du Chauffage et Air Mouvement.

Vous présentons dans ce catalogue nos gamme de ventilateurs:

- Helicoids :
avec helice du Ø 96 à Ø 500 mm
- Tangentiels :
avec helice du Ø 60 à Ø 80 mm
- Fan-Coil :
Avec helice du Ø 145 à Ø 215 mm
- Centrifuges :
Avec helice du Ø 96 à Ø 470 mm i

Où sont installés nos propres moteurs avec nos accessoires et composants

Einführung

Seit mehr als 60 Jahren ist MA-VIB führend in der Herstellung von Kleinmotoren, Spaltpolmotoren, Kondensatormotoren und ECM motoren Dies gilt ebenso für eine umfangreiche Reihe von zuverlässigen Gebläsen für Lüftung, Kühlung und Heizung, die den Bedürfnissen der Kunden in diesen Bereichen gerecht werden

Unser Katalog präsentiert Baureihen kleiner Ventilatoren :

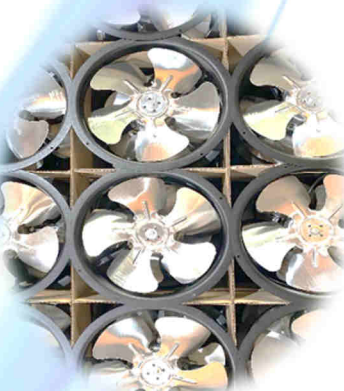
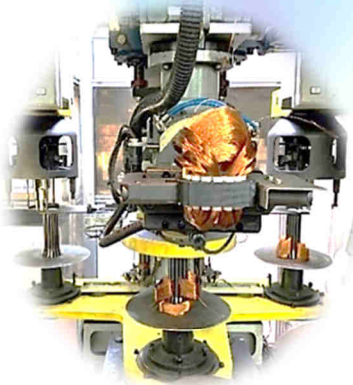
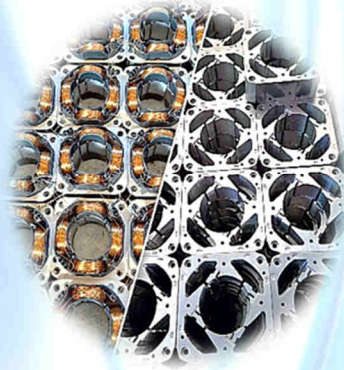
- Axial :
from Ø 96 to Ø 500 mm impeller
- Tangential :
from Ø 60 to Ø 80 mm impeller
- Fan-Coil :
from Ø 145 to Ø 215 mm impeller
- Radial :
from Ø 96 to Ø 470 mm impeller

Wo unsere eigenen Motoren, Zubehörteile und Komponenten verbaut werden.





for all your needs we produce axial and centrifugal fan motors



for further information contact us or visit www.mavib.com

MA-VIB SpA

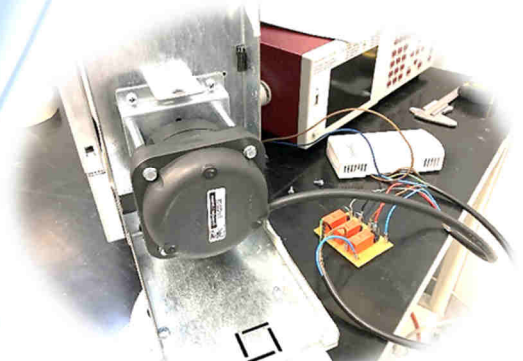
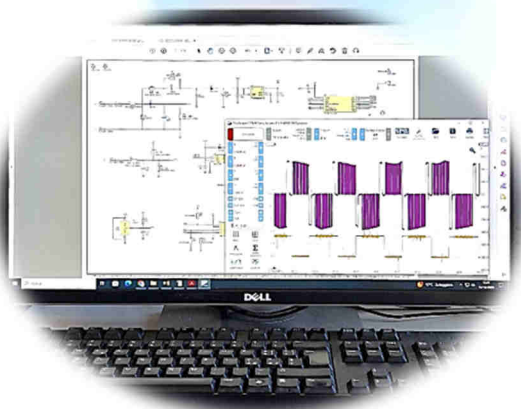
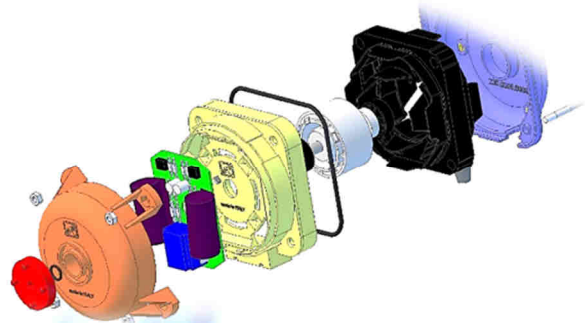
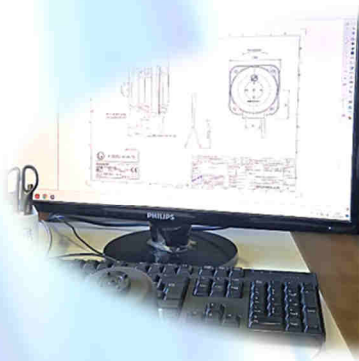
24050 Lurano (BG) – ITALY –

Tel +39.02.95474.03 ra.

Sales office: Italy = ita@mavib.com / Export = expo@mavib.com



for all your needs we support and study with you



Our R&D and Elect. Laboratory are at your disposal

MA-VIB SpA

24050 Lurano (BG) - ITALY -

Tel +39.02.95474.03 ra.

Sales office: Italy = ita@mavib.com / Export = expo@mavib.com

Indice Generale Assiali

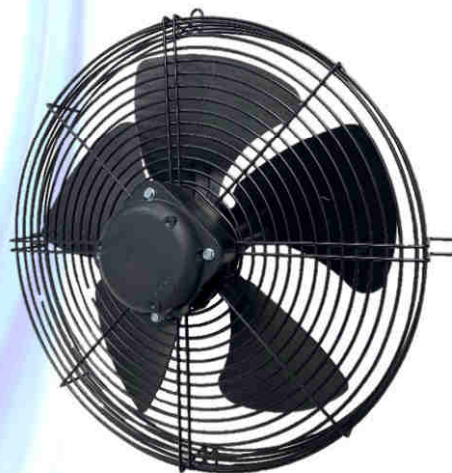
Index Catalogue Axial fans

Axial fans ECM		100-240Vac 50/60Hz	
Pag.	8	with ring & impeller	Ø 154mm - 300mm
	9	with fan guard & impeller	Ø 154mm - 350mm
	10	with bracket & impeller	Ø 154mm - 300mm
	11	Multi fixing motors for impeller	Ø 154mm - 300mm
Accessories / Performance Curves			
Pag.	12 / 13	Aluminium impellers	Ø 154mm - 350mm
	14	Bracket / Ring / Fan guard	Ø 154mm - 350mm
	15 / 20	Performance curves ECM	
	21	Connection	
2 pole shaded / PSC Axial fans		230Vac 50/60Hz	
Pag.	23 / 26	Compact	Ø 80mm - 172mm
	27 / 31	shaded pole	Ø 96mm - 172mm
	33 / 36	PSC	Ø 154mm - 300mm
	37 / 38	Accessories & Performance curves	
4 pole shaded Axial fans		230Vac 50/60Hz	
Pag.	39 / 40	with ring & impeller	Ø 154mm - 300mm
	41	with fan guard & impeller	Ø 154mm - 350mm
	42	with bracket & impeller	Ø 154mm - 300mm
	44 / 45	Multi fixing motor for impeller	Ø 154mm - 350mm
	46 / 54	Accessories & Performance curves	
4 & 6 Pole PSC & 3PH Axial fans		230Vac 50/60Hz - 400V 3PH 50/60Hz	
Pag.	55 / 56	4 pole PSC with fan guard or motor	Ø 300mm - 350mm
	57 / 58	4 or 6 pole PSC or 3PH fan guard or motor	Ø 300mm - 500mm
	59 / 60	Accessories Impellers / bracket / Ring / Fan guard	Ø 300mm - 500mm
	61 / 63	Performances curves	

New - generation



**ECM universal power supply:
from 100Vac to 240Vac**



- UA = 1 speed – 1350 rpm
- UD = 1 speed – 1350 rpm reverse on demand
- UE = 1 speed – 1350 rpm reverse on start
- UB = 2 speeds – 2100 or 1600 / 1350 rpm
- UC = variable speed 2500 or 1600 ÷ 800 rpm electrically isolated
by external signal PWM or 0÷10Vdc.
and output open collector signal



MA-VIB SpA

Via Castel Rozzone, 15 - 24050 Lurano (BG) – ITALY
Tel. +39.029547403 – Fax +39.029549825

Internet Web Site: www.mavib.com

Sales Office: Italy = ita@mavib.com Export = expo@mavib.com

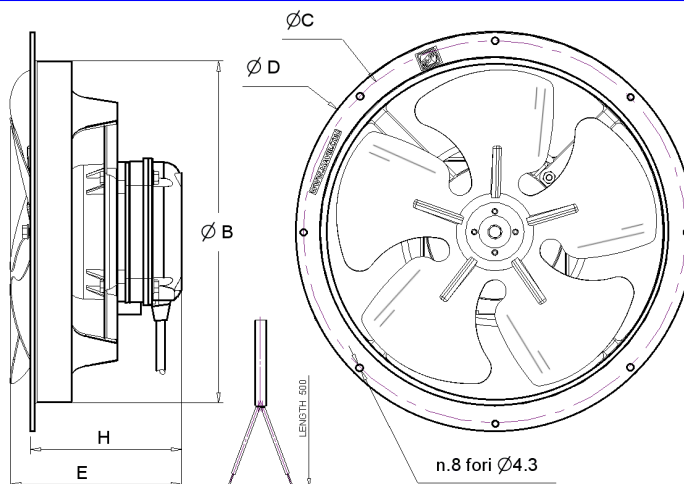
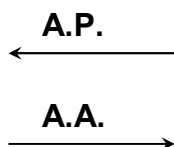


100V-240V ECM fan 08-15-21

with ring & impeller $\varnothing 154 \div \varnothing 254\text{mm}$

Serie S UB-UC

Air direction



Electronic Commutated Motor 08 / 15 / 21 universal power supply 100-240 V – 50/60Hz

Operation mode	S1	IP protection	44 (on demand 55)	Standard of ref.
Mounting position	All	Marking	CE + (*)	EN 60335-1/A15/2-24/2-89(*) Gas IIA
Motor bearing	Ball	Ambient temp.	-40°C ÷ +50°C	60034-1(REM) 60529(IP) 60079-15(*)
Motor protection	Electronically (1)	Max. intake air	+ 50°C	(*) II 3G Ex nA IIA T6
Locked rotor protec.	Yes	Max. °C storage	-40°C ÷ +80°C	2006/42/CE(Mac) 2014/35/UE(Low V.)
Insulation	B	Expect. life Ball Bear.	Over 60.000 h	2014/30/UE(EMC) 2015/863(RoHS3)

(1) Safety protection automatically reduces rpm if exceed W.in limit, reached min. rpm fan stop/restart 3 time and stop working after safe try time

on demand different rpm are available

Serie S ECM 100V-240V - 50/60Hz universal power supply

CODE	Lable data				Impeller			Dimensions				
	A.	W.in free air	W.in Max. Pa	Prot.	UB 2 speed (2)	UC PWM/0-10 (2)	code	A	B	C	D	E ^{±1,5}
S08UB... S08UC...	0,16	6	14	Electr.	1800-1350 rpm	2500÷800 rpm	EL.5.154.27AA	175	190	200	98	91
					1800-1350 rpm	2000÷800 rpm	EL.5.172.27AA(*)	190	208	222	99	87
					1600-1350 rpm	1800÷800 rpm	LC.5.200.28AA	215	236	246	99	93
					1600-1350 rpm	1600÷800 rpm	EL.5.230.23AA	250	266	276	100	91
S15UB... S15UC...	0,26	18	24	Electr.	2100-1500 rpm	2100÷800 rpm	LC.5.200.34AA	215	236	246	98	93
					1600-1350 rpm	1600÷800 rpm	EL.5.230.27AA	250	266	276	102	91
					1600-1350 rpm	1600÷800 rpm	EL.5.254.19AA(*)	280	290	300	103	91
S21UB... S21UC...	0,58	23	55	Electr.	1600-1350 rpm	1800÷800 rpm	EL.5.230.31AA	250	266	276	123	91
					1600-1350 rpm	1600÷800 rpm	LC.5.254.34AA(*)	280	290	300	129	108
					1350-1000 rpm	1350÷800 rpm	EL.5.300.27AA(*)	310	344	356	137	108

(*) only metal ring "C.."

(2) see on Performance curves, for combined impeller relative W.in min. & max.

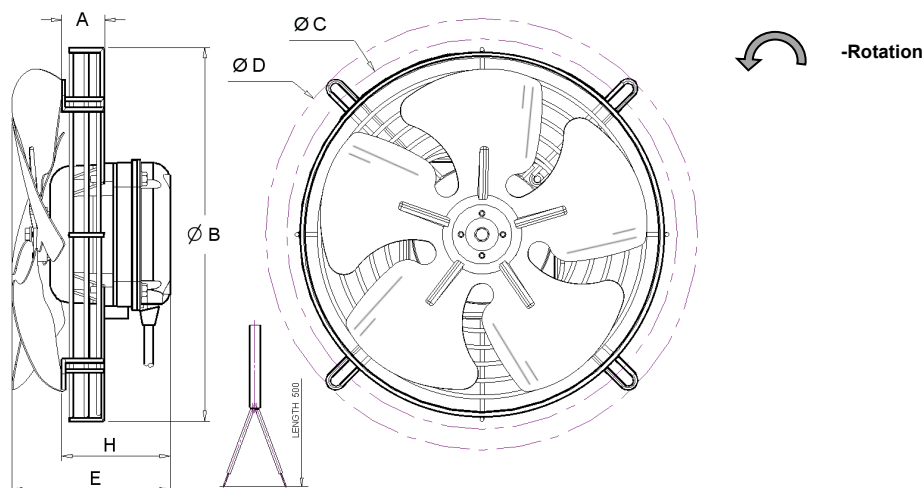
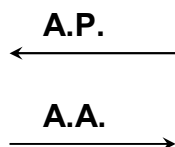
On demand are available version **UA** = 1 speed 1350rpm and the same in variant **UD** reverse on demand or in variant **UE** reverse on start

100V-240V ECM fan 08-15-21

with fan guard & impeller $\varnothing 154 \div \varnothing 254\text{mm}$

Serie R UB-UC

Air direction



Electronic Commutated Motor 08 / 15 / 21 universal power supply 100-240 V – 50/60Hz

Operation mode	S1	IP protection	44 (on demand 55)	Standard of ref.
Mounting position	All	Marking	CE + (*)	EN 60335-1/A15/2-24/2-89(*) Gas IIA
Motor bearing	Ball	Ambient temp.	-40°C ÷ +50°C	60034-1(REM) 60529(IP) 60079-15(*)
Motor protection	Electronically (1)	Max. intake air	+ 50°C	(*) II 3G Ex nA IIA T6
Locked rotor protec.	Yes	Max. °C storage	-40°C ÷ +80°C	2006/42/CE(Mac) 2014/35/UE(Low V.)
Insulation	B	Expect. life Ball Bear.	Over 60.000 h	2014/30/UE(EMC) 2015/863(RoHS3)

(1) Safety protection automatically reduces rpm if exceed W.in limit, reached min. rpm fan stop/restart 3 time and stop working after safe try time

on demand different rpm are available

Serie R ECM 100V-240V - 50/60Hz universal power supply

CODE	Lable data				Impeller			Dimensions					
	A.	W.in free air	W.in Max. Pa	Prot.	UB 2 speed (2)	UC PVM/0-10 (2)	code	A	B	C	D	E ^{±1.5}	H
R08UB... R08UC...	0,16	6	14	Electr.	1800-1350 rpm	2000+800 rpm	EL.5.172.27AA	26	192	208	226	99	66
					1600-1350 rpm	1800+800 rpm	LC.5.200.28AA	26	228	236	261	99	66
					1600-1350 rpm	1600+800 rpm	EL.5.230.23AA	26	252	280	295	100	66
R15UB... R15UC...	0,26	18	24	Electr.	2100-1500 rpm	2100+800 rpm	LC.5.200.34AA	26	228	236	261	98	66
					1600-1350 rpm	1600+800 rpm	EL.5.230.27AA	26	252	280	295	102	66
					1600-1350 rpm	1600+800 rpm	EL.5.254.19AA	26	271	289	309	103	66
R21UB... R21UC...	0,58	23	55	Electr.	1600-1350 rpm	1800+800 rpm	EL.5.230.31AA	26	252	280	295	123	81
					1600-1350 rpm	1600+800 rpm	LC.5.254.34AA	26	271	289	309	129	80
					1350-1000 rpm	1350+800 rpm	EL.5.300.27AA	47	346	365	390	137	104
					1350-1000 rpm	1350+800 rpm	EL.5.315.27AA	47	346	365	390	139	104
					1350-1000 rpm	1350+800 rpm	EL.5.350.23AA	53	388	420	438	128	110

(2) see on Performance curves, for combined impeller relative W.in min. & max.

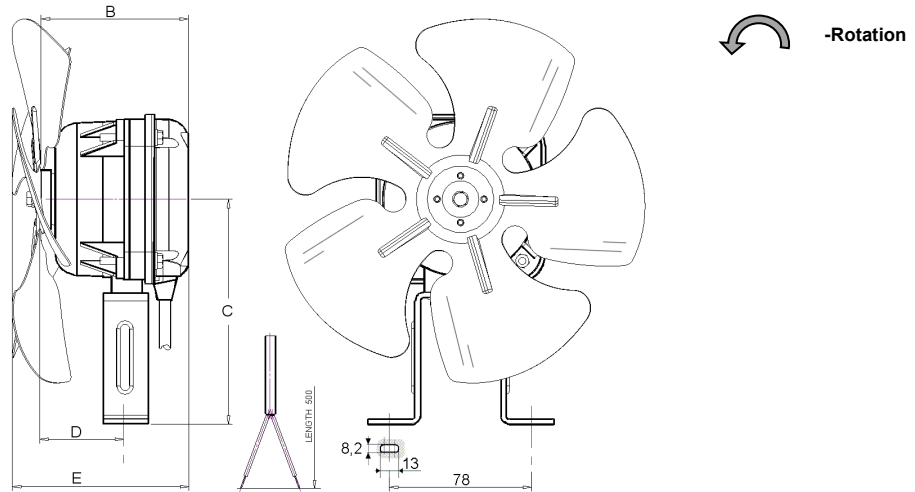
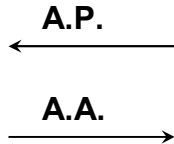
On demand are available version **UA** = 1 speed 1350rpm and the same in variant **UD** reverse on demand or in variant **UE** reverse on start

100V-240V ECM fan 08-15-21

with bracket & impeller

Serie E UB-UC

Air direction



Electronic Commutated Motor 08 / 15 / 21 universal power supply 100-240 V – 50/60Hz

Operation mode	S1	IP protection	44 (on demand 55)	Standard of ref.
Mounting position	All	Marking	CE + (*)	EN 60335-1/A15/2-24/2-89(*) Gas IIA
Motor bearing	Ball	Ambient temp.	-40°C ÷ +50°C	60034-1(REM) 60529(IP) 60079-15(*)
Motor protection	Electronically (1)	Max. intake air	+ 50°C	(*) II 3G Ex nA IIA T6
Locked rotor protec.	Yes	Max. °C storage	-40°C ÷ +80°C	2006/42/CE(Mac) 2014/35/UE(Low V.)
Insulation	B	Expect. life Ball Bear.	Over 60.000 h	2014/30/UE(EMC) 2015/863(RoHS3)

(1) Safety protection automatically reduces rpm if exceed W.in limit, reached min. rpm fan stop/restart 3 time and stop working after safe try time

on demand different rpm are available

Serie E ECM 100V-240V - 50/60Hz universal power supply

CODE	Lable data				Impeller			Dimensions					
	A.	W.in free air	W.in Max. Pa	Prot.	UB 2 speed (2)	UC PWM/0-10 (2)	code	A	B	C	D	E ^{±1,5}	H
E08UB... E08UC...	0,16	6	14	Electr.	1800-1350 rpm	2500+800 rpm	EL.5.154.27AA	80	90	46	98		
					1800-1350 rpm	2000+800 rpm	EL.5.172.27AA	80	103	46	99		
					1600-1350 rpm	1800+800 rpm	LC.5.200.28AA	80	122	46	99		
					1600-1350 rpm	1600+800 rpm	EL.5.230.23AA	80	134	46	100		
E15UB... E15UC...	0,26	18	24	Electr.	2100-1500 rpm	2100+800 rpm	LC.5.200.34AA	80	122	46	98		
					1600-1350 rpm	1600+800 rpm	EL.5.230.27AA	80	134	46	102		
					1600-1350 rpm	1600+800 rpm	EL.5.254.19AA	80	134	46	103		
E21UB... E21UC...	0,58	23	55	Electr.	1600-1350 rpm	1800+800 rpm	EL.5.230.31AA	100	134	48	123		
					1600-1350 rpm	1600+800 rpm	LC.5.254.34AA	100	134	48	129		
					1350-1000 rpm	1350+800 rpm	EL.5.300.27AA	100	160	48	137		

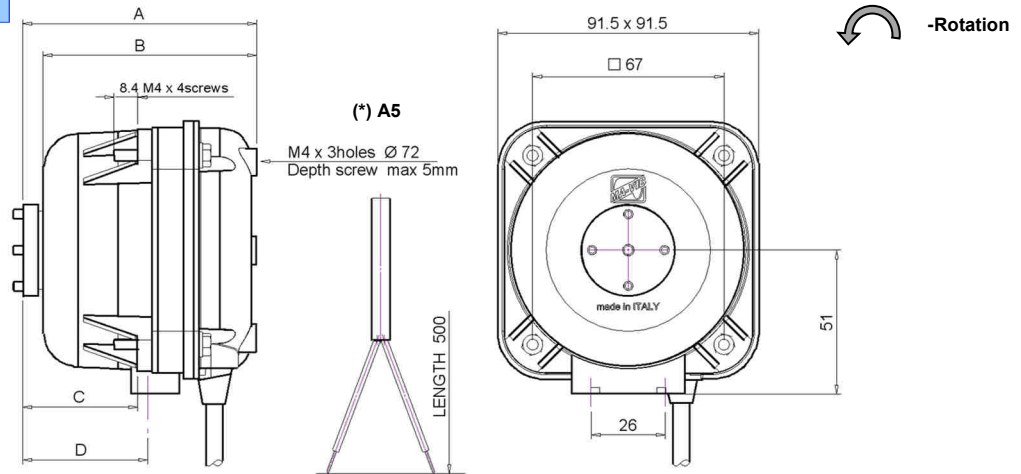
(2) see on Performance curves, for combined impeller relative W.in min. & max.

On demand are available version **UA** = 1 speed 1350rpm and the same in variant **UD** reverse on demand or in variant **UE** reverse on start

100V-240V ECM motors 08-15-21

multi fixing for impeller Ø 154 ÷ Ø 254mm

Serie EFCR UA



Electronic Commutated Motor 08 / 15 / 21 universal power supply 100-240 V – 50/60Hz

Operation mode	S1	IP protection	44 (on demand 55)	Standard of ref.
Mounting position	All	Marking	CE + (*)	EN 60335-1/A15/2-24/2-89(*) Gas IIA
Motor bearing	Ball	Ambient temp.	-40°C ÷ +50°C	60034-1(REM) 60529(IP) 60079-15(*)
Motor protection	Electronically (1)	Max. intake air	+ 50°C	(*) II 3G Ex nA IIA T6
Locked rotor protec.	Yes	Max. °C storage	-40°C ÷ +80°C	2006/42/CE(Mac) 2014/35/UE(Low V.)
Insulation	B	Expect. life Ball Bear.	Over 60.000 h	2014/30/UE(EMC) 2015/863(RoHS3)

(1) Safety protection automatically reduces rpm if exceed W.in limit, reached min. rpm fan stop/restart 3 time and stop working after safe try time

on demand different rpm are available

Serie EFCR 08/15/21 UA ECM 100V-240V - 50/60Hz universal power supply

CODE	Lable data						Dimensions				Impeller		W.in with impeller
	Speed	RPM 50/60Hz	A.	W.in free air	W.in Max. Pa	Prot.	A ^{±1.5}	B ^{±1.5}	C	D	Ø	incl. °	
EFCR08UA.A2/A5	1 Speed	1350	0,16	6	14	Electr.	80	73	40,5	44	154	19° + 31°	(2)
											172	19° + 31°	
											200	19° + 27°	
											230	19° + 23°	
EFCR15UA.A2/A5	1 Speed	1350	0,26	18	24	Electr.	80	73	40,5	44	200	27° + 34° (LC)	
											230	23° + 27°	
											254	19° + 28° (LC)	
EFCR21UA.A2/A5	1 Speed	1350	0,58	23	55	Electr.	100	90	43	46	230	27° + 31°	
											254	27° + 34° (LC)	
											300	19° + 27°	
											315	19° + 27°	
											350	19° + 23°	

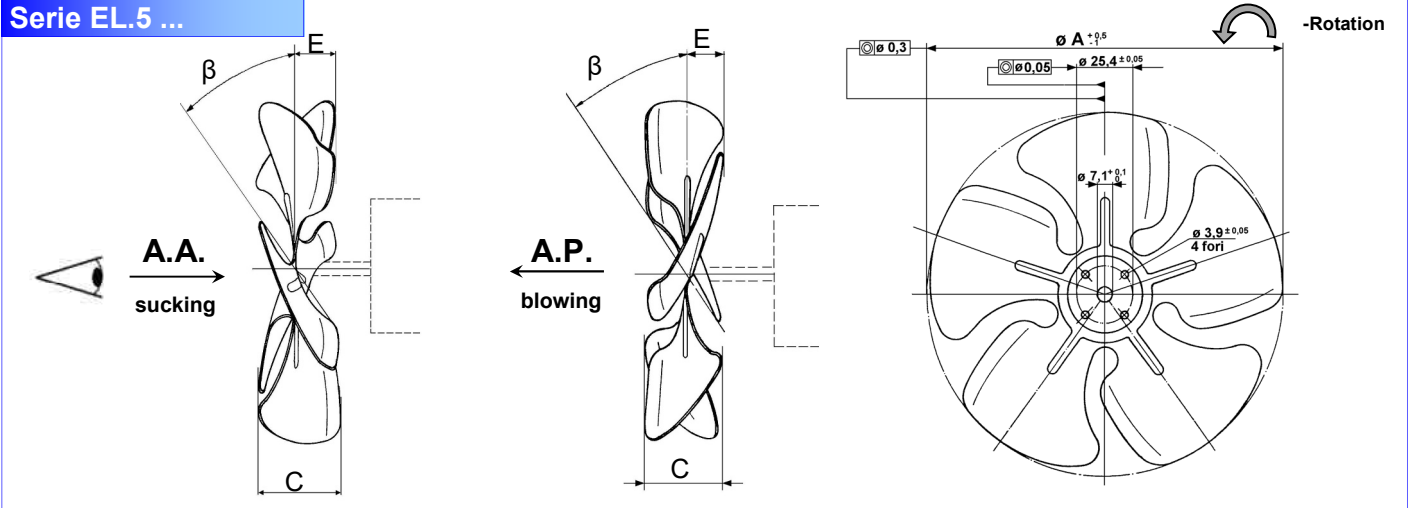
(2) see on Performance curves, for combined impeller relative W.in min. & max.

On demand is available : **UD** reverse on demand / **UE** reverse on start / **UB** version 2 speeds as per Serie S / R / E

Aluminium impeller

5 blades

Serie EL.5 ...



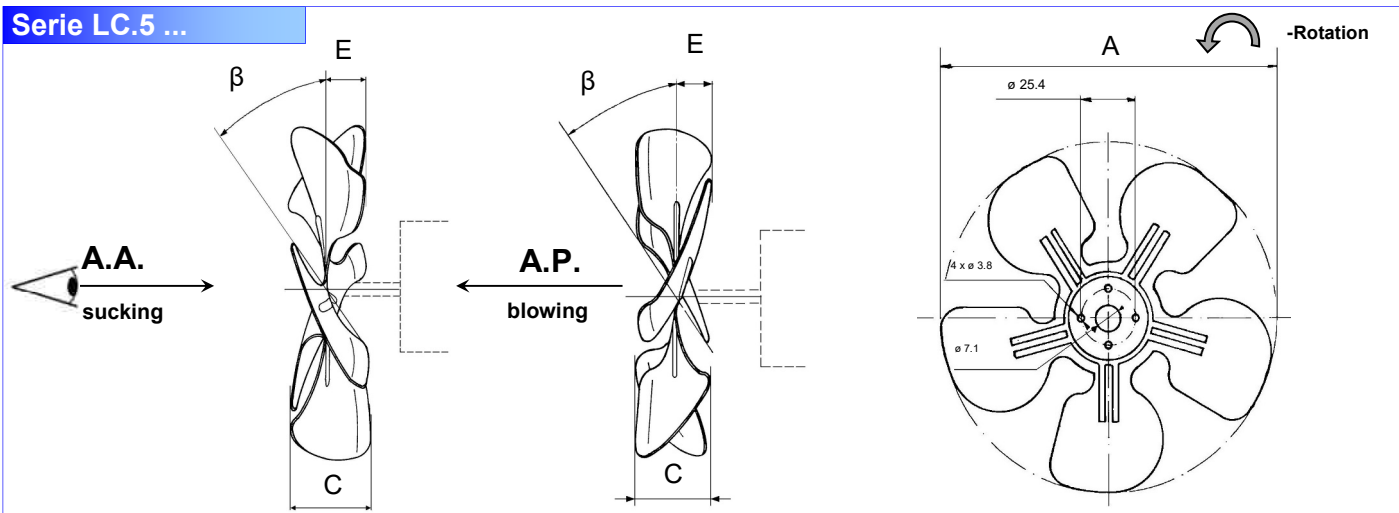
Serie EL.5 ...

CODE	Dimensions						Motors combination
	A	B	C ± 2mm		E ± 1.5mm		
	ø, mm	Incl, °	A.A.	A.P.	A.A.	A.P.	
EL . 5 . 154 . 19	154	19°	20	26	11	12	See each motor version
EL . 5 . 154 . 23	154	23°	25	30	12	12	
EL . 5 . 154 . 27	154	27°	29	35	12	16	
EL . 5 . 154 . 31	154	31°	32	41	12	20	
EL . 5 . 172 . 19	172	19°	27	26	12	15	
EL . 5 . 172 . 23	172	23°	31	31	14	17	
EL . 5 . 172 . 27	172	27°	36	36	16	16	
EL . 5 . 172 . 31	172	31°	38	41	18	20	
EL . 5 . 200 . 19	200	19°	31	32	15	16	
EL . 5 . 200 . 23	200	23°	35	36	17	17	
EL . 5 . 200 . 27	200	27°	42	43	19	18	
EL . 5 . 200 . 31	200	31°	45	49	22	24	
EL . 5 . 200 . 34	200	34°	-	51	-	26	
EL . 5 . 230 . 19	230	19°	31	37	20	14	
EL . 5 . 230 . 23	230	23°	41	40	21	24	
EL . 5 . 230 . 27	230	27°	47	47	25	26	
EL . 5 . 230 . 31	230	31°	54	52	30	24	
EL . 5 . 254 . 19	254	19°	34	39	20	17	
EL . 5 . 254 . 23	254	23°	45	45	21	24	
EL . 5 . 254 . 27	254	27°	53	52	27	27	
EL . 5 . 254 . 31	254	31°	61	58	34	27	
EL . 5 . 254 . 37	254	37°	-	70	-	28	
EL . 5 . 300 . 19	300	19°	43	42	25	19	
EL . 5 . 300 . 23	300	23°	50	54	22	24	
EL . 5 . 300 . 27	300	27°	61	59	23	26	
EL . 5 . 300 . 31	300	31°	-	67	-	33	
EL . 5 . 315 . 19	315	19°	51	-	25	-	
EL . 5 . 315 . 23	315	23°	61	-	29	-	
EL . 5 . 315 . 27	315	27°	71	-	32	-	
EL . 5 . 315 . 31	315	31°	-	-	-	-	
EL . 5 . 350 . 19	350	19°	44	-	23	-	
EL . 5 . 350 . 23	350	23°	52	-	24	-	
EL . 5 . 350 . 27	350	27°	66	-	30	-	
EL . 5 . 350 . 31	350	31°	71	-	33	-	

Aluminium impeller

5 blades

Serie LC.5 ...



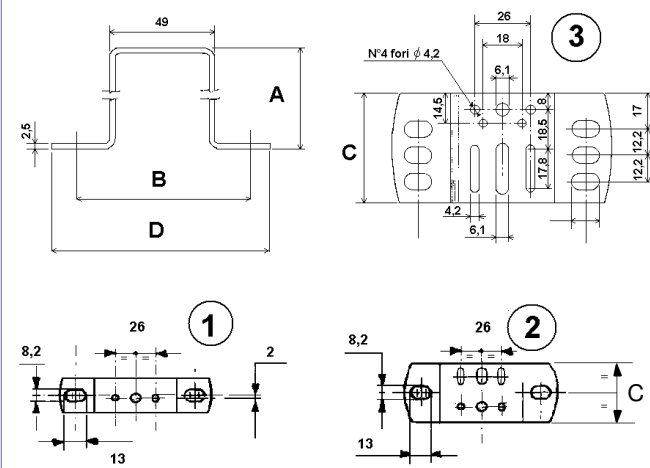
Serie LC.5 ...

CODE	Dimensions						Motors combination
	A	β	C \pm 2mm		E \pm 1.5mm		
	\emptyset , mm	Incl, °	A.A.	A.P.	A.A.	A.P.	
LC . 5 . 172 . 22	172	22°					See each motor version
LC . 5 . 172 . 28	172	28°	36		17		
LC . 5 . 172 . 34	172	34°	42		26		
LC . 5 . 200 . 22	200	22°					
LC . 5 . 200 . 28	200	28°	37		18		
LC . 5 . 200 . 34	200	34°	46		28		
LC . 5 . 254 . 22	254	22°					
LC . 5 . 254 . 28	254	28°	39		19		
LC . 5 . 254 . 34	254	34°	50		21		

Accessories

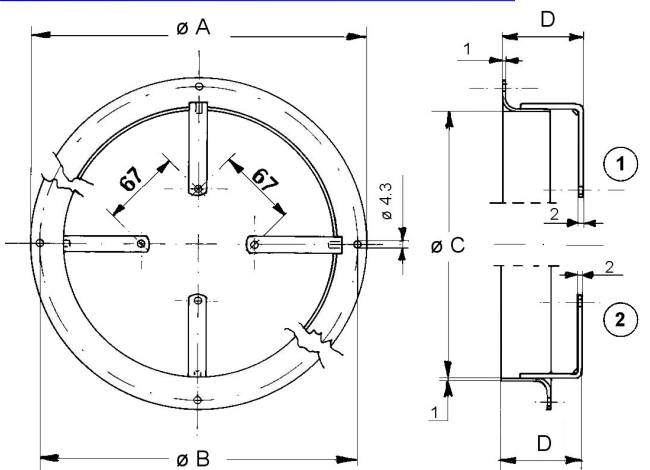
universal ECM motors 08-15-21

Staffe - Bracket - Support - Fuß



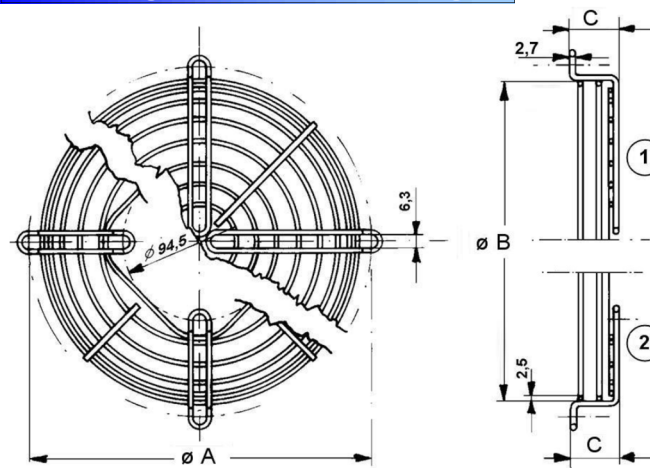
CODE	Dimensions				Pacco mm	Fig.
	A	B	C	D		
087.0119.0000	39	78	25	101	13/20	1
087.0102.0000	52	78	25	101	13/20	
087.0100.0000	71	78	25	101	13/20	
087.0101.0000	83	78	25	101	20/25	2
087.0116.0000	83	78	42	101	30	3
087.0120.0000	83	78	52	101	30/40/45	
087.0125.0000	108,5	78	52	101		3
087.0123.0000	55	130	25	153	13/20	1
087.0212.0000	72	133	25	156	13/20	
087.0211.0000	72	159	25	182	13/20	
087.0213.0000	110,5	154	52	177	30/40/45	3

Bocchigli - Ring - Virole - Ring



CODE	Dimensions				Impeller ø, mm	Fig.
	A	B	C	D		
079.0301.0000	200	190	162	46	154	1
079.0303.0000	222	208	180	46,5	172	
079.0305.0000	246	236	208	47	200	
079.0309.0000	276	266	238	51	230	
079.0308.0000	300	290	262	51	254	
079.0310.0000	356	344	308	51	300	2
079.0201.0000	200	190	162	46	154	
079.0203.0000	222	208	180	46,5	172	
079.0205.0000	246	236	208	46,5	200	
079.0212.0000	276	266	238	51	230	
079.0209.0000	300	290	262	51	254	
079.0210.0000	356	344	308	51	300	

Reti - Fanguard - Grille - Schutzgitter

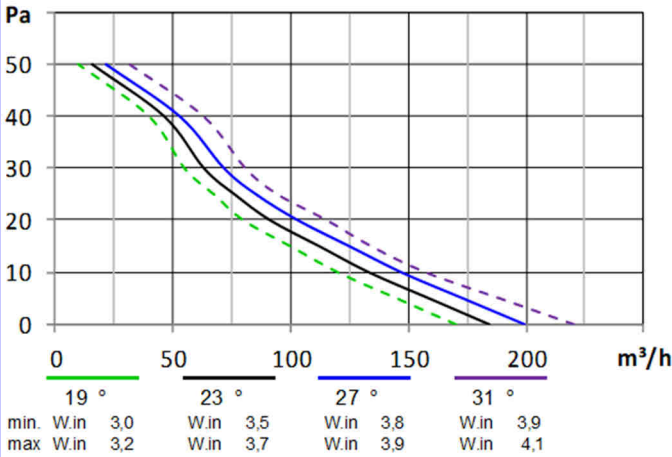


CODE	Dimensions			Impeller ø, mm	Fig.
	A	B	C		
036.0304.0000	208	188	26	172	1
036.0312.0000	236	226	26	200	
036.0300.0000	270	246	26	230	
036.0301.0000	290	267	36	254	
036.0412.0005	365	340	50	300	
036.0305.0000	208	188	26	172	2
036.0203.0000	236	223	26	200	
036.0200.0000	280	246	26	230	
036.0201.0000	289	266	26	254	
036.0201.0037	289	266	37	254	
036.0412.0000	365	340	47	300	
036.0354.0000	420	380	53	350	

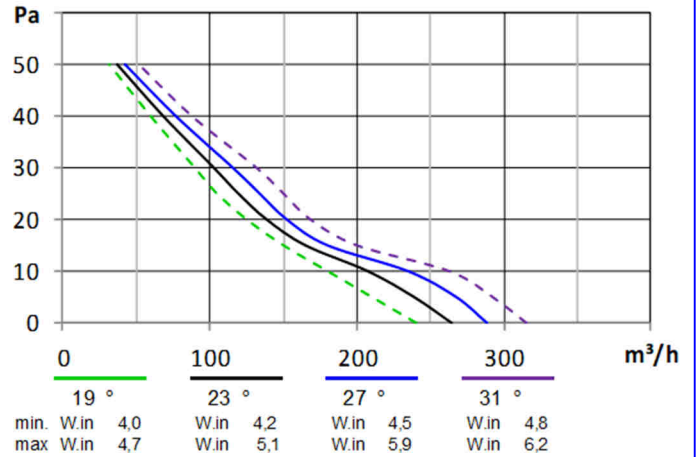
Performances curves

1 speed ECM fans Ø154mm ÷ Ø230mm

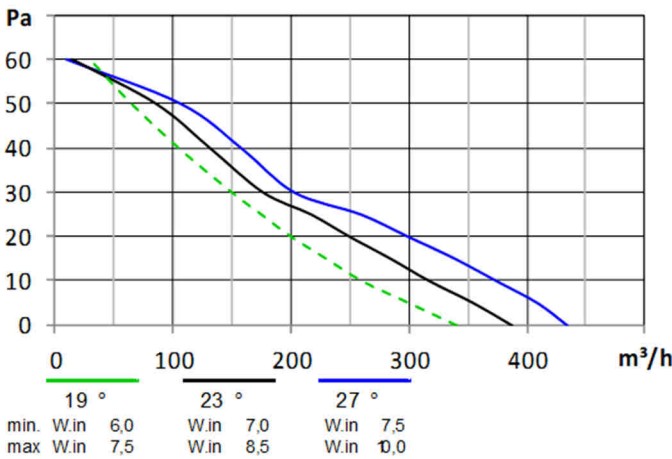
08UA ... Ø154 1350rpm



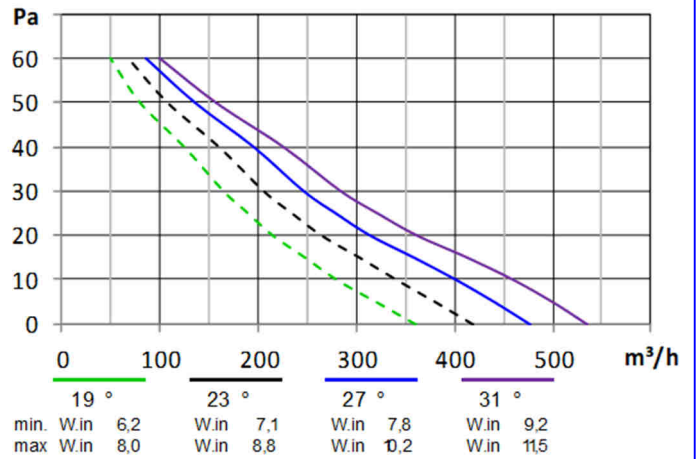
08UA ... Ø172 1350rpm



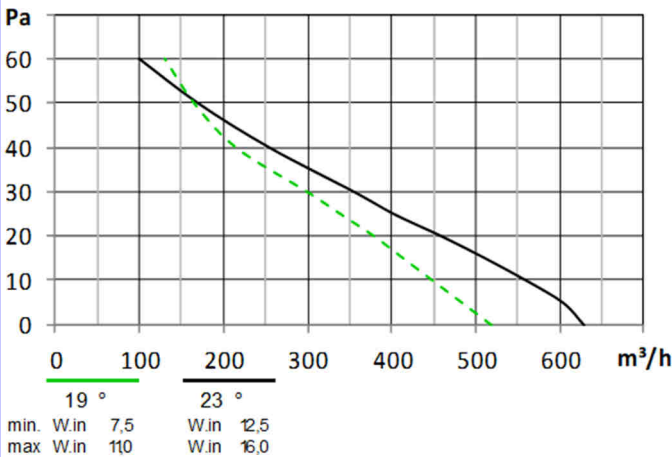
08UA ... Ø200 1350rpm



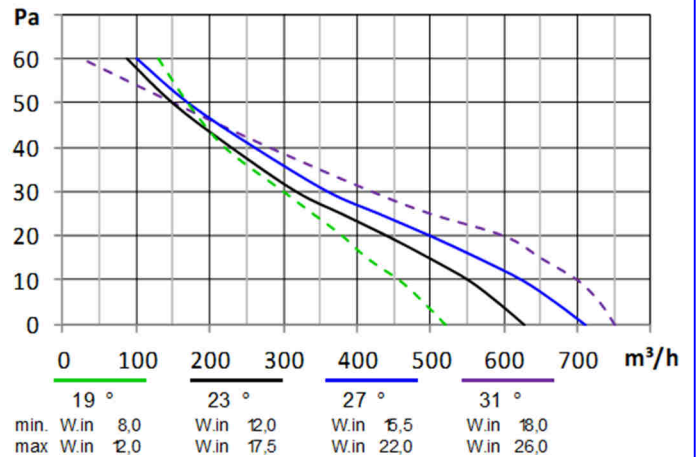
15UA ... Ø200 1350rpm



08UA ... Ø230 1350rpm



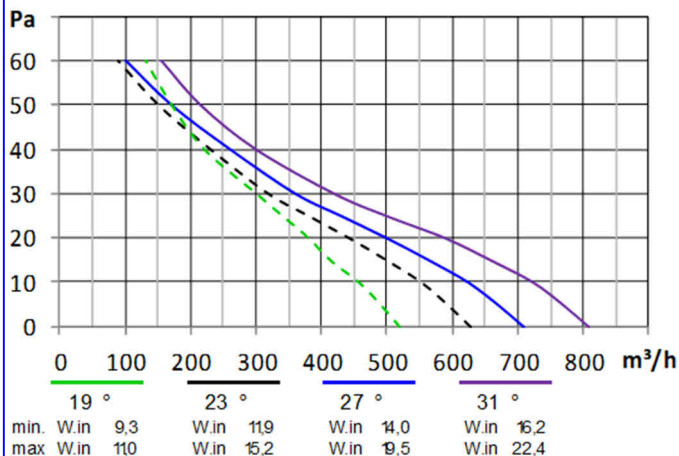
15UA ... Ø230 1350rpm



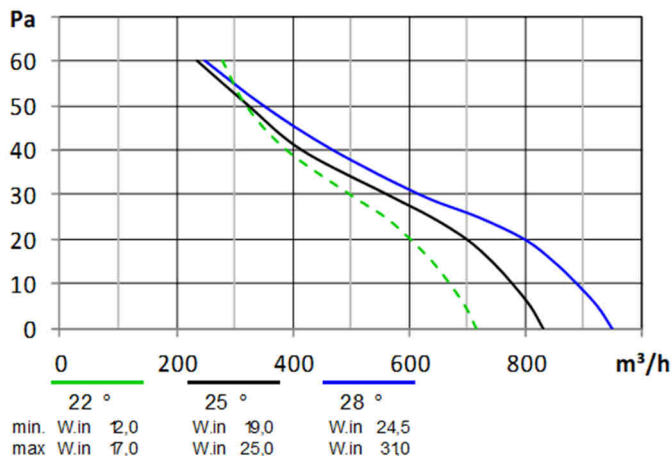
Performances curves

1 speed ECM fans Ø230mm ÷ Ø350mm

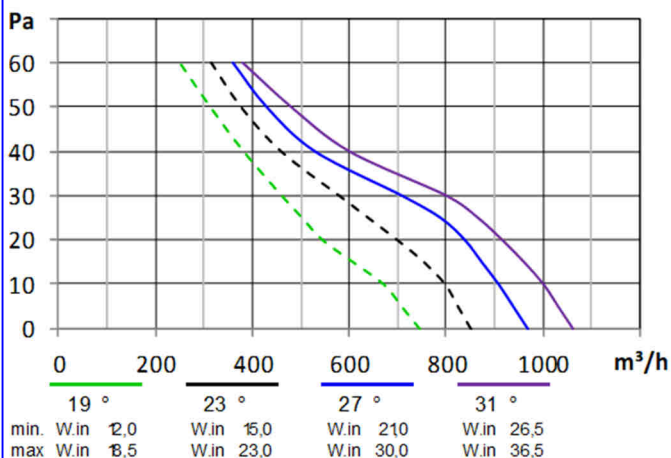
21UA ... Ø230 1350rpm



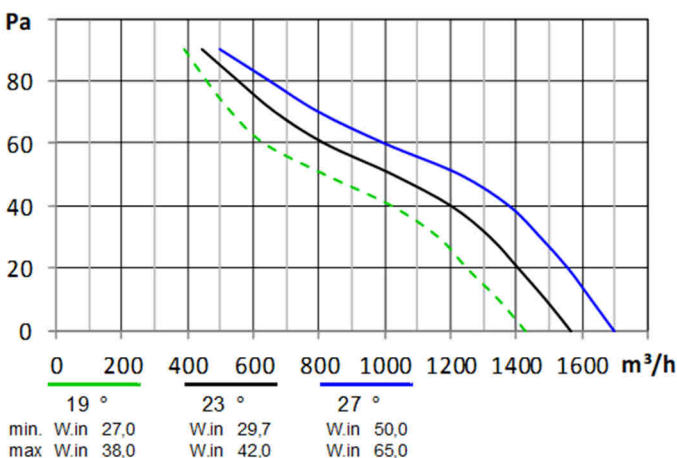
15UA ... Ø254 1350rpm



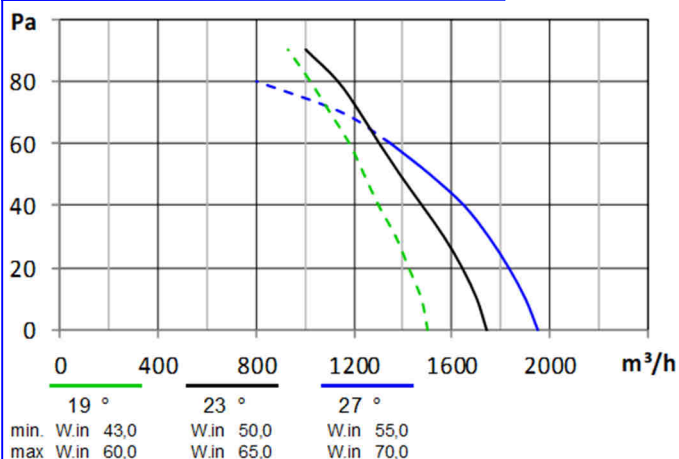
21UA ... Ø254 1350rpm



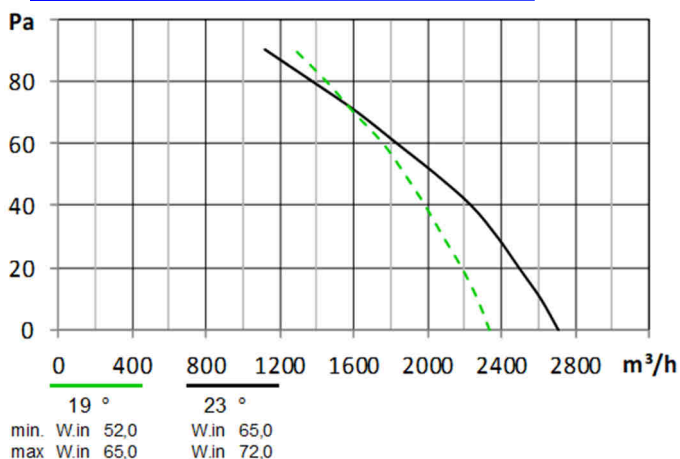
21UA ... Ø300 1350rpm



21UA ... Ø315 1350rpm



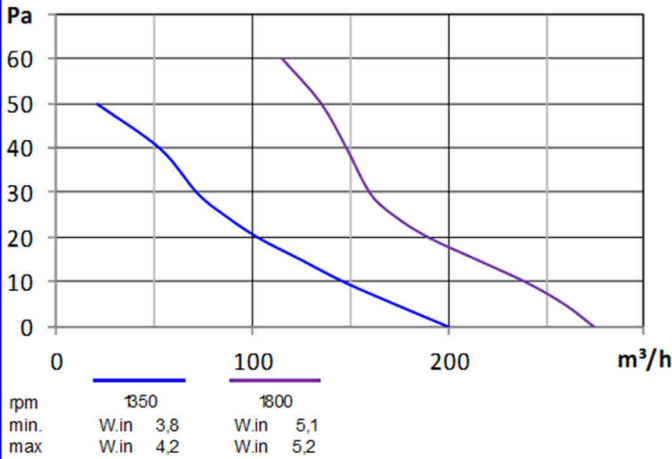
21UA ... Ø350 1350rpm



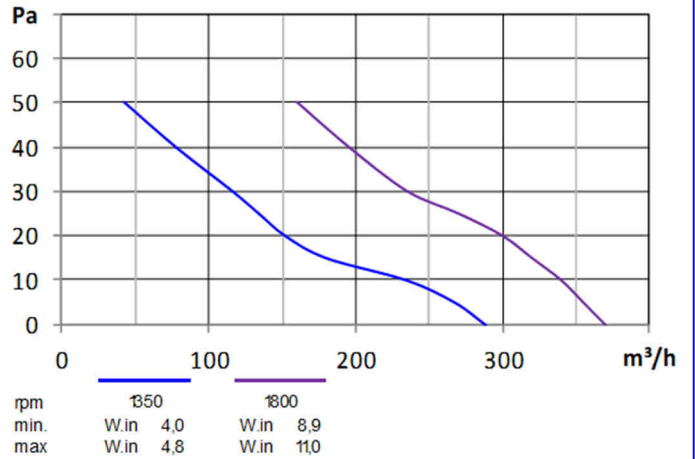
Performances curves

2 speed ECM fans Ø154mm ÷ Ø230mm

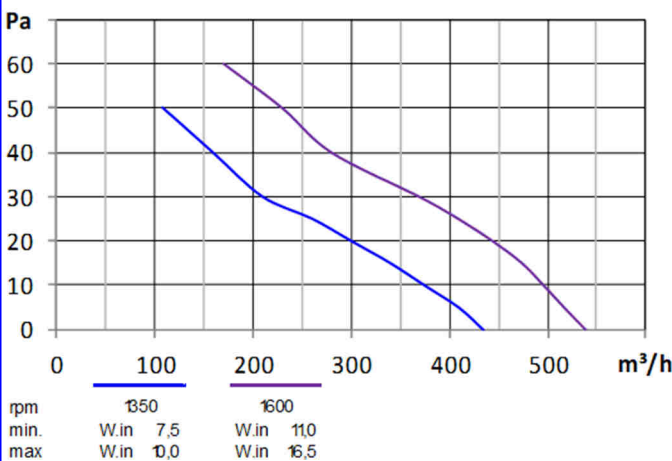
08UB.. Ø154-27° 1800-1350rpm



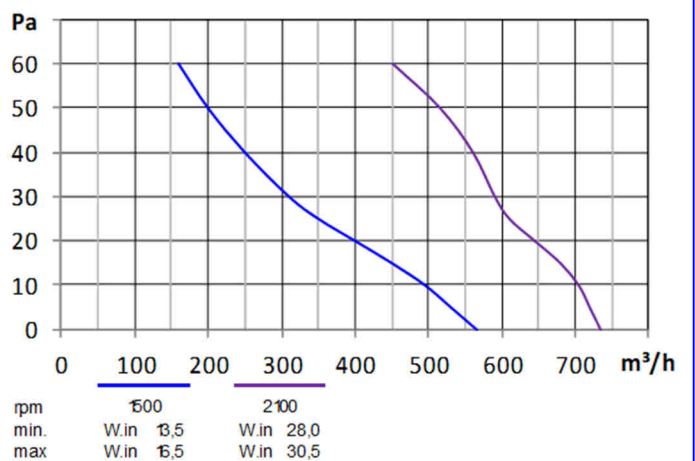
08UB.. Ø172-27° 1800-1350rpm



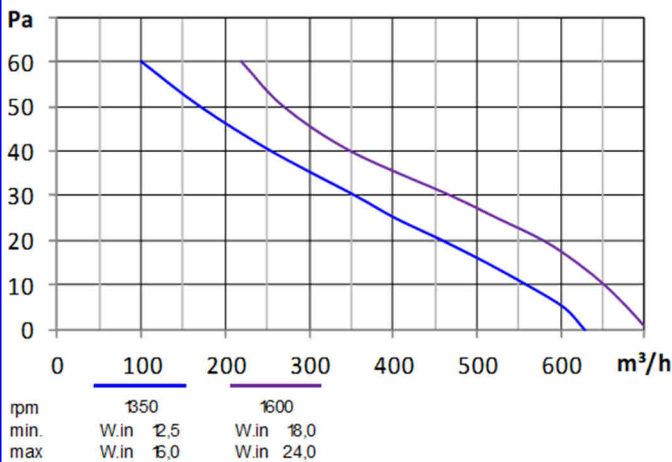
08UB.. Ø200-28° 1600-1350rpm



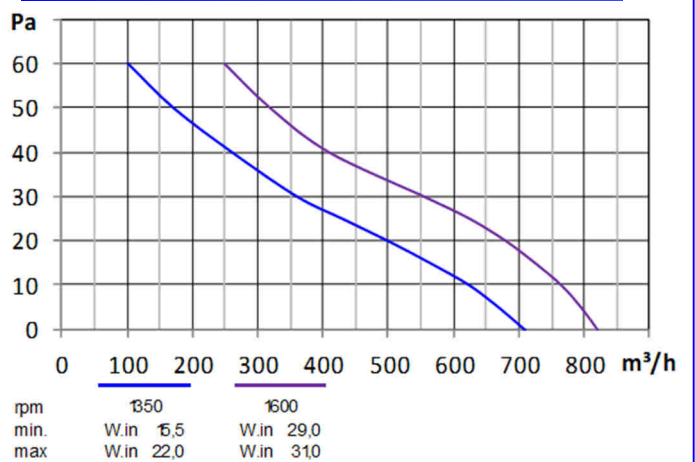
15UB.. Ø200-34° 2100-1500rpm



08UB.. Ø230-23° 1600-1350rpm



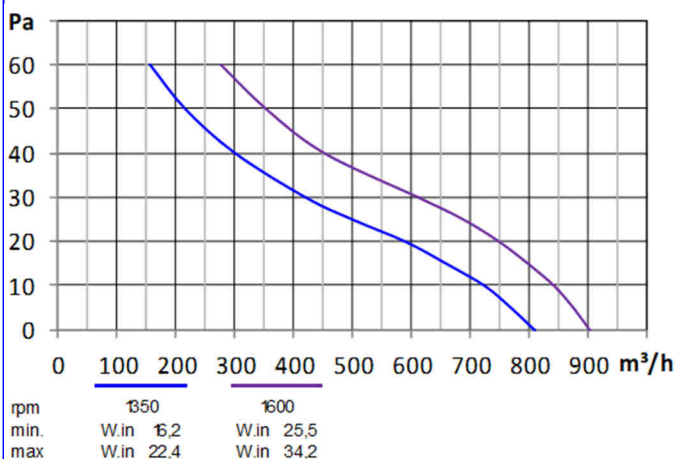
15UB.. Ø230-27° 1600-1350rpm



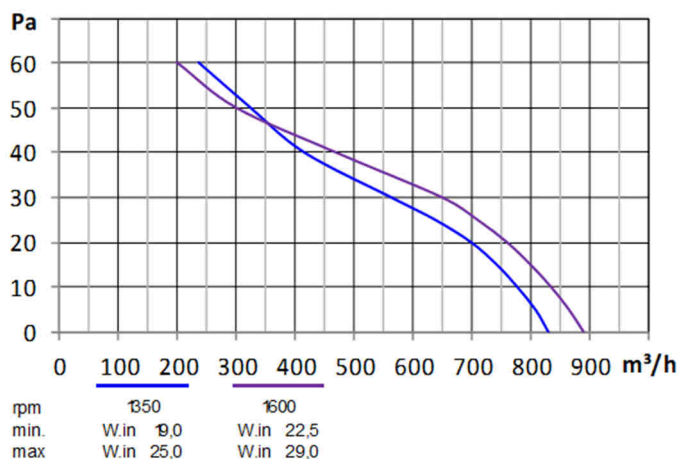
Performances curves

2 speed ECM fans Ø230mm ÷ Ø350mm

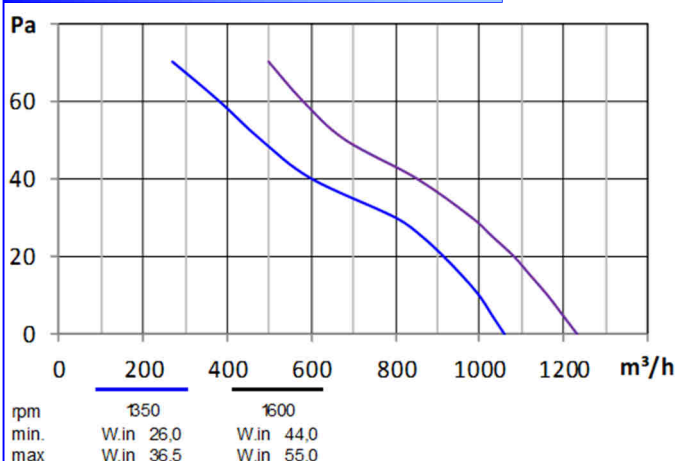
21UB.. Ø230-31° 1600-1350rpm



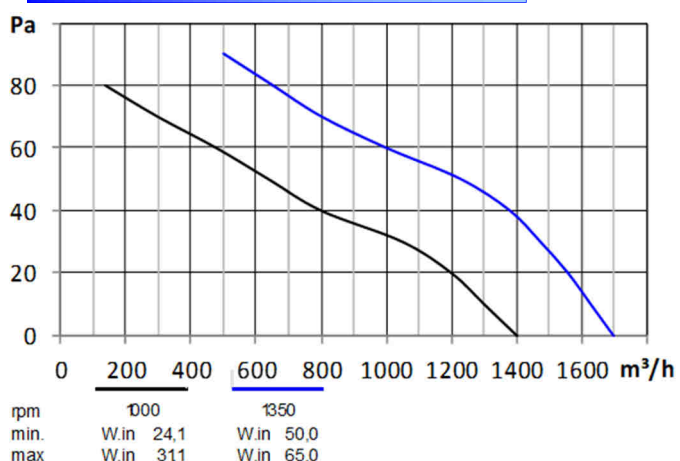
15UB.. Ø254-19° 1600-1350rpm



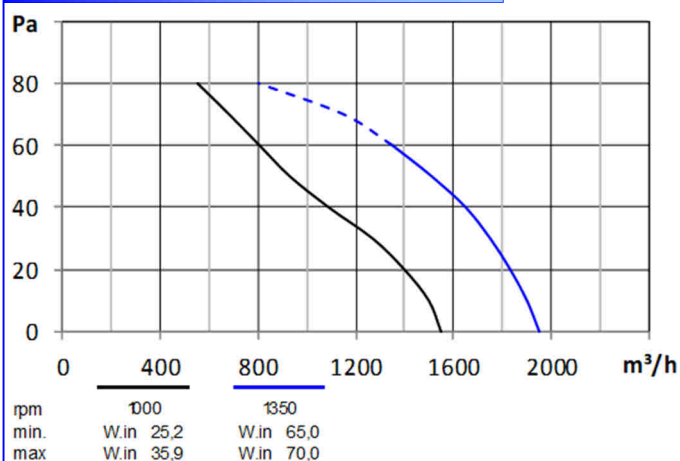
21UB.. Ø254-34° 1600-1350rpm



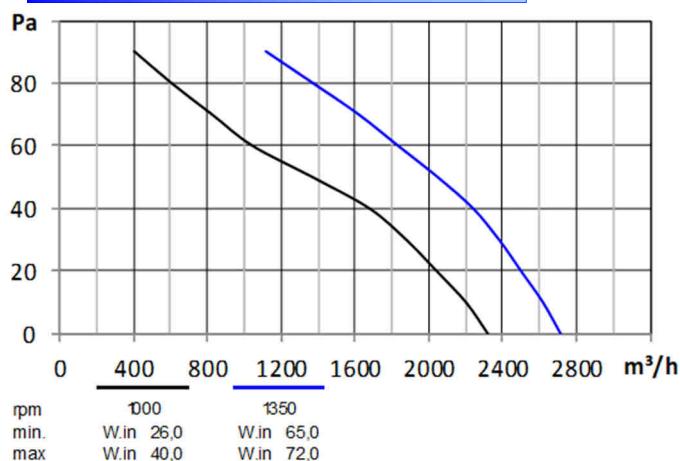
21UB.. Ø300-27° 1350-1000rpm



21UB.. Ø315-27° 1350-1000rpm



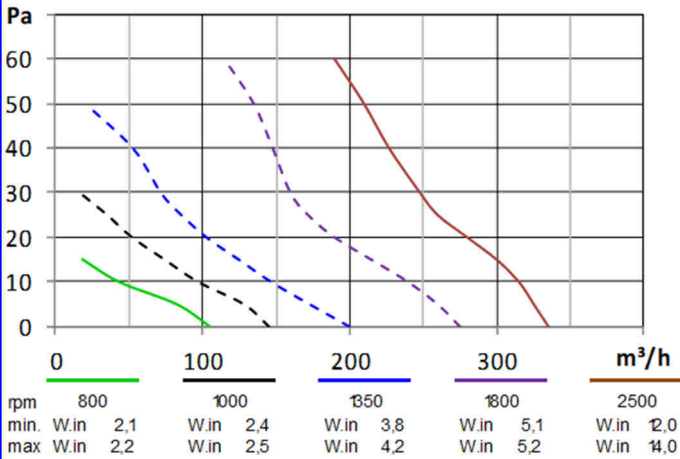
21UB.. Ø350-23° 1350-1000rpm



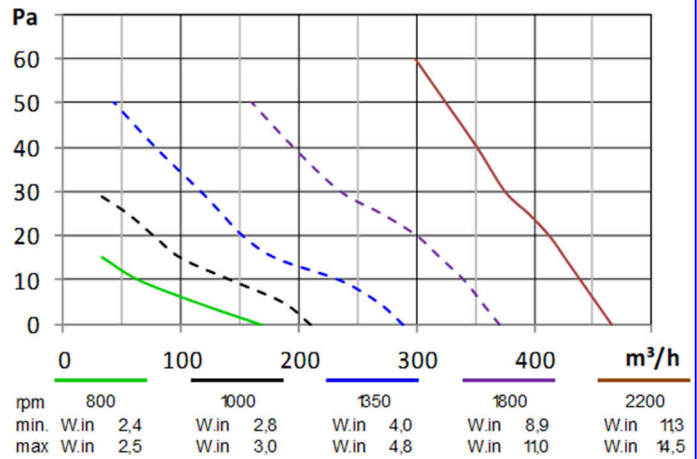
Performances curves

0-10 variable speed ECM fans Ø154 ÷ Ø230mm

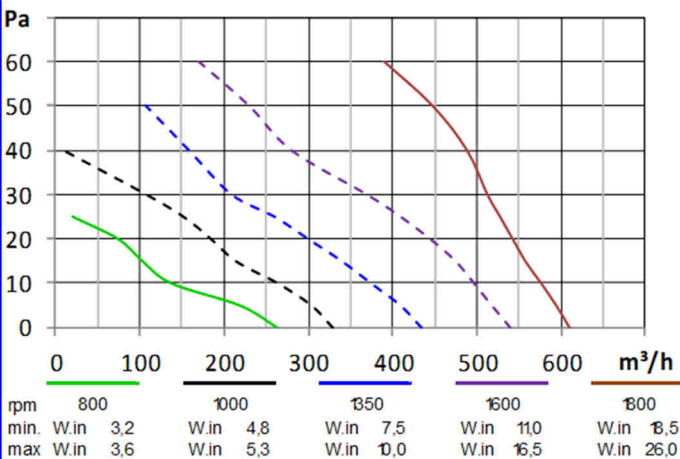
08UC.. Ø154-27° 2500 ÷ 800rpm



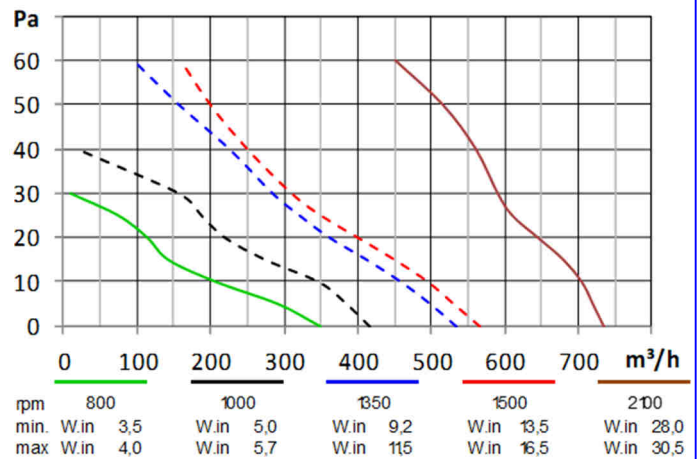
08UC.. Ø172-27° 2200 ÷ 800rpm



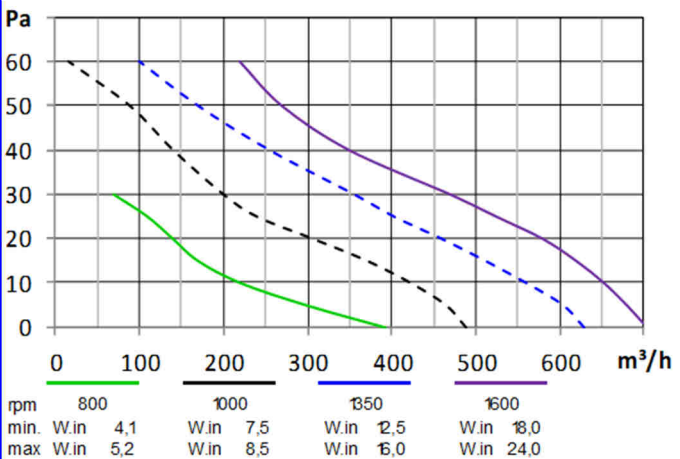
08UC.. Ø200-28° 1800 ÷ 800rpm



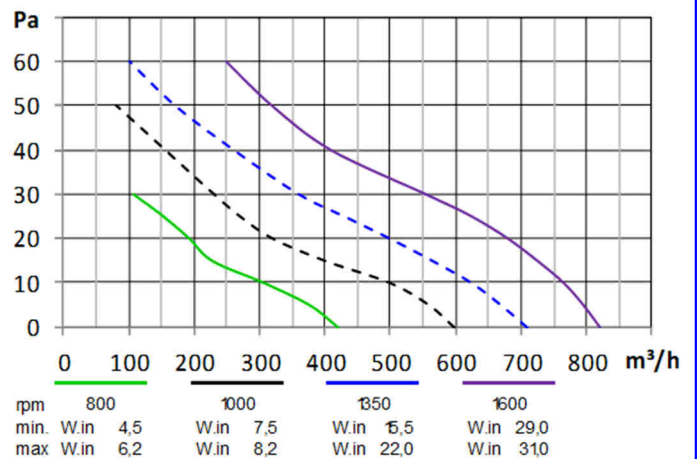
15UC.. Ø200-34° 2100 ÷ 800rpm



08UC.. Ø230-23° 1600 ÷ 800rpm



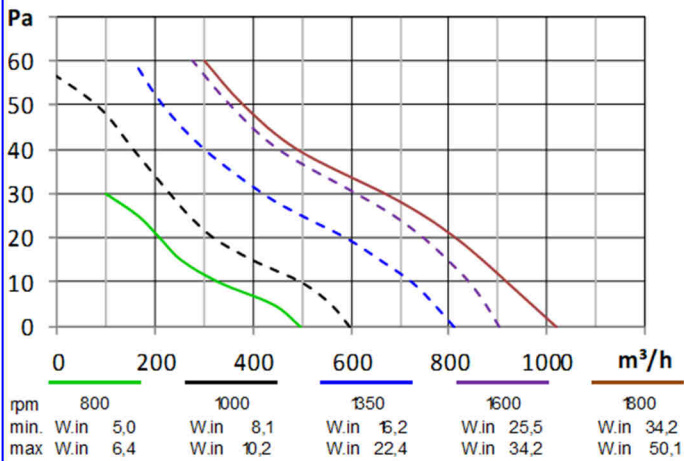
15UC.. Ø230-27° 1600 ÷ 800rpm



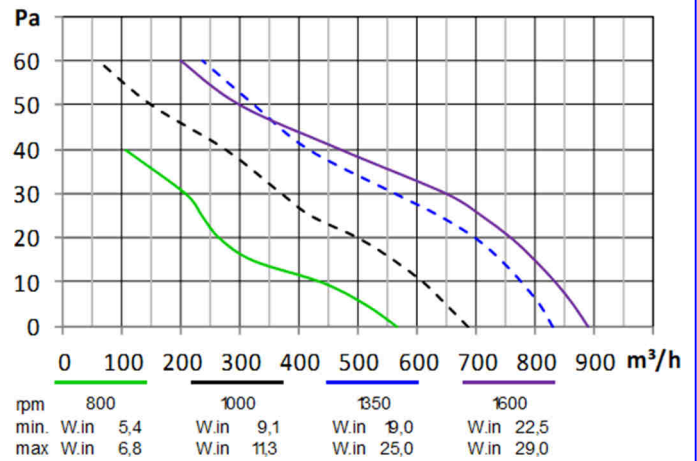
Performances curves

0-10 variable speed ECM fans Ø230 ÷ Ø350mm

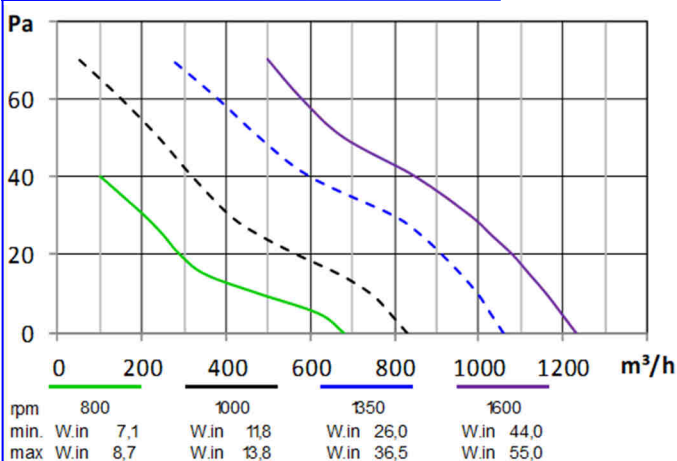
21UC.. Ø230-31° 1800 ÷ 800rpm



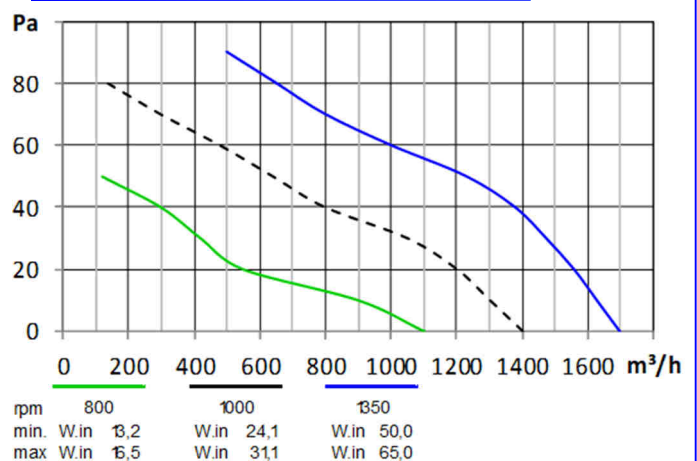
15UC.. Ø254-19° 1600 ÷ 800rpm



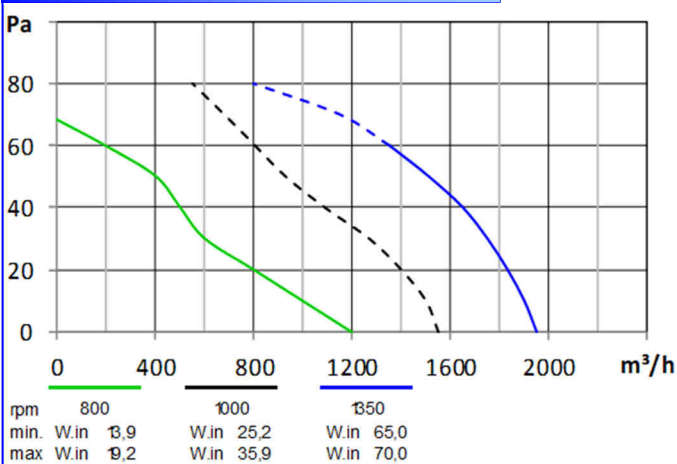
21UC.. Ø254-34° 1600 ÷ 800rpm



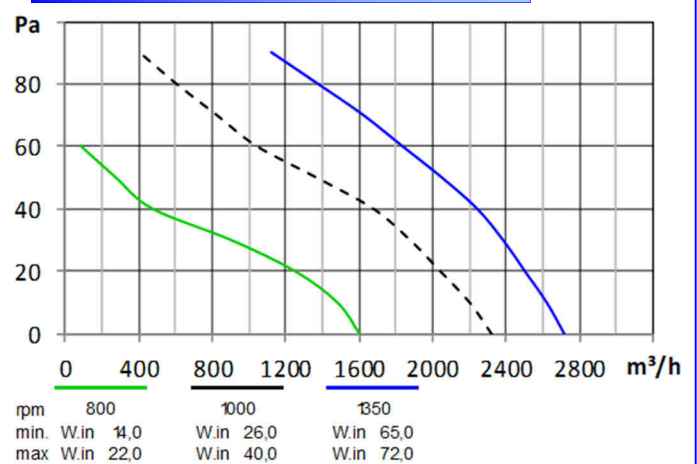
21UC.. Ø300-27° 1350 ÷ 800rpm



21UC.. Ø315-27° 1350 ÷ 800rpm



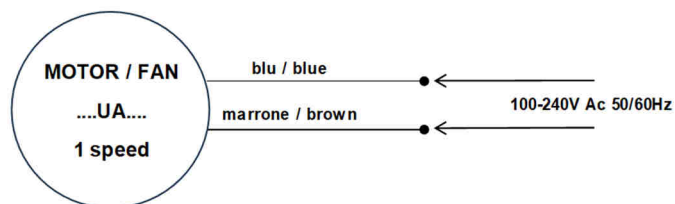
21UC.. Ø350-23° 1350 ÷ 800rpm



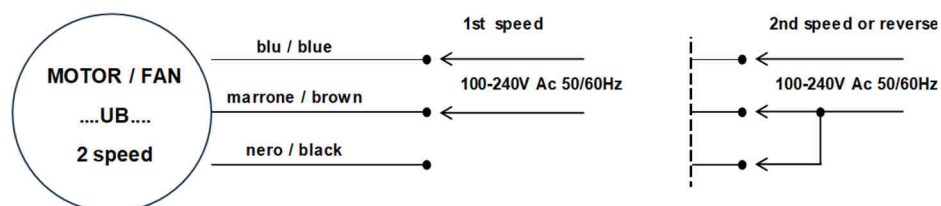
ECM electric connection

UA - UB - UC

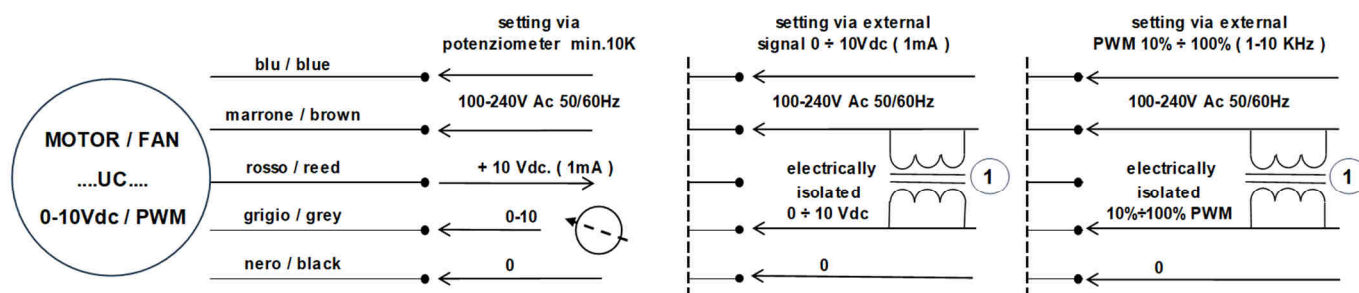
Serie UA - 1 speed



Serie UB - 2 speed or reverse



Serie UC - variable speed



① on demand OPTO-ISOLATOR cod. 131.0372.0000

Our Axial fans view

AS - Compact fans



From 80x80x25mm to 172x150x51mm

EVE1 – 2 pole Axial fans



2.800 rpm from blade Ø 96 mm to Ø 300 mm

EVE2 – 2 pole Axial fans



2.800 rpm, from blade Ø 154 mm to Ø 300 mm

EVE – 4 pole Axial fans



1.300 rpm, from blade Ø 154 mm to Ø 300 mm

UA – Energy Saving fans – 1 speed



from blade Ø 154 mm to Ø 350 mm



UB – Energy Saving fans – 2 speed



from blade Ø 154 mm to Ø 350 mm



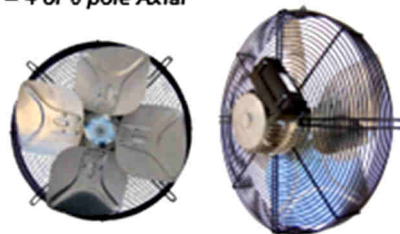
UC – Energy Saving – speed control 0-10



from blade Ø 154 mm to Ø 350 mm



EVE3 – 4 or 6 pole Axial



from blade Ø 300 mm to Ø 500 mm

Compact fans

Ø 80mm ÷ Ø172mm



Compatti

MOTORE :

2 poli a poli schermati
o a condensatore

CARCASSA :

In alluminio pressofuso , verniciata
di nero

VENTOLA :

In materiale plastico PBT + 30%
fibra di vetro , UL94V-0

CONNESSIONE

n° 2 faston 2,8 x 0,5 mm o
cavo da 300mm

VOLTAGGI :

230V - 50/60Hz. (207V - 244V)
115V- 50/60Hz. (90V - 127V)
24V DC (20,4V - 27,8V)
12V DC (10,2V - 13,8V)

PROTEZIONE : IP40 / IP55

ISOLAMENTO : " B "

TEMPERATURA DI UTILIZZO :

da -10° C a + 70° C per bronzine
da -20° C a +80° C per cuscinetti

FUNZIONALITA' : (S1)

Continua in tutte le posizioni

MARCATURA :

In accordo a EN 60335.1

Compact Fans

MOTOR :

2 pole shaded pole or
PSC version

HOUSING :

Die-casting aluminium , black
painted

IMPELLER :

Thermoplastic PBT + 30% fiber
glass UL94V-0

CONNECTION

n° 2 terminals 2,8 x 0,5 or
2 leads 300mm

VOLTAGE RANGE :

230V - 50/60Hz. (207V - 244V)
115V- 50/60Hz. (90V - 127V)
24V DC (20,4V - 27,8V)
12V DC (10,2V - 13,8V)

PROTECTION : IP40 / IP55

INSULATION : " B "

TEMPERATURE RANGE :

From -10° C to + 70° C sleeve bearing
From -20° C to + 80° C ball bearing

OPERATION : (S1)

Continuous in all positions

MARKED :

According to EN 60335.1

Ventilateurs Compacts

MOTEUR :

2 pôles " shaded pole "
ou à condensateur

CARCASSE :

Pressofusion d' aluminium
vernìe en noir

HELICE :

Plastique PBT + 30% de fibre
de verre UL94V-0

CONNECTION

n° 2 cosse 2,8 x 0,5 ou
câbles 300 mm

VOLTAGE :

230V - 50/60Hz. (207V - 244V)
115V- 50/60Hz. (90V - 127V)
24V DC (20,4V - 27,8V)
12V DC (10,2V - 13,8V)

PROTECTION : IP40 / IP55

ISOLATION : " B "

TEMPERATURE D'EXERCICE :

de -10° C à + 70° C paliers
de -20° C à +80° C roulement

TRAVAIL : (S1)

Continu en toute position

MARQUAGE :

En accord avec EN 60335.1

Kompaktventilatoren

MOTOR :

2 polige Spaltpolmotoren
oder Kondensatormotoren

VENTILATORGEHAUSE :

Druckguß Wandring Aluminium
schwarz Einbrennlackiert

AXIALLÜFTERRAD :

Kunstharzpreßstoff PBT+30%
Glasfaser UL 94V-0

NETZANSCHLUß :

Flachstecker 2,8x0,5 oder Kabel
300mm lang

SPANNUNG :

230V - 50/60Hz. (207V - 244V)
115V- 50/60Hz. (90V - 127V)
24V DC (20,4V - 27,8V)
12V DC (10,2V - 13,8V)

SCHUTZART : IP40

ISOLATIONSKLASSE : " B "

TEMPERATUR BEREICH :

Von -10° C bis +70° C Gleitlager
Von -20° C bis + 80° C Kugellager

BETRIEBSART : (S1)

Fortdauernd in den allen Lagen

ZULASSUNGEN :

Abkommen mit EN 60335.1

Compact fans

Ø 119mm ÷ Ø172mm

Serie AS - AE

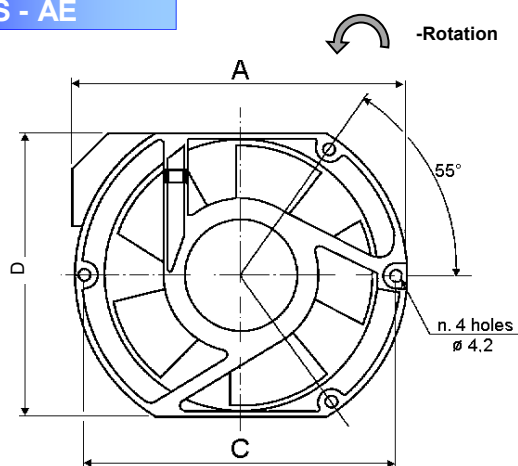


Fig. 2

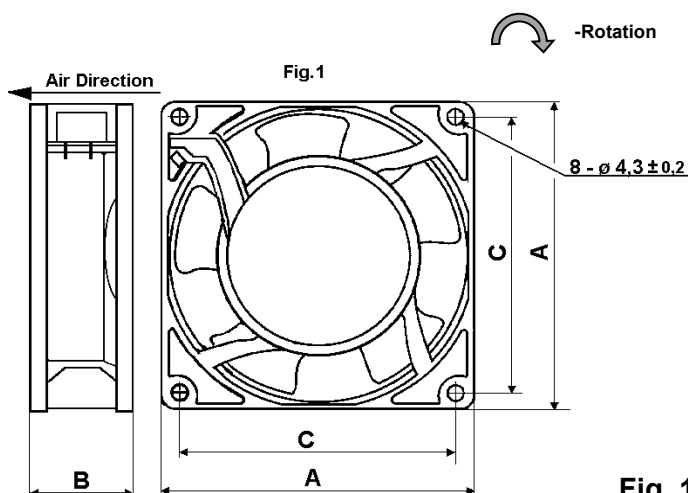


Fig. 1

Serie AS ... : 230V - 50/60Hz - marcati classe B, in accordo a EN.60335.1

CODE	Label data				Dimensions			Airflow max, m ³ /h 50Hz/60Hz	Noise dB(A) 50Hz/60Hz	Connection	Bearing	Fig.	
	A 50Hz/60Hz	W _{in} 50Hz/60Hz	RPM 50Hz/60Hz	Protection Electric IP	A	B	C						
AS11925BR1CY	0,10	14	2300/2800	Imped.	40	119	25,5	104	112/132	42/46	Cable Terminal	Sleeve	1
AS11925BR1TY													
AS11925CU1CY	0,10	14	2300/2800	Imped.	40 55	119	25,5	104	112/132	42/46	Cable Terminal	Ball	1
AS11925CU1TYH													
AS11938BR1CY	0,12/0,10	20/16	2650/3100	Imped.	40	119	38,5	104	142/150	43/48	Cable Terminal	Sleeve	1
AS11938BR1TY													
AS11938CU2TYH	0,08/0,07	13/12	2400/2300	Imped.	55	119	38,5	104	138/133	36/34	Terminal	Ball	1
AS11938CU3TYH	0,06/0,05	10/9	2100/1600						118/95	35/32			
AS11938CU4TYH	0,11/0,10	18/16	2600/2850						144/148	43/46			
AS17251CU1CYH	0,23	35	2600/2500	Therm	55	172	51	162	336/390	53/52	Cable	Ball	2

Serie AE Universal voltage ECM : marcati classe B, in accordo a EN.60335..1

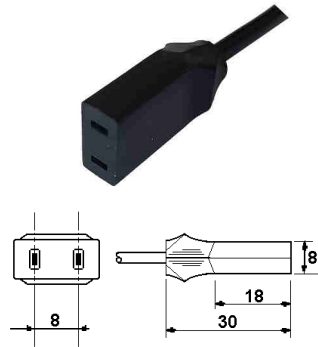
CODE	Label data					Dimensions			Airflow max, m ³ /h	Noise dB(A)	Connection	Bearing	Fig.
	V.	W _{in}	RPM	Prot.	IP	A	B	C					
AE11938BR1CY	85-260 ac	5	2800	E.C.	55	120	38	105	175	40	Cable	Sleeve	1
	24-260 dc												
AE11938CU1CY	85-260 ac	5	2800	E.C.	55	120	38	105	175	40	Terminal	Ball	1
	24-260 dc												

E.C. = Electronics Controller, protection over Voltage / Current / Temperature / Locked rotor & automatic reset

Accessories

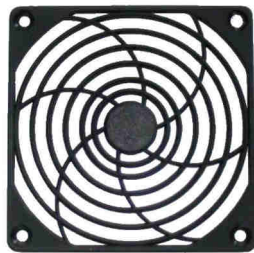
Compact fans $\varnothing 80\text{mm} \div \varnothing 172\text{mm}$

Cable



054.200M.0000 (2mt)

Fan guard

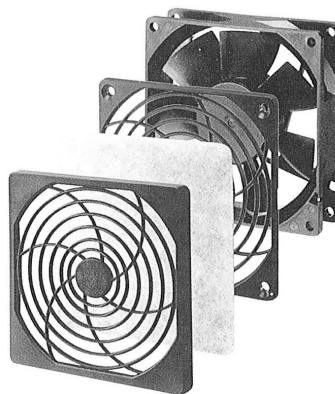


036.ASPL.0119



036.ASPL.0172

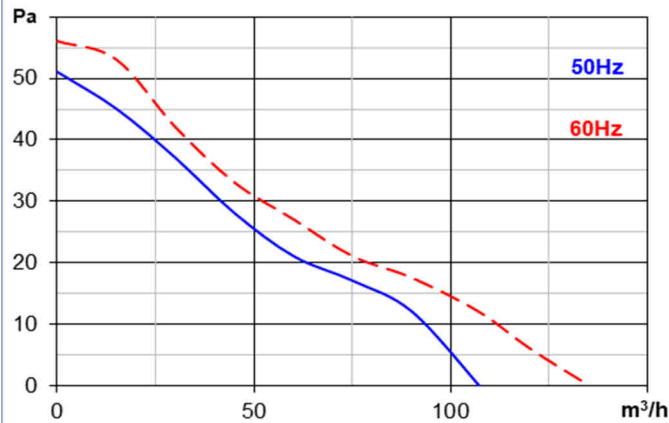
Filter



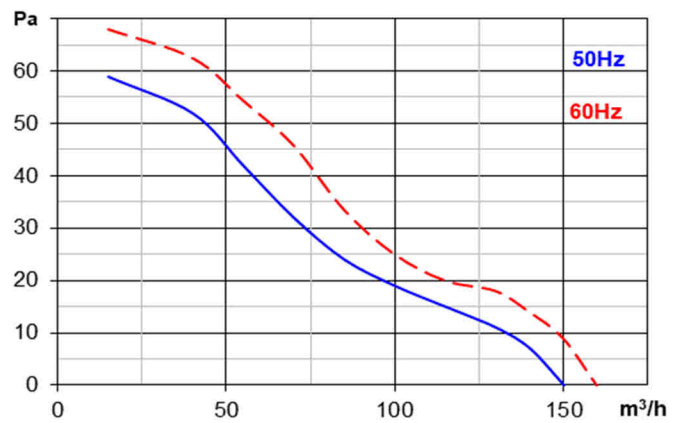
Performances curves

Compact fans $\varnothing 119\text{mm} \div \varnothing 172\text{mm}$

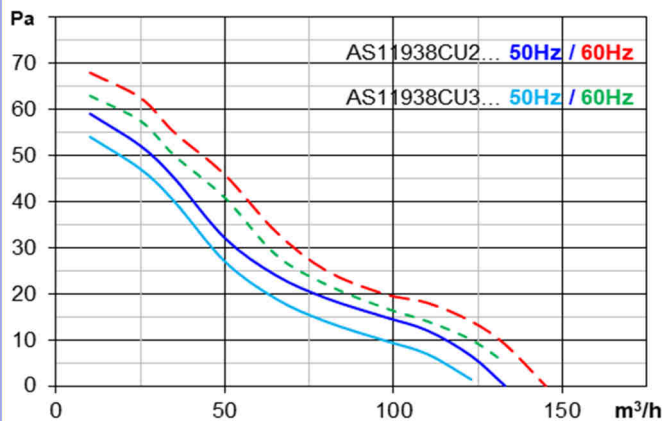
AS11925BR/CU1..



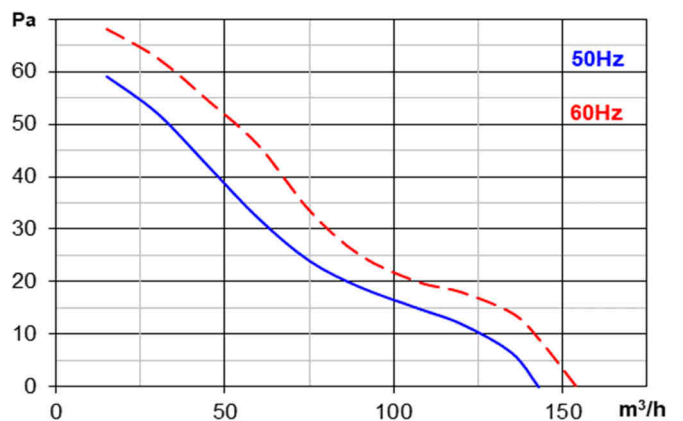
AS11938BR1..



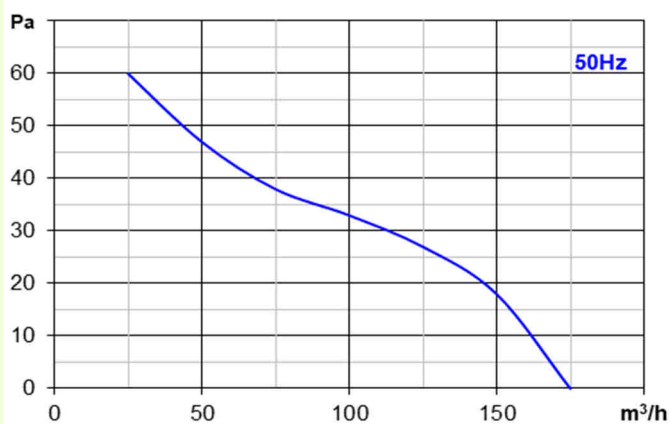
AS11938CU2.. /3..



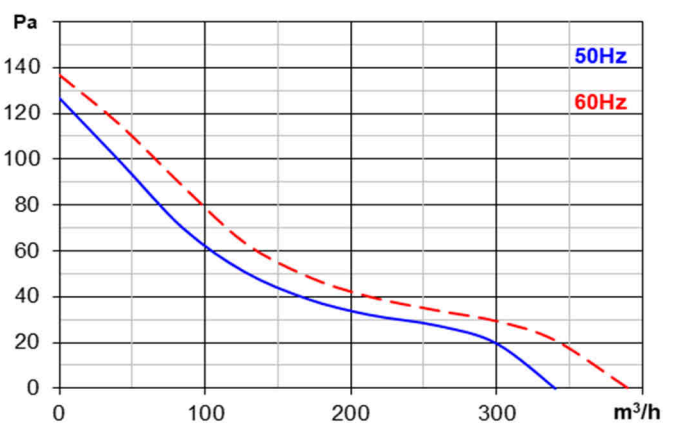
AS11938CU4..



AE11938BR/CU1..



AS17251CU1CYH



2 pole axial fans

Ø 96mm ÷ Ø172mm



Ventilatori Assiali

MOTORE :

2 poli a poli schermati

CARCASSA :

Coperchi in plastica;
boccaglio, staffe e reti di metallo

VENTOLA :

in alluminio o plastica

CONNESSIONE

n° 2 Faston 6,3 x 0,8 mm

VOLTAGGI :

230V - 50/60Hz.
su richiesta :
115V - 50/60Hz.

PROTEZIONE : IP40

ISOLAMENTO : " B "

TEMPERATURA DI UTILIZZO :

da -20° C a + 40° C

FUNZIONALITA' : (S1)

Continua in tutte le posizioni

MARCATURA : CE

In accordo a EN 60335.1
Bassa Tensione 2014/35/UE
Direttiva Macchine 2006/42/CE
EMC 2014/30/UE
RoHS3 2015/863

Axial Fans

MOTOR :

2 pole shaded pole

HOUSING :

Thermoplastic resin body
metal support, ring, fanguard

IMPELLER :

aluminium or plastic

MAINS CONNECTION

n° 2 terminals 6,3 x 0,8 mm

VOLTAGE RANGE :

230V - 50/60Hz.
on request
115V - 50/60Hz.

PROTECTION : IP40

INSULATION : " B "

OPERATING TEMPERATURE :

From -20° C to + 40° C

OPERATION : (S1)

Continuous in all positions

MARKED: CE

according to EN 60335.1
2014/35/UE Low Voltage
2006/42/CE Machine Directive
EMC 2014/30/UE
RoHS3 2015/863

Ventilateurs Axiaux

MOTEUR :

2 poles " shaded pole "

CARCASSE :

Thermoplastique
support, virole et grille en métal

HELICE :

aluminium ou plastique

CONNECTION :

n° 2 cosses 6,3 x 0,8 mm

VOLTAGE :

230V - 50/60Hz.
sur demande
115V - 50/60Hz.

PROTECTION : IP40

ISOLATION : " B "

TEMPERATURE D'EXERCICE

de -20° C à + 40° C

TRAVAIL : (S1)

Continu en toute position

MARQUAGE : CE

en accord avec EN 60335.1
2014/35/UE Basse Tension
2006/42/CE Machine Directive
EMC 2014/30/UE
RoHS3 2015/863

Axialventilatoren

MOTOR :

2 polige Spaltpolmotoren

VENTILATORGEHAUSE :

Harzthermoplast
Fuß, Ring, Schutzgitter aus Eisen

AXIALLÜFTERRAD :

Aluminium oder Plastik

NETZANSCHLUß :

Flachstecker 6,3 x 0,8 mm

SPANNUNG :

230V - 50/60Hz.
auf Anfrage
115V - 50/60Hz.

SCHUTZART: IP40

ISOLATIONSKLASSE: " B "

TEMPERATUR BEREICH :

Von - 20°C bis + 40°C

BETRIEBSART : (S1)

Fortdauernd in den allen Lagen

ZULASSUNGEN : CE

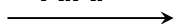
Abkommen mit EN 60335.1
2014/35UE
2006/42/CE
EMC 2014/30/UE
RoHS3 2015/863

2 pole fans & motor with $\varnothing 96\text{mm}$ impeller & ring

Serie EVC 15 A / P

Air direction

A.A.



A.P.

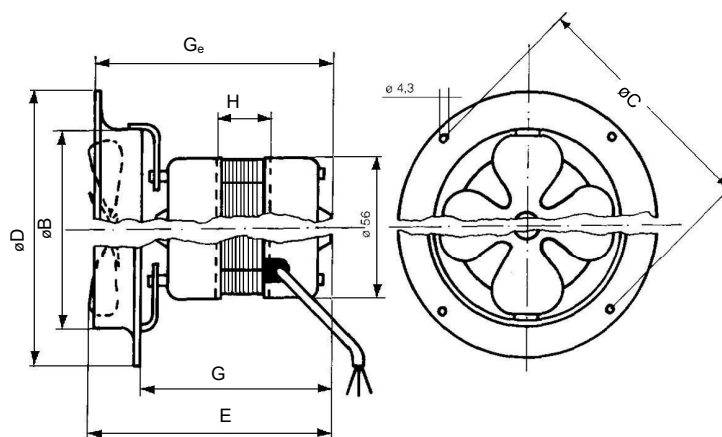
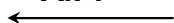
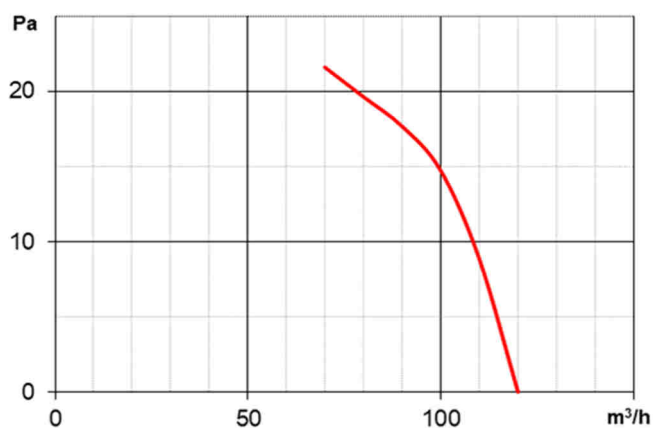


Fig.1

Serie EVC 15 ... : 230V - 50Hz/60Hz - marcati C E classe B , in accordo a EN.60335.1

CODE	Label data				Dimensions						Impeller		Airflow	Pressure	Fig.
	A	W_{in}	W_{out}	RPM	B	C	D	E	G	H	\varnothing	incl, °	max, m ³ /h	max, Pa	
EVC 15 A	0,12	18		2550	108	134	144	103	100	20	96	34°	120	22	1
EVC 15 P									77						

Performance curves



2 pole fans

with $\varnothing 96 \div 172\text{mm}$ impeller & bracket

Serie B01 - 02 - 03

Air direction

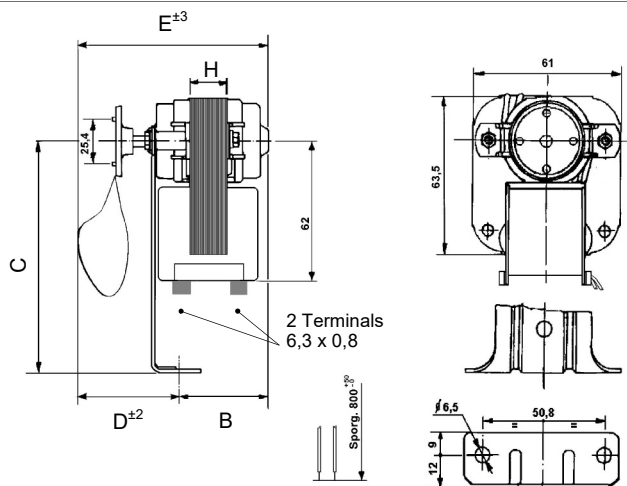
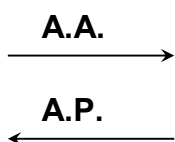


Fig.1

Air direction

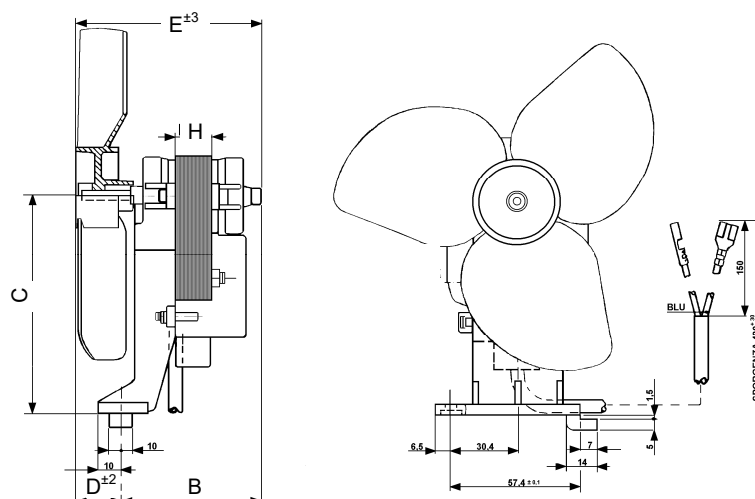


Fig.2

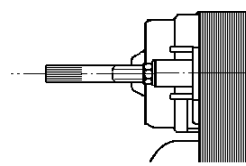
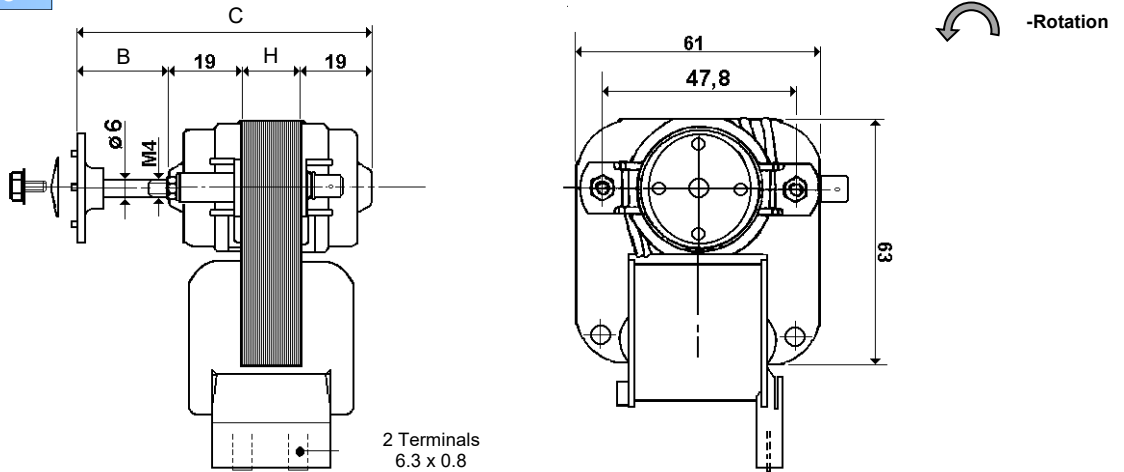
Serie B01 - 02 - 03 ... : 230V- 50Hz - marcati C C classe B, in accordo a EN.60335.1

CODE	Label data			Dimensions					Impeller		Airflow	Pressure	Fig.
	A	W_{in}	RPM	B	C	D	E	H	\varnothing	incl, °	m3/h	max, Pa	
B 01 Y..	0,14	16	2600	36	95,5	50	86	15	96	34°	120	46	1
	0,22	22	2000			55	91		130	23°	160	52	
	0,24	24	1500			50	86		154	19°	240	52	
B 01 L016DA95..	0.05	7	1400	67	95,5	27	94	20	160	18°	115	10	2
B 01 X016DA95..	0.08	11	1800								145	12	
B 02 Y..	0,17	24	2600	41	95,5	48	89	20	130	27°	280	42	1
	0,18	25	2400						154	23°	300	52	
	0,22	30	1800						172	19°	340	62	
B 03 Y..	0,30	40	2400	51	95,5	45	95,5	30	130	31°	400	63	1
	0,32	43	2500			50	101		154	27°	425	80	
	0,35	48	2000			50	101		172	23°	475	100	

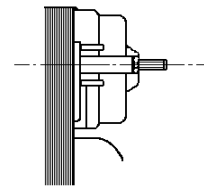
2 pole motors

serie M60

Serie B01 - 02 - 03



Standard Shaft Fixing



On request Back Fixing

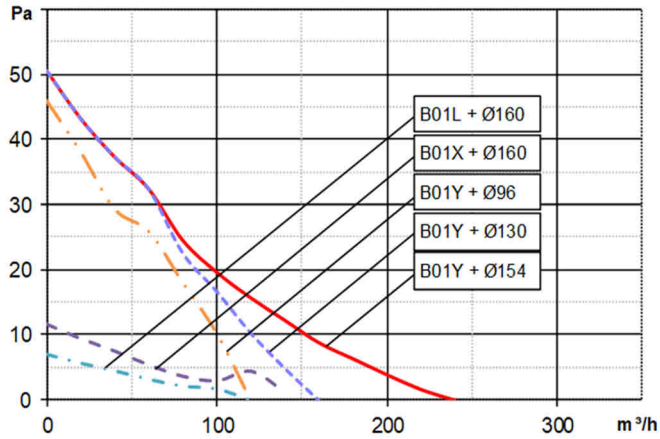
Serie B01 - 02 - 03 ...: 230V - 50Hz/60Hz - marcati C E classe B, in accordo a EN.60335.1

CODE	Lable data					Dimensions		
	A	W_{in}	W_{out}	RPM	Prot.	B	C	H
B01Y0 ...	0,18	20	2	2400	Imp.	27	80	15
B02Y0 ...	0,23	27	5	2400	Imp.	22	80	20
B03Y0 ...	0,39	47	13	2400	Term.	22	90	30
B04Y0 ...	0,75	85	27	2500	Term.	22	90	20

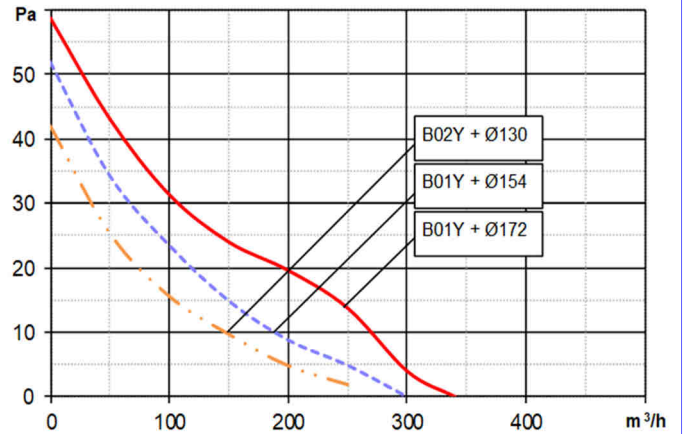
Performances curves

2 pole fans Ø 96mm ÷ Ø172mm

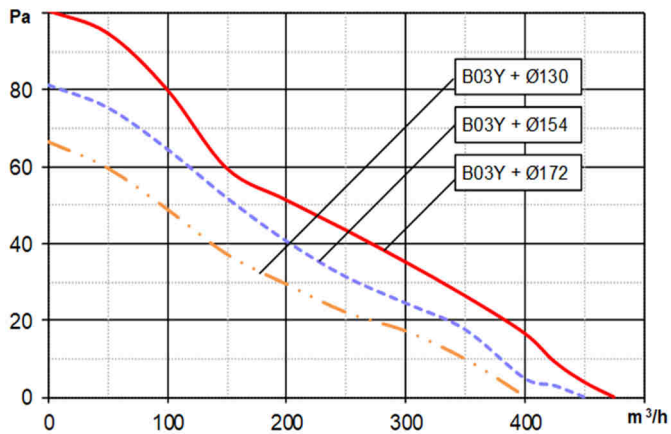
B01 ... 50Hz



B02 ... 50Hz



B03 ... 50Hz



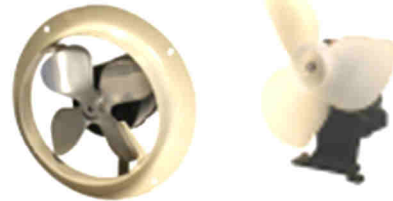
Our Axial fans view

AS - Compact fans



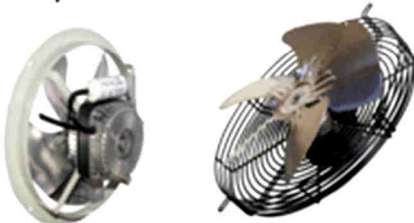
From 80x80x25mm to 172x150x51mm

EVE1 - 2 pole Axial fans



2.800 rpm from blade Ø 96 mm to Ø 300 mm

EVE2 - 2 pole Axial fans



2.800 rpm, from blade Ø 154 mm to Ø 300 mm

EVE - 4 pole Axial fans



1.300 rpm, from blade Ø 154 mm to Ø 300 mm

UA - Energy Saving fans - 1 speed



from blade Ø 154 mm to Ø 350 mm



UB - Energy Saving fans - 2 speed



from blade Ø 154 mm to Ø 350 mm



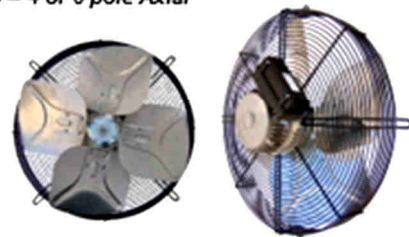
UC - Energy Saving - speed control 0-10



from blade Ø 154 mm to Ø 350 mm



EVE3 - 4 or 6 pole Axial



from blade Ø 300 mm to Ø 500 mm

PSC 2 pole axial fans

with impeller Ø154 ÷ Ø300mm & accessories



Ventilatori Assiali

MOTORE :

2 poli a condensatore

CARCASSA :

Coperchi in alluminio pressofuso
boccaglio, staffe e reti di metallo

VENTOLA :

in alluminio

CONNESSIONE

Cavo 3 x 0,5 x 500 mm

VOLTAGGI :

230V - 50/60Hz.

su richiesta :

115V- 50/60Hz.

PROTEZIONE : IP42

su richiesta : IP44

ISOLAMENTO : " B "

TEMPERATURA DI UTILIZZO :

da -25° C a + 40° C

FUNZIONALITA' : (S1)

Continua in tutte le posizioni

MARCATURA : CE

in accordo a EN 60335.1

Bassa Tensione 2014/35/UE

Direttiva Macchine 2006/42/CE

EMC 2014/30/UE

RoHS3 2015/863

Axial Fans

MOTOR :

2 pole PSC version

HOUSING :

Die-casting aluminium body,
metal support, ring, fanguard

IMPELLER :

aluminium

MAINS CONNECTION

Cable 3 x 0,5 x 500 mm

VOLTAGE RANGE :

230V - 50/60Hz.

on request

115V- 50/60Hz.

PROTECTION : IP42

on request : IP44

INSULATION : " B "

OPERATING TEMPERATURE :

From -25° C to + 40° C

OPERATION : (S1)

Continuous in all positions

MARKED : CE

according to EN 60335.1

2014/35/UE Low Voltage

2006/42/CE Machine Directive

EMC 2014/30/UE

RoHS3 2015/863

Ventilateurs Axiaux

MOTEUR :

2 pôles à condensateur

CARCASSE :

Pressofusion d' aluminium
support, virole et grille en métal

HELICE :

aluminium

CONNECTION

Cable 3 x 0,5 x 500 mm

VOLTAGE :

230V - 50/60Hz.

sur demande

115V- 50/60Hz.

PROTECTION : IP42

sur demande : IP44

ISOLATION : " B "

TEMPERATURE D'EXERCICE

de -25° C à + 40° C

TRAVAIL : (S1)

Continu en toute position

MARQUAGE : CE

en accord avec EN 60335.1

2014/35/UE Basse Tension

2006/42/CE Machine Directive

EMC 2014/30/UE

RoHS3 2015/863

Axialventilatoren

MOTOR :

2 polige Kondensatormotoren

VENTILATORGEHAUSE :

Druckguß Wandring Aluminium,
Fuß, Ring, Schutzgitter aus Eiser

AXIALLÜFTERRAD :

Aluminium

NETZANSCHLUß :

Kabel 3 x 0,5 x 500 mm lang

SPANNUNG :

230V - 50/60Hz.

auf Anfrage

115V- 50/60Hz.

SCHUTZART: IP42

auf Anfrage: IP44

ISOLATIONSKLASSE : " B "

TEMPERATUR BEREICH :

Von -25°C bis + 40°C

BETRIEBSART : (S1)

Fortdauernd in den allen Lagen

ZULASSUNGEN : CE

Abkommen mit EN 60335.1

2014/35UE

2006/42/CE

EMC 2014/30/UE

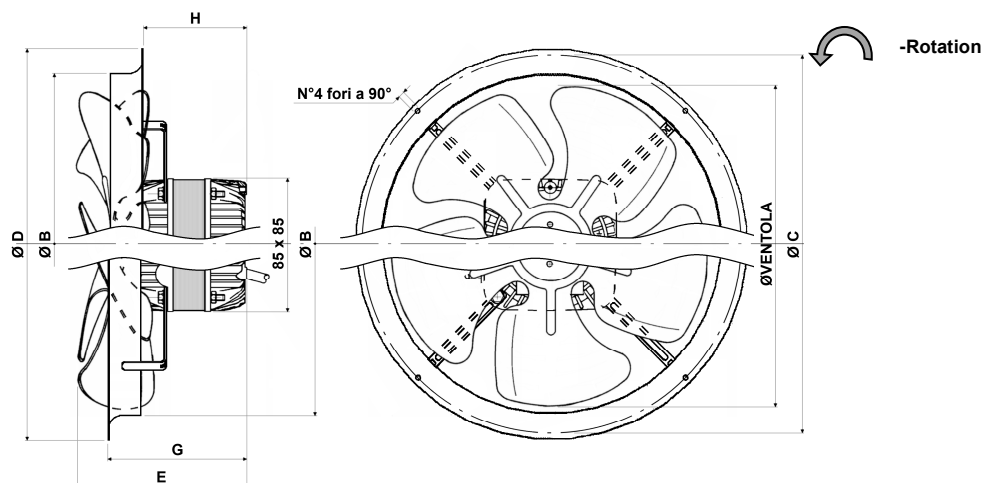
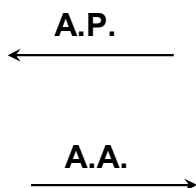
RoHS3 2015/863

Axial fans PSC 2 pole

with ring & impeller $\varnothing 154 \div \varnothing 300\text{mm}$

Serie C2L

Air direction



(*) Capacitor delivered separately

2 Pole PSC version - 230 V – 50/60Hz (on demand 115V-50/60Hz.)

Operation mode	S1	Ambient temp.	-25°C ÷ +40°C	Marking CE + Ex (*)
Mounting position	All	Max. intake air	+ 50°C	Standard of ref.
Motor bearing	Sleeve or Ball (*) bear	Max. °C storage	-40°C ÷ +80°C	EN 60335-1/A15/2-24/2-89(*) Gas IIA
Motor protection	Imp or TH	Expect. life sleeve	Over 40.000 h	60034-1(REM) 60529(IP) 60079-15(*)
Locked rotor protec.	Yes	Housing	Die-casting Alum.	(*) II 3G Ex nA IIC T4 Gc
Insulation	B	Ring /fan guard /support	Steel	2006/42/CE(Mac) 2014/35/UE(Low V.)
IP protection	42 (on demand 44 or 55)	Impeller	Aluminium	2014/30/UE(EMC) 2015/863(RoHS3)

(*) suitable on demand

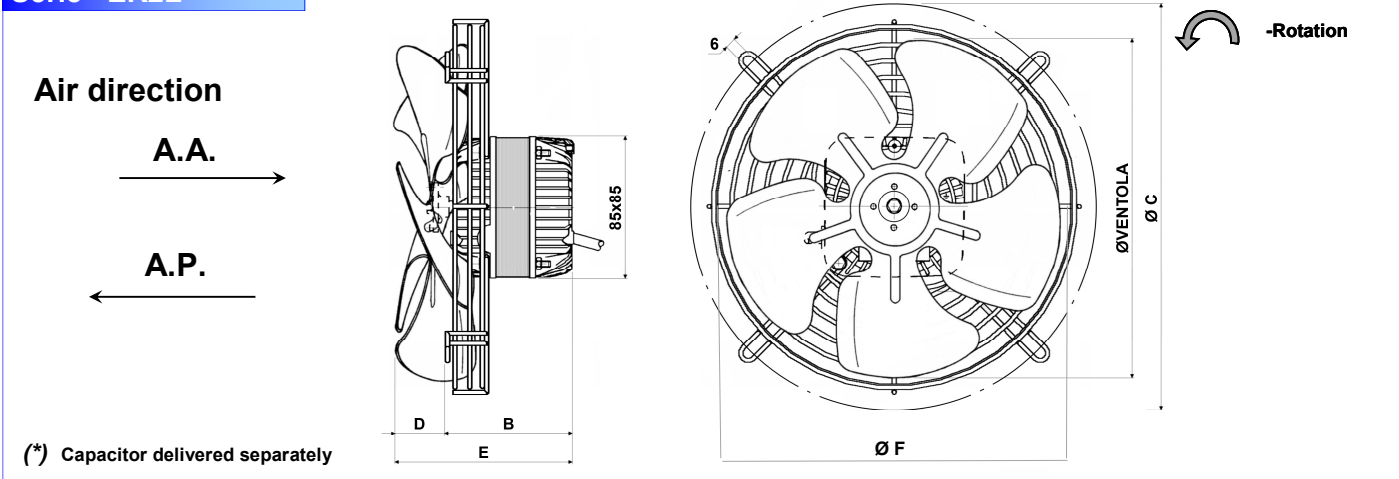
Serie C2L 2 - 3 - 4 - 5 ; 230V - 50/60Hz - marcati **CE** classe B, in accordo a EN.60335.1

CODE	Lable data				Dimensions							Impeller		
	A. 50Hz/60Hz	W _{out} 50Hz/60Hz	W _{in} 50Hz/60Hz	RPM 50Hz/60Hz	µF	Prot.	B	C	D	E ±3	G (A.A.)	H (A.P.)	Ø	incl, °
C2L215U..	0,16/0,22	12/16	37/44	2900/3500	2	Term.	164	190	200	108	100	75	154	31
C2L217U..	0,35/0,40	25/30	65/75	2800/3400	2	Term.	182	208	222	109	101	76	172	31
C2L220U..	0,43/0,47	40/45	96/109	2700/3200	2	Term.	210	236	246	113	101	76	200	31
C2L323S..	0,52/0,65	55/70	115/150	2800/3200	3,15	Term.	240	266	279	132	115	90	230	27
C2L425V..	0,80/0,85	80/90	185/200	2700/2800	4	Term.	264	290	300	145	125	100	254	23
C2L530D..	0,90/0,96	95/105	200/260	2600/2700	5	Term.	310	344	356	167	135	105	300	16

Axial fans PSC 2 pole

with fan guard & impeller $\varnothing 154 \div \varnothing 300\text{mm}$

Serie ER2L



2 Pole PSC version - 230 V – 50/60Hz (on demand 115V-50/60Hz.)

Operation mode	S1	Ambient temp.	-25°C ÷ +40°C	Marking CE + Ex (*)
Mounting position	All	Max. intake air	+ 50°C	Standard of ref.
Motor bearing	Sleeve or Ball (*) bear	Max. °C storage	-40°C ÷ +80°C	EN 60335-1/A15/2-24/2-89(*) Gas IIA
Motor protection	Imp or TH	Expect. life sleeve	Over 40.000 h	60034-1(REM) 60529(IP) 60079-15(*)
Locked rotor protec.	Yes	Housing	Die-casting Alum.	(*) II 3G Ex nA IIC T4 Gc
Insulation	B	Ring /fan guard /support	Steel	2006/42/CE(Mac) 2014/35/UE(Low V.)
IP protection	42 (on demand 44 or 55)	Impeller	Aluminium	2014/30/UE(EMC) 2015/863(RoHS3)

(*) suitable on demand

Serie ER2L 2 - 3 - 4 - 5 ; 230V - 50/60Hz - marcati C E classe B, in accordo a EN.60335.1

CODE	Lable data						Dimensions						Impeller	
	A. 50Hz/60Hz	Wout 50Hz/60Hz	Win 50Hz/60Hz	RPM 50Hz/60Hz	μF	Prot.	B	C	D	E ± 3	F	\varnothing	incl, °	
ER2L215U..	0,16/0,22	12/16	37/44	2900/3500	2	Term.	80	208	28	108	182	154	31	
ER2L217U..	0,35/0,40	25/30	65/75	2800/3400	2	Term.	80	208	29	109	182	172	31	
ER2L220U..	0,43/0,47	40/45	96/109	2700/3200	2	Term.	80	236	33	113	217	200	31	
ER2L323S..	0,52/0,65	55/70	115/150	2800/3200	3,15	Term.	90	280	42	132	240	230	27	
ER2L425V..	0,80/0,85	80/90	185/200	2700/2800	4	Term.	100	290	45	145	260	254	23	
ER2L530D..	0,90/0,96	95/105	200/260	2600/2700	5	Term.	133	370	34	167	335	300	16	

Universal PSC 2 pole motors

multi fixing

Serie L22 - 23 - 25

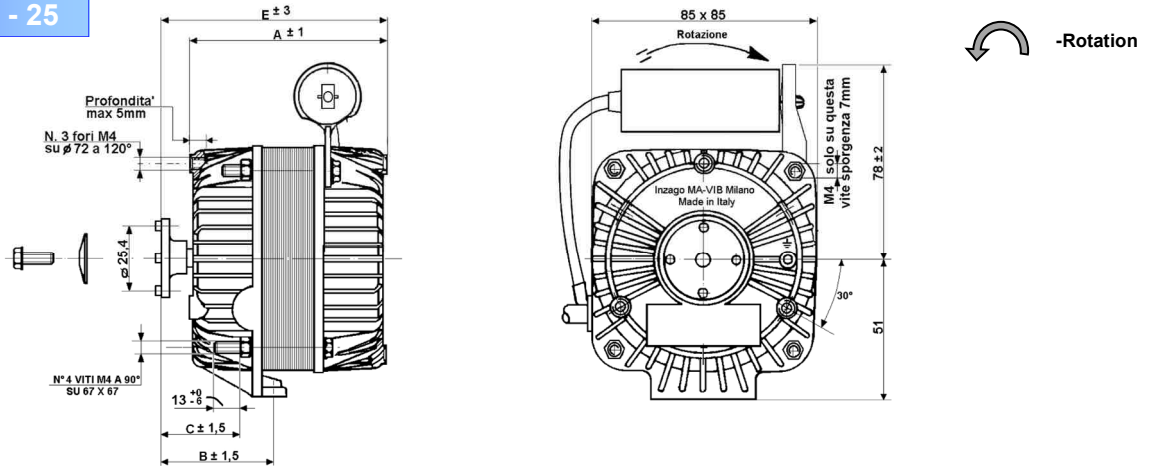
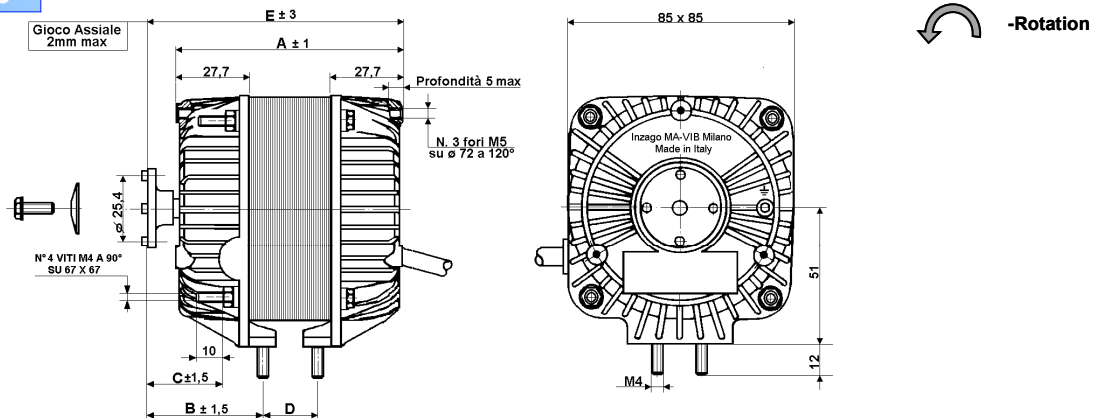


Fig.1

Serie L22 - 23 - 25



(*) Capacitor delivered separately

Fig.2

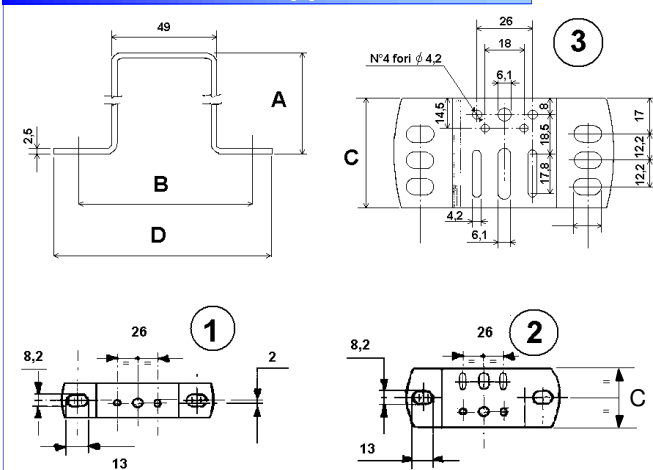
Serie L22 - 23 - 24 - 25 : 230V - 50/60Hz - marcati C € classe B, in accordo a EN.60335.1

CODE	Lable data						Dimensions					Impeller		Fig.
	A.	W _{out}	W _{in}	RPM	µF	Prot.	A	B	C	D	E	ø	incl. °	
L22Y0. ...	0,16/0,22	12/16	37/44	2900/3500	2	Therm.						154	31	1
	0,35/0,40	25/30	65/75	2800/3400	2	Therm.	75,5	47	32		90	172	31	
	0,43/0,47	40/45	96/109	2700/3200	2	Therm.						200	31	
25.82.225..	0,32/0,36	20/28	75/85	2450/2550	2	Therm.	72		31		85	200	31	2
L23Y023SA...	0,52/0,65	55/70	115/150	2800/3200	3,15	Therm.	85,5	47	32	20	100	230	27	
L24Y025VA...	0,80/0,85	80/90	185/200	2700/2800	4	Therm.	95	47	32	30	110	254	23	
L25Y030DA...	0,90/0,96	95/105	200/260	2600/2700	5	Therm.	108	46	31	42,5	120	300	16	

Accessories

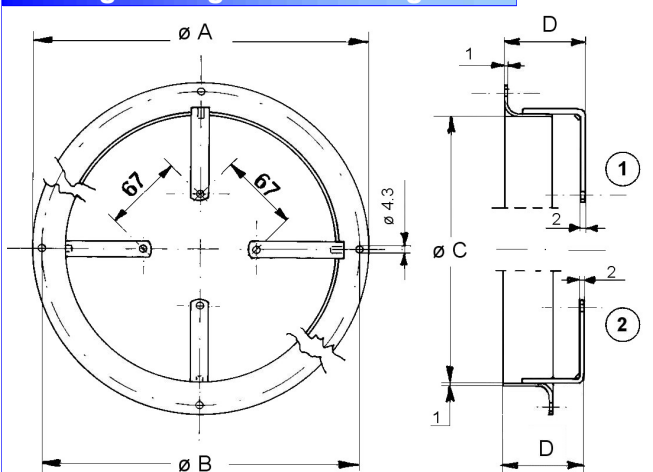
For PSC 2 pole motors

Staffe - Bracket - Support - Fuß



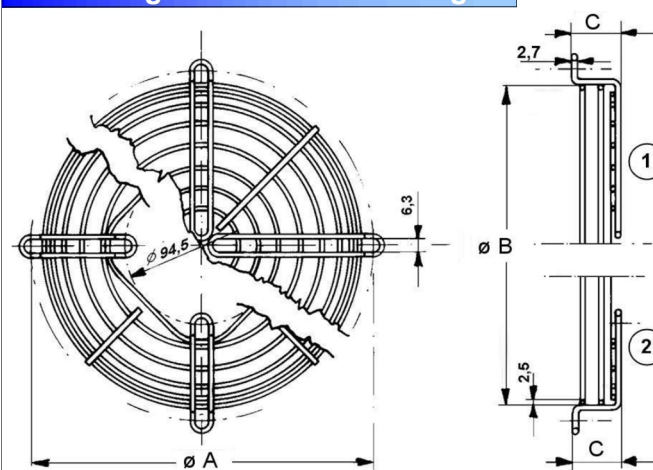
CODE	Dimensions				Pacco mm	Fig.
	A	B	C	D		
087.0119.0000	39	78	25	101	13/20	1
087.0102.0000	52	78	25	101	13/20	
087.0100.0000	71	78	25	101	13/20	
087.0101.0000	83	78	25	101	20/25	2
087.0116.0000	83	78	42	101	30	3
087.0120.0000	83	78	52	101	30/40/45	
087.0125.0000	108,5	78	52	101		3
087.0123.0000	55	130	25	153	13/20	1
087.0212.0000	72	133	25	156	13/20	
087.0211.0000	72	159	25	182	13/20	
087.0213.0000	110,5	154	52	177	30/40/45	3

Bocchigli - Ring - Virole - Ring



CODE	Dimensions				Impeller ø, mm	Fig.
	A	B	C	D		
079.0301.0000	200	190	162	46	154	1
079.0303.0000	222	208	180	46,5	172	
079.0305.0000	246	236	208	47	200	
079.0309.0000	276	266	238	51	230	
079.0308.0000	300	290	262	51	254	
079.0310.0000	356	344	308	51	300	2
079.0201.0000	200	190	162	46	154	
079.0203.0000	222	208	180	46,5	172	
079.0205.0000	246	236	208	46,5	200	
079.0212.0000	276	266	238	51	230	
079.0209.0000	300	290	262	51	254	
079.0210.0000	356	344	308	51	300	

Reti - Fanguard - Grille - Schutzgitter

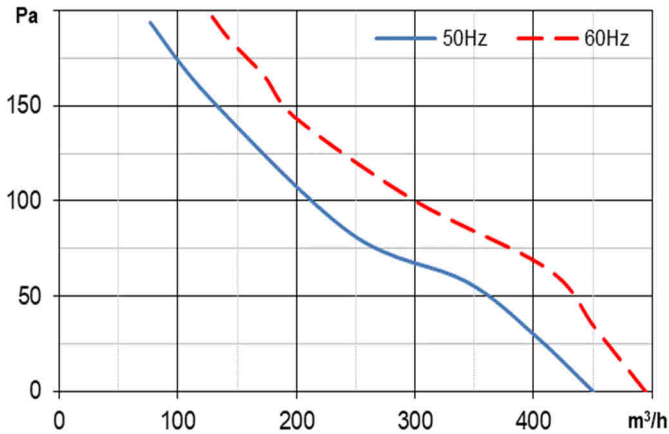


CODE	Dimensions			Impeller ø, mm	Fig.
	A	B	C		
036.0304.0000	208	188	26	172	1
036.0312.0000	236	226	26	200	
036.0300.0000	270	246	26	230	
036.0301.0000	290	267	36	254	
036.0412.0005	365	340	50	300	
036.0305.0000	208	188	26	172	2
036.0203.0000	236	223	26	200	
036.0200.0000	280	246	26	230	
036.0201.0000	289	266	26	254	
036.0201.0037	289	266	37	254	
036.0412.0000	365	340	47	300	
036.0354.0000	420	380	53	350	

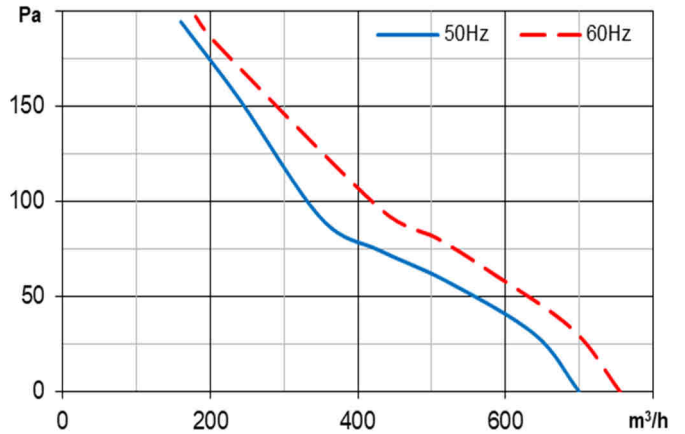
Performances curves

PSC 2 pole fans $\varnothing 154\text{mm} \div \varnothing 300\text{mm}$

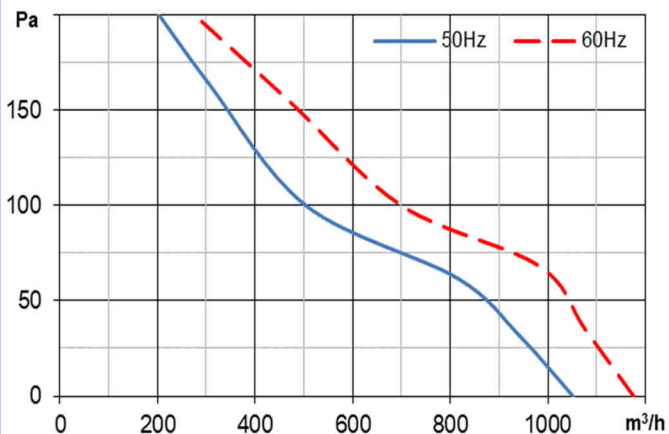
ER2L2 / C2L2 / L22 $\varnothing 154/31^\circ$



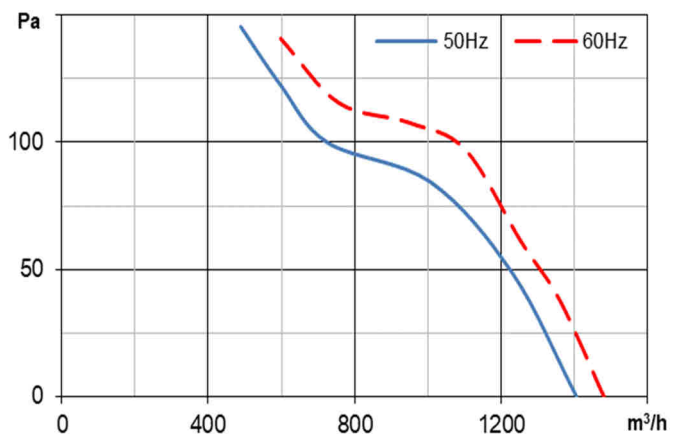
ER2L2 / C2L2 / L22 $\varnothing 172/31^\circ$



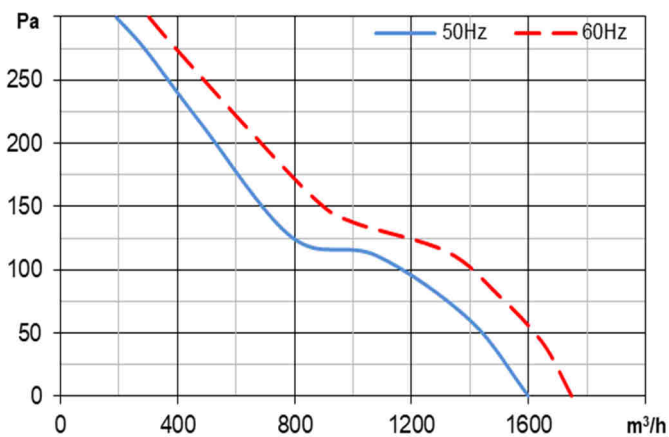
ER2L2 / C2L2 / L22 $\varnothing 200/31^\circ$



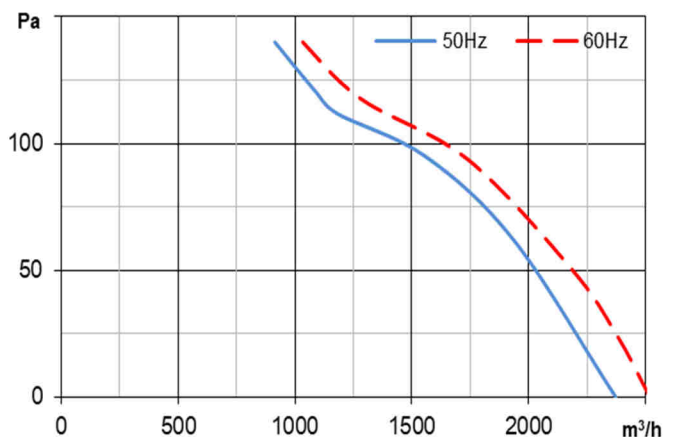
ER2L3 / C2L3 / L23 $\varnothing 230/27^\circ$



ER2L4 / C2L4 / L24 $\varnothing 254/23^\circ$



ER2L5 / C2L5 / L25 $\varnothing 300/16^\circ$



Axial fans 4 pole

with impeller $\varnothing 154 \div \varnothing 300$ mm & accessories



Ventilatori Assiali

MOTORE :
4 poli a poli schermati

CARCASSA :
Coperchi in alluminio pressofuso;
boccaglio, staffe e reti di metallo

VENTOLA :
in alluminio

CONNESSIONE
Cavo 3 x 0,5 x 500 mm

VOLTAGGI :
230V - 50/60Hz.
su richiesta :
115V- 50/60Hz.

PROTEZIONE : IP42
su richiesta : IP44

ISOLAMENTO : " B "

TEMPERATURA DI UTILIZZO :
da -30° C a + 40° C

FUNZIONALITA' : (S1)
Continua in tutte le posizioni

MARCATURA : CE
in accordo a EN 60335.1
Bassa Tensione 2014/35/UE
Direttiva Macchine 2006/42/CE
EMC 2014/30/UE
RoHS3 2015/863

Axial Fans

MOTOR :
4 pole shaded pole

HOUSING :
Die-casting aluminium body;
metal support, ring, fanguard on Fe

IMPELLER :
aluminium

MAINS CONNECTION
Cable 3 x 0,5 x 500 mm

VOLTAGE RANGE :
230V - 50/60Hz.
on request
115V- 50/60Hz.

PROTECTION : IP42
on request : IP44

INSULATION : " B "

OPERATING TEMPERATURE :
From -30° C to + 40° C

OPERATION : (S1)
Continuous in all positions

MARKED : CE
according to EN 60335.1
2014/35/UE Low Voltage
2006/42/CE Machine Directive
EMC 2014/30/UE
RoHS3 2015/863

Ventilateurs Axiaux

MOTEUR :
4 pôles " shaded pole "

CARCASSE :
Pressofusion d' aluminium;
support, virole et grille en métal

HELICE :
aluminium

CONNECTION
Cable 3 x 0,5 x 500 mm

VOLTAGE :
230V - 50/60Hz.
sur demande
115V- 50/60Hz.

PROTECTION : IP42
sur demande : IP44

ISOLATION : " B "

TEMPERATURE D'EXERCICE
de -30° C à + 40° C

TRAVAIL : (S1)
Continu en toute position

MARQUAGE : CE
en accord avec EN 60335.1
2014/35/UE Basse Tension
2006/42/CE Machine Directive
EMC 2014/30/UE
RoHS3 2015/863

Axialventilatoren

MOTOR :
4 polige Spaltpolmotoren

VENTILATORGEHAUSE :
Druckguß Wandring Aluminium;
Fuß, Ring, Schutzgitter aus Eiser

AXIALLÜFTERRAD :
Aluminium

NETZANSCHLUß :
Kabel 3 x 0,5 x 500 mm lang

SPANNUNG :
230V - 50/60Hz.
auf Anfrage
115V- 50/60Hz.

SCHUTZART: IP42
auf Anfrage: IP44

ISOLATIONSKLASSE: " B "

TEMPERATUR BEREICH :
Von -30°C bis + 40°C

BETRIEBSART : (S1)
Fortdauernd in den allen Lagen

ZULASSUNGEN : CE
Abkommen mit EN 60335.1
2014/35UE
2006/42/CE
EMC 2014/30/UE
RoHS3 2015/863

Our Axial fans 4 pole

Shaded pole



5W - 34W motors & fans
with impeller Ø154 - Ø 300mm with ring or guard

Axial fans 4 pole

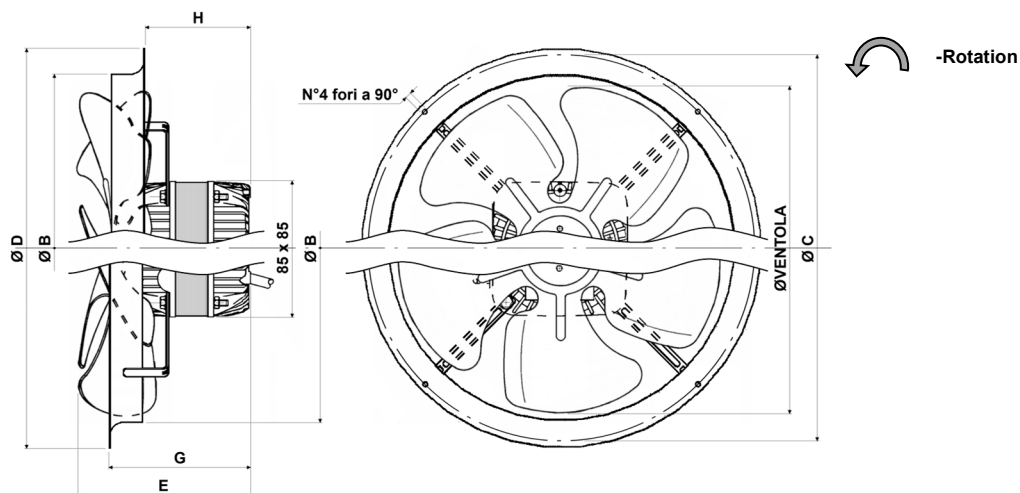
with ring & impeller $\varnothing 154 \div \varnothing 300\text{mm}$

Serie C ...

Air direction

A.P. ←

A.A. →



4 Pole SHADED POLE - 230 V – 50/60Hz (on demand 115V-50/60Hz.)

Operation mode	S1	Ambient temp.	-30°C ÷ +40°C	Marking	CE + Ex (*)
Mounting position	All	Max. intake air	+ 50°C	Standard of ref.	
Motor bearing	Sleeve or ball (*) bear.	Max. °C storage	-40°C ÷ +80°C	EN 60335-1/A15/2-24/2-89(*) Gas IIA	
Motor protection	Imp or TH	Expect. life sleeve	Over 40.000 h	60034-1(REM) 60529(IP) 60079-15(*)	
Locked rotor protec.	Yes	Housing	Die-casting Alum.	(*) II 3G Ex nA IIC T4 Gc	
Insulation	B	Ring /fan guard /support	Steel	2006/42/CE(Mac) 2014/35/UE(Low V.)	
IP protection	42 (on demand 44 or 55)	Impeller	Aluminium	2014/30/UE(EMC) 2015/863(RoHS3)	

(*) suitable on demand

Serie C..

CODE	Lable data				Dimensions						Impeller	
	A.	W _{in}	RPM 50Hz/60Hz	Prot.	B	C	D	E	G (A.A.)	H (A.P.)	∅	incl. °
C05..	0,19	29	1300/1500	Imp.	164	190	200	94	86	60	154(*)	31
					182	208	222	93			172	31
					210	236	246	89			200(*)	19
C07..	0,19	32	1300/1400	Imp.	210	236	246	105	93	67	200(*)	31
					240	266	276	103	98	72	230(*)	19
C10..	0,25	38	1300/1400	I./T.	240	266	276	114	98	72	230(*)	27
					264	290	300	97	98	72	254	19
C18..	0,55	85	1300/1450	Term.	264	290	300	117	111	82	254	27
					310	344	356	108	121	77	300	19
C25..	0,78	110	1300/1400	Term.	310	344	356	129	121	87	300	23
C34..	0,76	120	1300/1400	Term.	310	344	356	149	126	92	300	27

(*) also plastic ring "S..".

Axial fans 4 pole

with fan guard & impeller $\varnothing 154 \div \varnothing 300\text{mm}$

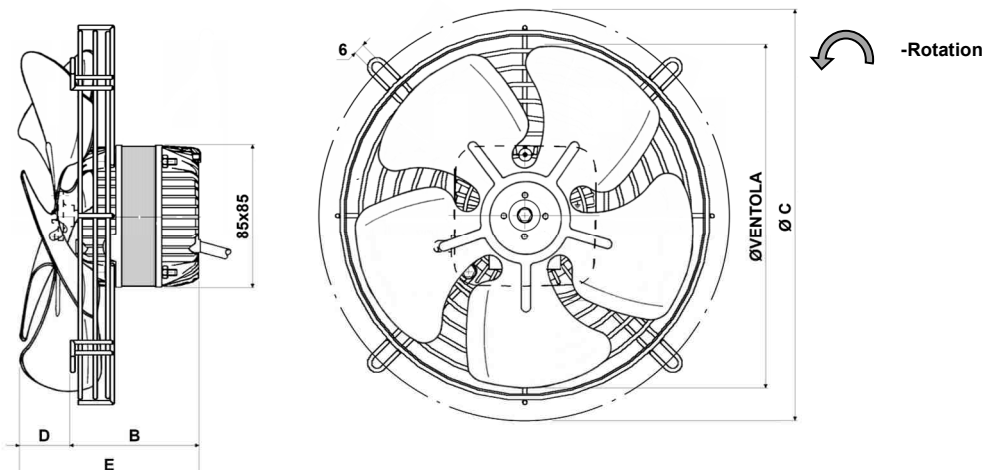
Serie R ...

Air direction

A.P.



A.A.



4 Pole SHADED POLE - 230 V – 50/60Hz (on demand 115V-50/60Hz.)

Operation mode	S1	Ambient temp.	$-30^{\circ}\text{C} \div +40^{\circ}\text{C}$	Marking CE + Ex (*)
Mounting position	All	Max. intake air	+ 50°C	Standard of ref.
Motor bearing	Sleeve or ball (*) bear.	Max. °C storage	$-40^{\circ}\text{C} \div +80^{\circ}\text{C}$	EN 60335-1/A15/2-24/2-89(*) Gas IIA
Motor protection	Imp or TH	Expect. life sleeve	Over 40.000 h	60034-1(REM) 60529(IP) 60079-15(*)
Locked rotor protec.	Yes	Housing	Die-casting Alum. (*)	II 3G Ex nA IIC T4 Gc
Insulation	B	Ring /fan guard /support	Steel	2006/42/CE(Mac) 2014/35/UE(Low V.)
IP protection	42 (on demand 44 or 55)	Impeller	Aluminium	2014/30/UE(EMC) 2015/863(RoHS3)

(*) suitable on demand

Serie R..

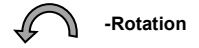
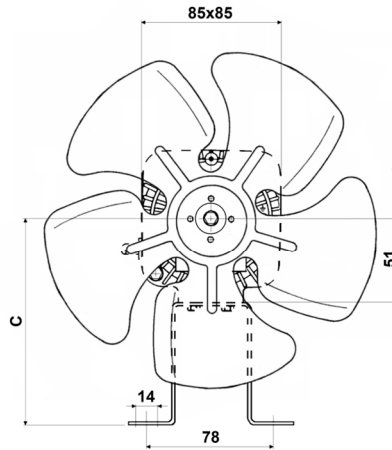
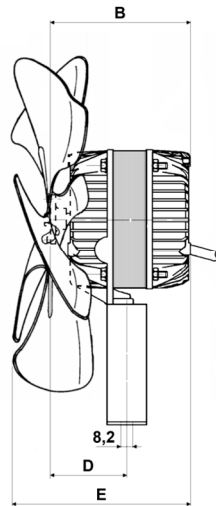
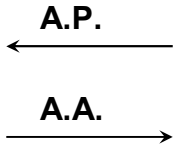
CODE	Lable data				Dimensions						Impeller	
	A.	W _{in}	RPM 50Hz/60Hz	Prot.	B	C	D	E	G	H	ø	incl. °
R05..	0,19	29	1300/1500	Imp.	66	208	29	94			154	31
						208	28	93			172	31
						236	24	89			200	19
R07..	0,19	32	1300/1400	Imp.	72	236	33	105			200	31
						280	21	93			230	19
R10..	0,25	38	1300/1400	I./T.	72	280	42	114			230	27
						290	25	97			254	19
R18..	0,55	85	1300/1450	Term.	82	290	45	117			254	27
					106	370	2	108			300	19
R25..	0,78	110	1300/1400	Term.	116	370	14	130			300	23
R34..	0,76	120	1300/1400	Term.	121	370	28	150			300	27

Axial fans 4 pole

with bracket & impeller $\varnothing 154 \div \varnothing 300\text{mm}$

Serie E ...

Air direction



4 Pole SHADED POLE - 230 V – 50/60Hz (on demand 115V-50/60Hz.)

Operation mode	S1	Ambient temp.	-30°C ÷ +40°C	Marking CE + Ex (*)
Mounting position	All	Max. intake air	+ 50°C	Standard of ref.
Motor bearing	Sleeve or ball (*) bear.	Max. °C storage	-40°C ÷ +80°C	EN 60335-1/A15/2-24/2-89(*) Gas IIA
Motor protection	Imp or TH	Expect. life sleeve	Over 40.000 h	60034-1(REM) 60529(IP) 60079-15(*)
Locked rotor protec.	Yes	Housing	Die-casting Alum.	(*) II 3G Ex nA IIC T4 Gc
Insulation	B	Ring /fan guard /support	Steel	2006/42/CE(Mac) 2014/35/UE(Low V.)
IP protection	42 (on demand 44 or 55)	Impeller	Aluminium	2014/30/UE(EMC) 2015/863(RoHS3)

(*) suitable on demand

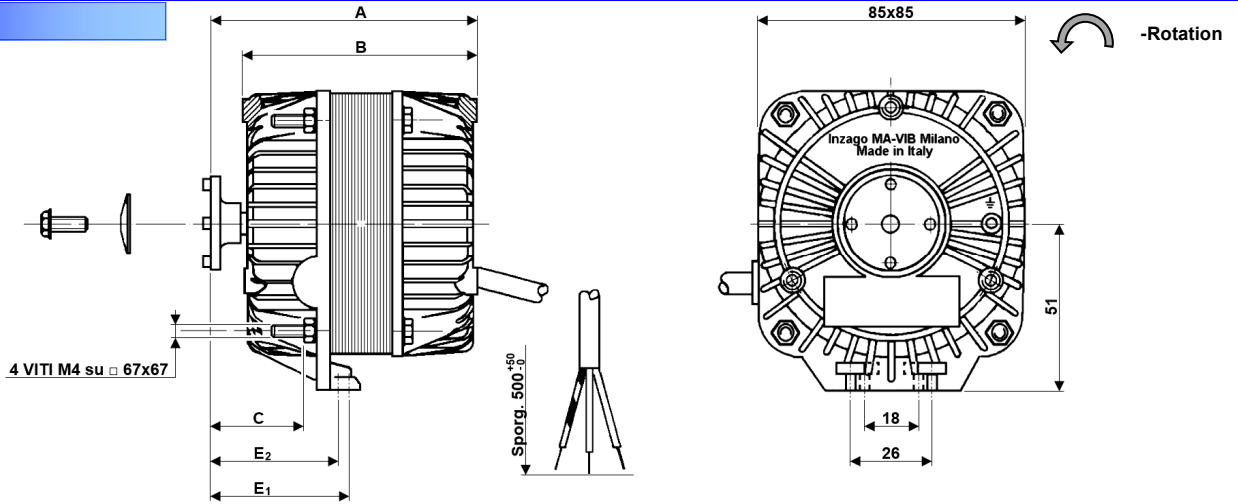
Serie E..

CODE	Lable data				Dimensions						Impeller	
	A.	W _{in}	RPM 50Hz/60Hz	Prot.	B	C	D	E	G	H	∅	incl. °
E05..	0,19	29	1300/1500	Imp.	75	90	45	95			154	31
						103		96			172	31
						122		91			200	19
E07..	0,19	32	1300/1400	Imp.	81	122	45	105			200	31
						134		93			230	19
E10..	0,25	38	1300/1400	I./T.	91	134	55	113			230	27
					81		45				95	254
E18..	0,55	85	1300/1450	Therm.	101	160	55	127			254	27
					91		45				109	300
E25..	0,78	110	1300/1400	Therm.	113	160	62	138			300	23
E34..	0,76	120	1300/1400	Therm.	120	160	62	158			300	27

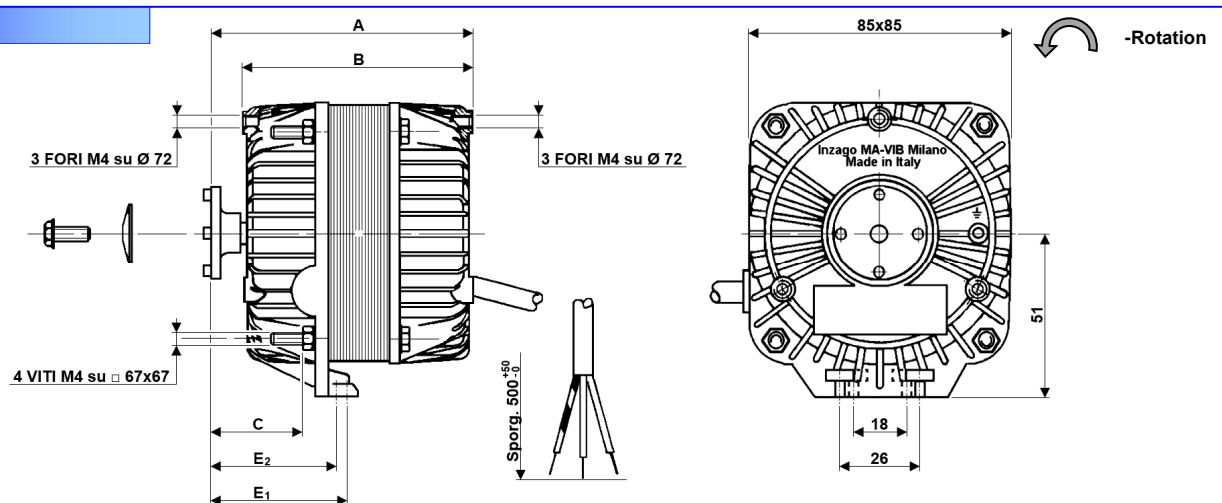
Universal 4 pole motors

multi fixing

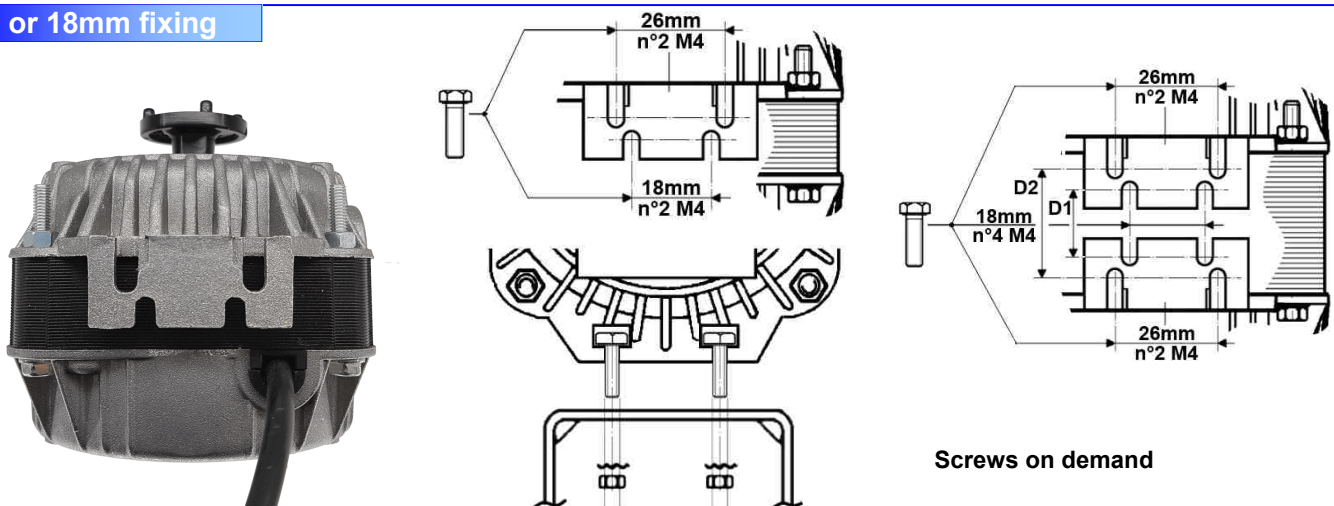
Serie A2



Serie A5



26 or 18mm fixing



Universal 4 pole motors

multi fixing

4 Pole SHADED POLE - 230 V – 50/60Hz (on demand 115V-50/60Hz.)

Operation mode	S1	Ambient temp.	-30°C ÷ +40°C	Marking CE + Ex (*)
Mounting position	All	Max. intake air	+ 50°C	Standard of ref.
Motor bearing	Sleeve or ball (*) bear.	Max. °C storage	-40°C ÷ +80°C	EN 60335-1/A15/2-24/2-89(*) Gas IIA
Motor protection	Imp or TH	Expect. life sleeve	Over 40.000 h	60034-1(REM) 60529(IP) 60079-15(*)
Locked rotor protec.	Yes	Housing	Die-casting Alum.	(*) II 3G Ex nA IIC T4 Gc
Insulation	B	Ring /fan guard /support	Steel	2006/42/CE(Mac) 2014/35/UE(Low V.)
IP protection	42 (on demand 44 or 55)	Impeller	Aluminium	2014/30/UE(EMC) 2015/863(RoHS3)

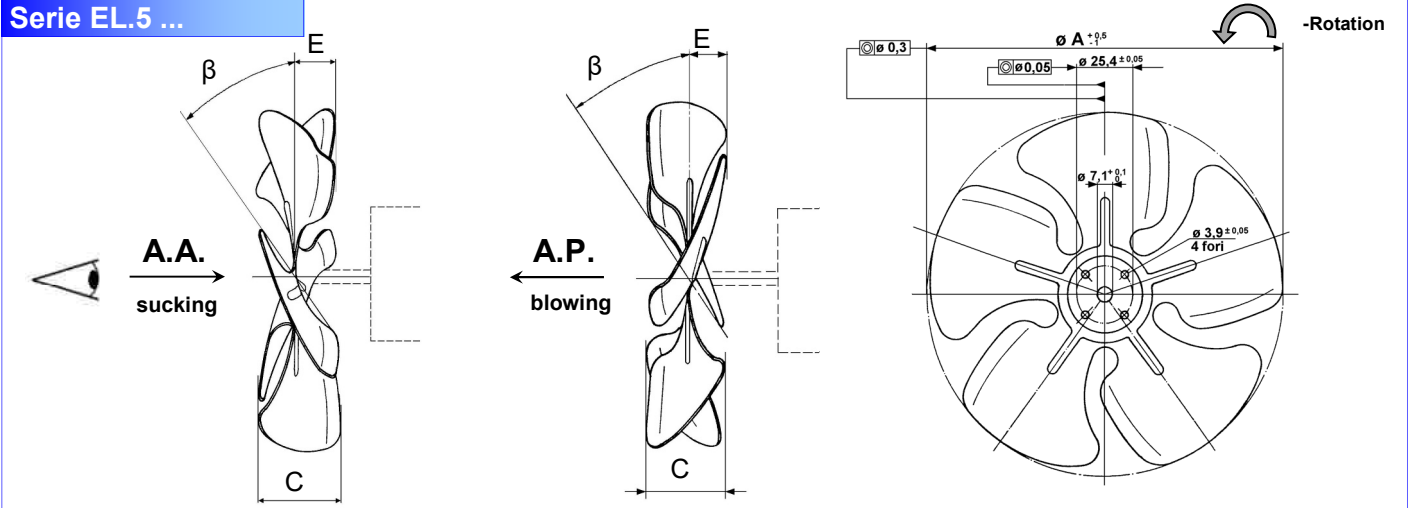
(*) suitable on demand

CODE	Lable data					Dimensions						Impeller	Airflow	Impeller max		
	A.	W _{in}	W _{out}	RPM	Prot.	A	B	C	18mm		26mm		std ø / incl., °	max, m ³ /h	ø / incl., °	ø / incl., °
				50Hz/60 Hz					D ₁	E ₁	D ₂	E ₂			@50Hz	@60Hz
EFCR 05 Y 0 A5	0,19	29	5	1300/1500	Imp.	75	61	32		48	43	200 / 19	343	154 / 31	154 / 31	
EFCR 05 Y 0 A2														172 / 31	172 / 31	
EFCR 10 Y 0 A5	0,25	38	10	1300/1400	I/T.	81	68	32		48	43	254 / 19	675	200 / 31	200 / 31	
EFCR 10 Y 0 A2														230 / 27	230 / 27	
EFCR 12 Y 0 A5	0,37	53	12	1300/1500	Therm.	81	68	32		48	43	254 / 23	700	230 / 31	230 / 27	
EFCR 12 Y 0 A2														254 / 27	254 / 23	
EFCR 16 Y 0 A5	0,43	68	16	1300/1400	Therm.	91	73	37		53	47	254 / 27	950	230 / 31	230 / 31	
EFCR 16 Y 0 A2														254 / 27	254 / 16	
EFCR 18 Y 0 A5	0,55	85	18	1300/1450	Therm.	101	78	42		57	52	300 / 19	1320	254 / 31	254 / 31	
EFCR 18 Y 0 A2														300 / 23	300 / 19	
EFCR 25 Y 0 A5	0,78	110	25	1300/1400	Therm.	112	88	44	20	60	30,5	55	300 / 23	1420	300 / 27	300 / 23
EFCR 25 Y 0 A2															300 / 27	300 / 23
EFCR 34 Y 0 A5	0,76	120	34	1300/1400	Therm.	120	93	46	25	62	35,5	57	300 / 27	1625	300 / 27	300 / 27

Aluminium impeller

5 blades

Serie EL.5 ...



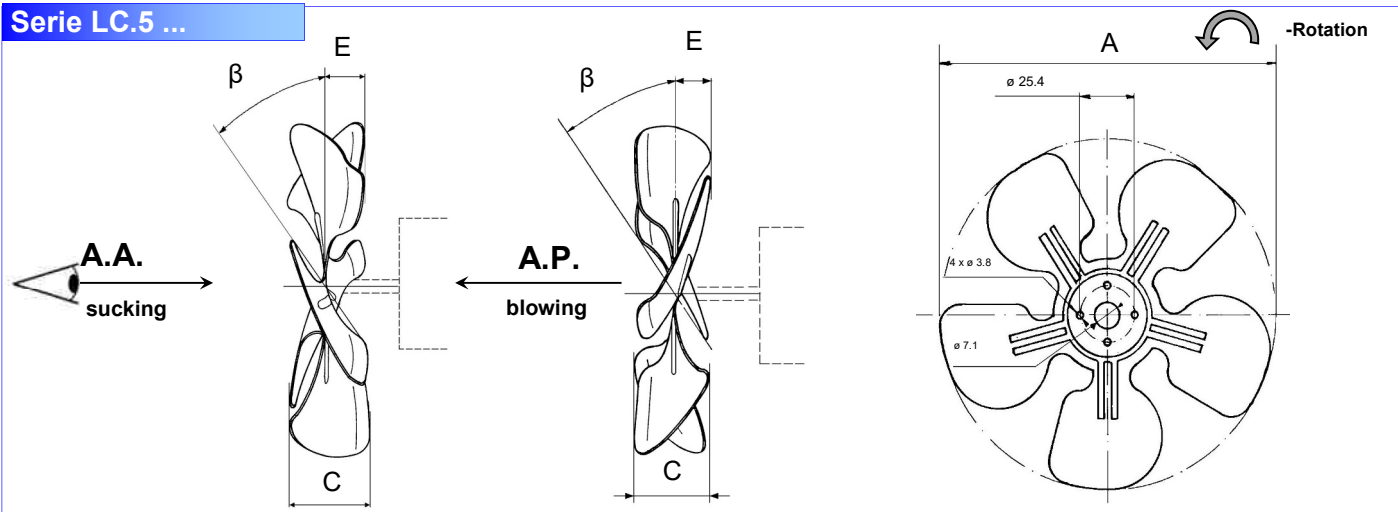
Serie EL.5 ...

CODE	Dimensions						Motors combination
	A	B	C ± 2mm		E ± 1.5mm		
	ø, mm	Incl, °	A.A.	A.P.	A.A.	A.P.	
EL . 5 . 154 . 19	154	19°	20	26	11	12	See each motor version
EL . 5 . 154 . 23	154	23°	25	30	12	12	
EL . 5 . 154 . 27	154	27°	29	35	12	16	
EL . 5 . 154 . 31	154	31°	32	41	12	20	
EL . 5 . 172 . 19	172	19°	27	26	12	15	
EL . 5 . 172 . 23	172	23°	31	31	14	17	
EL . 5 . 172 . 27	172	27°	36	36	16	16	
EL . 5 . 172 . 31	172	31°	38	41	18	20	
EL . 5 . 200 . 19	200	19°	31	32	15	16	
EL . 5 . 200 . 23	200	23°	35	36	17	17	
EL . 5 . 200 . 27	200	27°	42	43	19	18	
EL . 5 . 200 . 31	200	31°	45	49	22	24	
EL . 5 . 200 . 34	200	34°	-	51	-	26	
EL . 5 . 230 . 19	230	19°	31	37	20	14	
EL . 5 . 230 . 23	230	23°	41	40	21	24	
EL . 5 . 230 . 27	230	27°	47	47	25	26	
EL . 5 . 230 . 31	230	31°	54	52	30	24	
EL . 5 . 254 . 19	254	19°	34	39	20	17	
EL . 5 . 254 . 23	254	23°	45	45	21	24	
EL . 5 . 254 . 27	254	27°	53	52	27	27	
EL . 5 . 254 . 31	254	31°	61	58	34	27	
EL . 5 . 254 . 37	254	37°	-	70	-	28	
EL . 5 . 300 . 19	300	19°	43	42	25	19	
EL . 5 . 300 . 23	300	23°	50	54	22	24	
EL . 5 . 300 . 27	300	27°	61	59	23	26	
EL . 5 . 300 . 31	300	31°	-	67	-	33	
EL . 5 . 315 . 19	315	19°	51	-	25	-	
EL . 5 . 315 . 23	315	23°	61	-	29	-	
EL . 5 . 315 . 27	315	27°	71	-	32	-	
EL . 5 . 315 . 31	315	31°	-	-	-	-	
EL . 5 . 350 . 19	350	19°	44	-	23	-	
EL . 5 . 350 . 23	350	23°	52	-	24	-	
EL . 5 . 350 . 27	350	27°	66	-	30	-	
EL . 5 . 350 . 31	350	31°	71	-	33	-	

Aluminium impeller

5 blades

Serie LC.5 ...



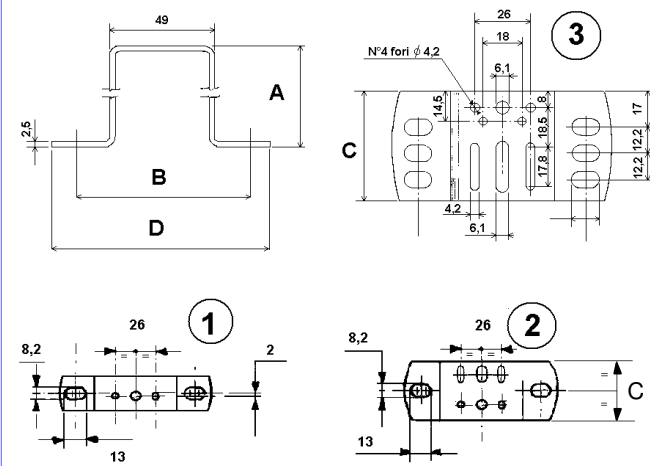
Serie LC.5 ...

CODE	Dimensions						Motors combination
	A	β	C \pm 2mm		E \pm 1.5mm		
	\emptyset , mm	Incl, °	A.A.	A.P.	A.A.	A.P.	
LC . 5 . 172 . 22	172	22°					See each motor vesion
LC . 5 . 172 . 28	172	28°	36		17		
LC . 5 . 172 . 34	172	34°	42		26		
LC . 5 . 200 . 22	200	22°					
LC . 5 . 200 . 28	200	28°	37		18		
LC . 5 . 200 . 34	200	34°	46		28		
LC . 5 . 254 . 22	254	22°					
LC . 5 . 254 . 28	254	28°	39		19		
LC . 5 . 254 . 34	254	34°	50		21		

Accessories

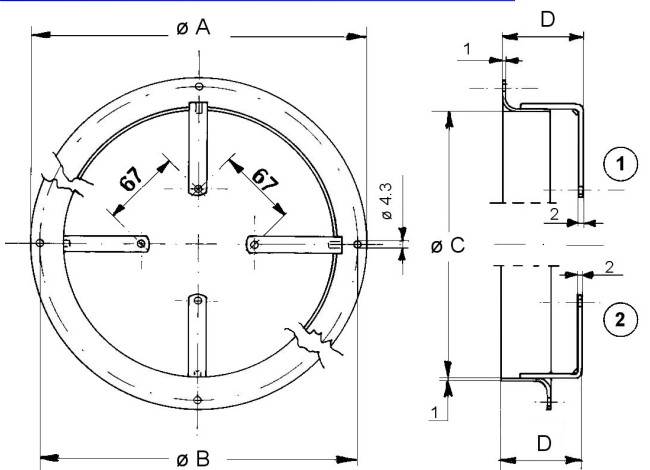
universal 4 pole motors

Staffe - Bracket - Support - Fuß



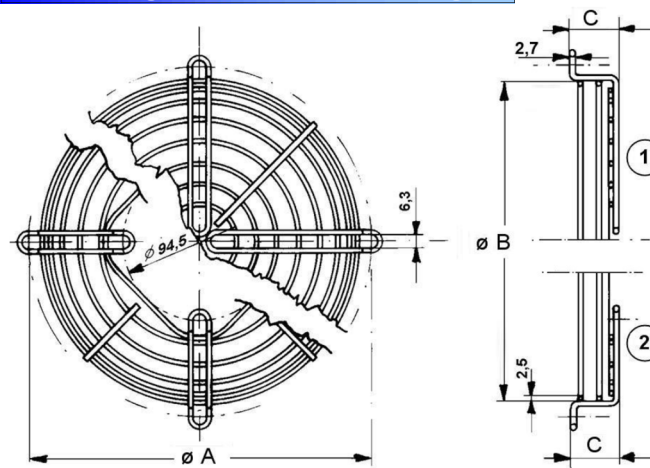
CODE	Dimensions				Pacco mm	Fig.
	A	B	C	D		
087.0119.0000	39	78	25	101	13/20	1
087.0102.0000	52	78	25	101	13/20	
087.0100.0000	71	78	25	101	13/20	
087.0101.0000	83	78	25	101	20/25	2
087.0116.0000	83	78	42	101	30	3
087.0120.0000	83	78	52	101	30/40/45	
087.0125.0000	108,5	78	52	101		3
087.0123.0000	55	130	25	153	13/20	1
087.0212.0000	72	133	25	156	13/20	
087.0211.0000	72	159	25	182	13/20	
087.0213.0000	110,5	154	52	177	30/40/45	3

Bocchigli - Ring - Virole - Ring



CODE	Dimensions				Impeller ø, mm	Fig.
	A	B	C	D		
079.0301.0000	200	190	162	46	154	1
079.0303.0000	222	208	180	46,5	172	
079.0305.0000	246	236	208	47	200	
079.0309.0000	276	266	238	51	230	
079.0308.0000	300	290	262	51	254	
079.0310.0000	356	344	308	51	300	2
079.0201.0000	200	190	162	46	154	
079.0203.0000	222	208	180	46,5	172	
079.0205.0000	246	236	208	46,5	200	
079.0212.0000	276	266	238	51	230	
079.0209.0000	300	290	262	51	254	
079.0210.0000	356	344	308	51	300	

Reti - Fanguard - Grille - Schutzgitter

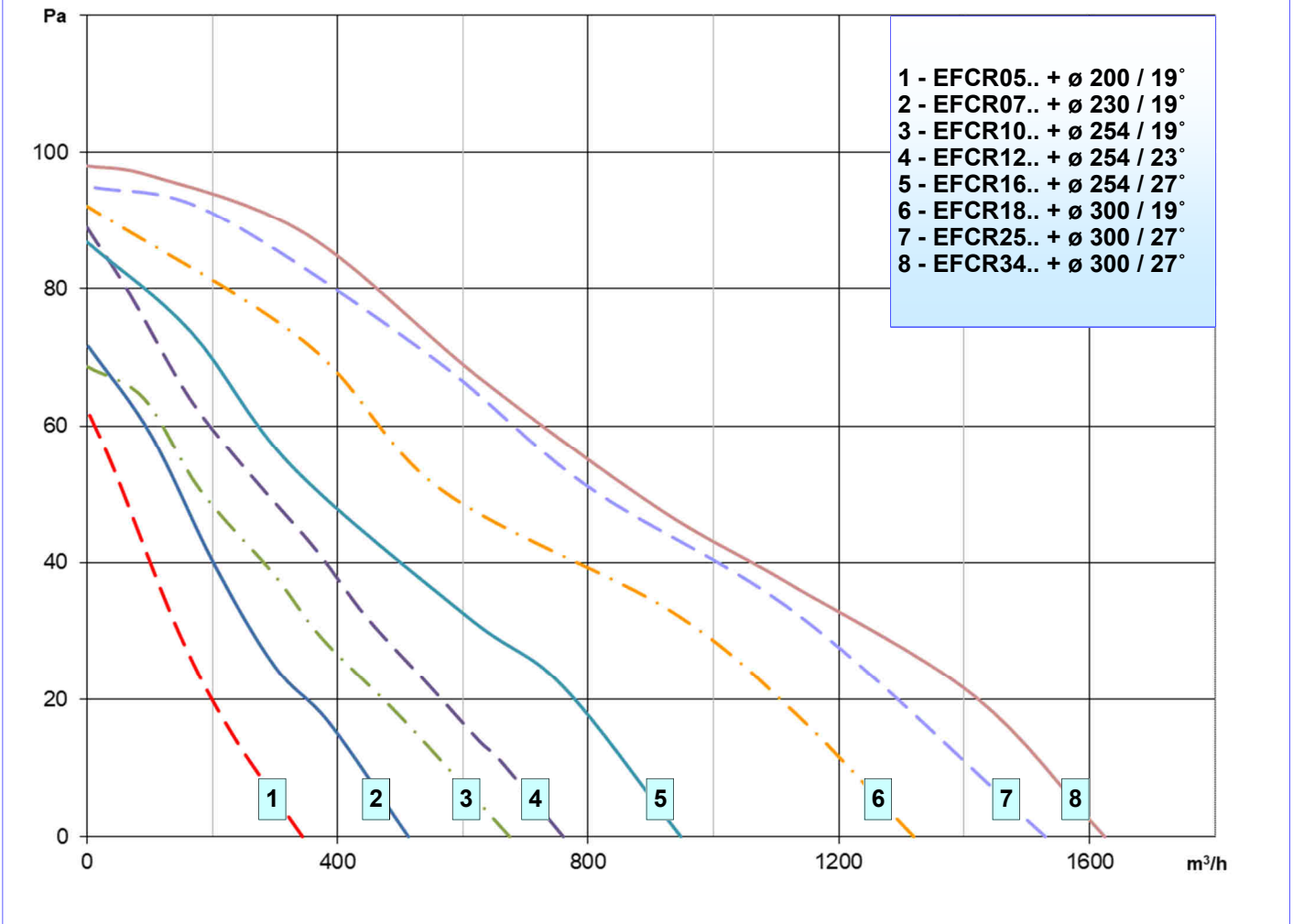


CODE	Dimensions			Impeller ø, mm	Fig.
	A	B	C		
036.0304.0000	208	188	26	172	1
036.0312.0000	236	226	26	200	
036.0300.0000	270	246	26	230	
036.0301.0000	290	267	36	254	
036.0412.0005	365	340	50	300	
036.0305.0000	208	188	26	172	2
036.0203.0000	236	223	26	200	
036.0200.0000	280	246	26	230	
036.0201.0000	289	266	26	254	
036.0201.0037	289	266	37	254	
036.0412.0000	365	340	47	300	
036.0354.0000	420	380	53	350	

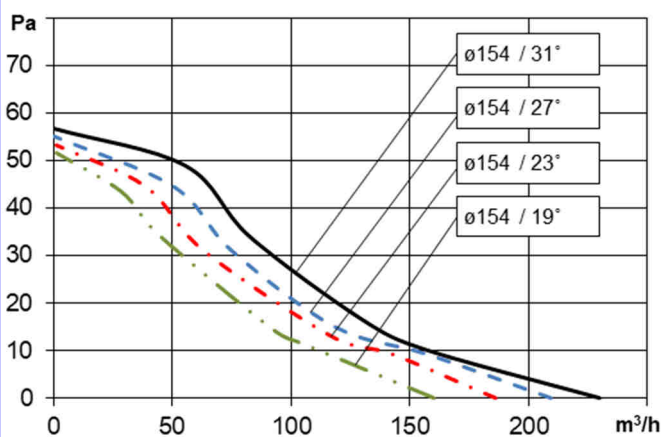
Performances curves

axial fans 4 pole $\varnothing 154\text{mm} \div \varnothing 300\text{mm}$

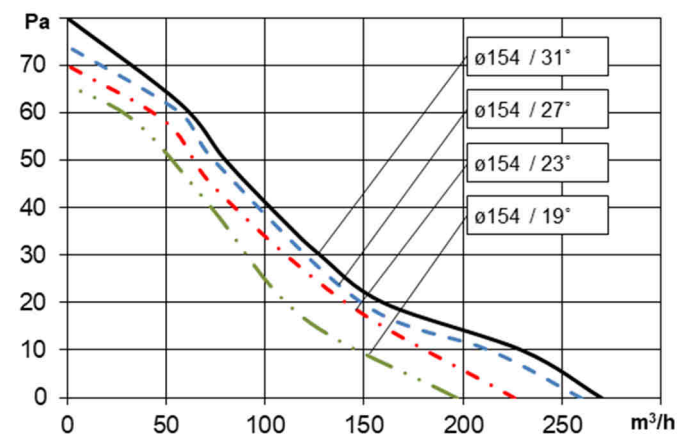
Fast selection : motor + impeller standard



EFCR05..., $\varnothing 154$, 50Hz



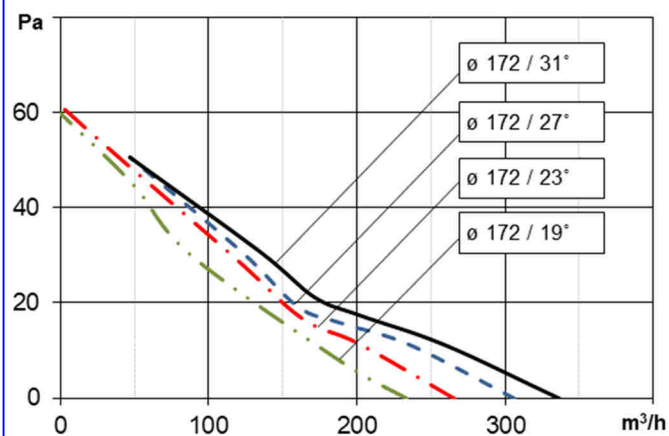
EFCR05..., $\varnothing 154$, 60Hz



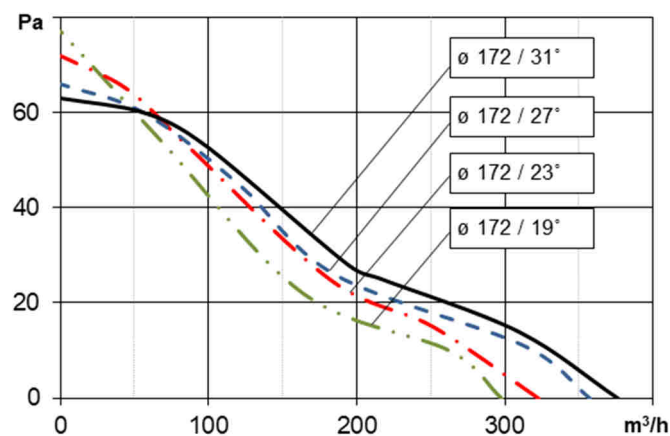
Performances curves

axial fans 4 pole

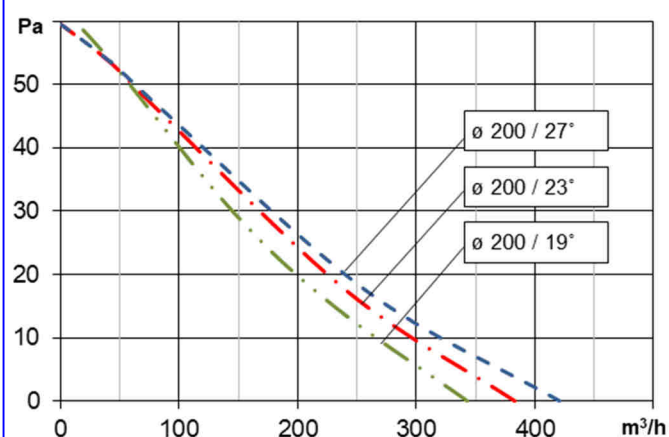
EFCR05..., ø172, 50Hz



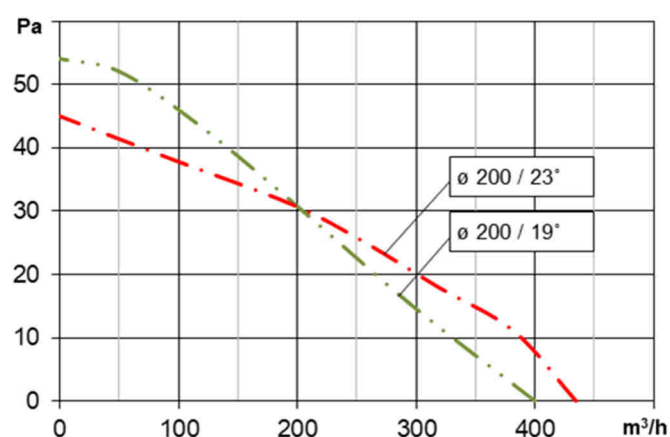
EFCR05..., ø172, 60Hz



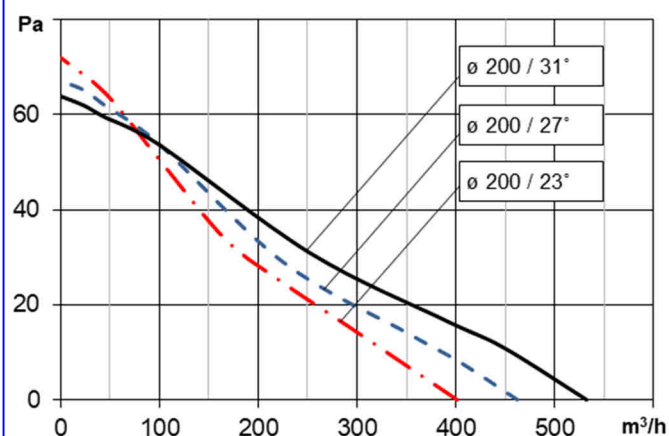
EFCR05..., ø200, 50Hz



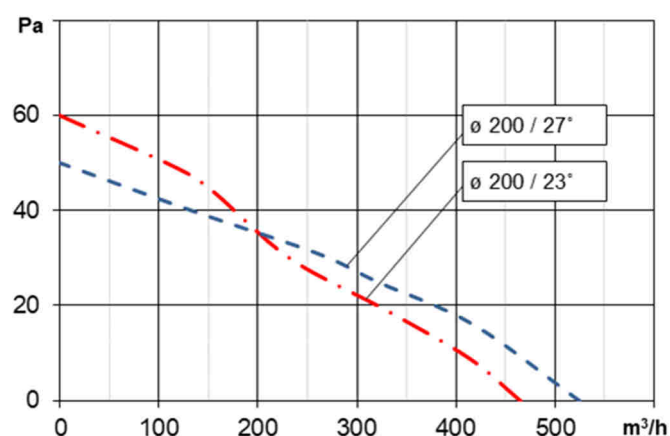
EFCR05..., ø200, 60Hz



EFCR07..., ø200, 50Hz



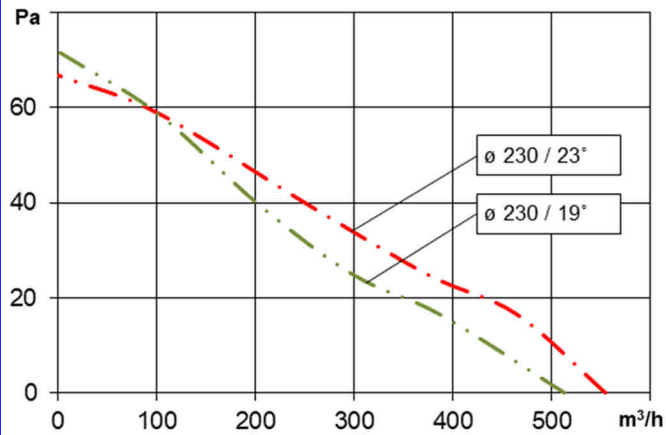
EFCR07..., ø200, 60Hz



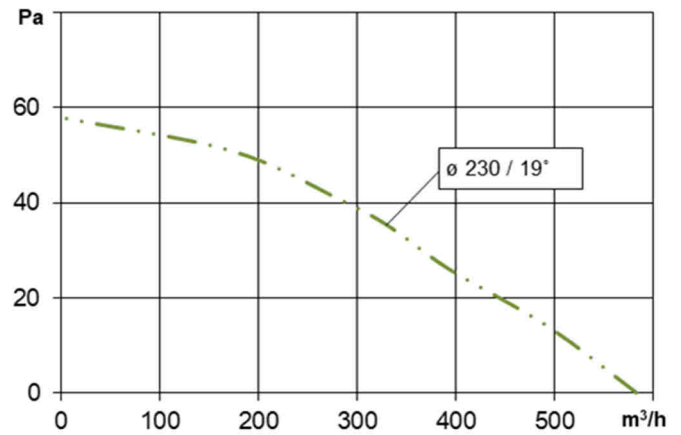
Performances curves

axial fans 4 pole

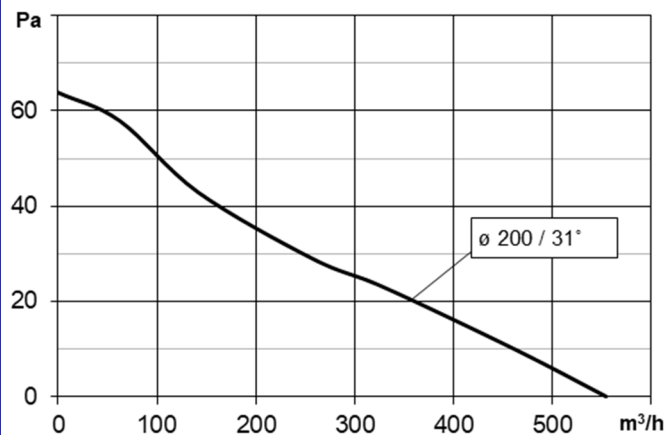
EFCR07..., ø230, 50Hz



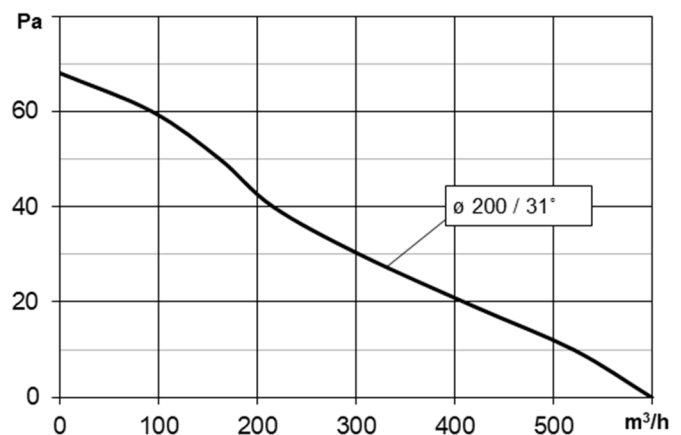
EFCR07..., ø230, 60Hz



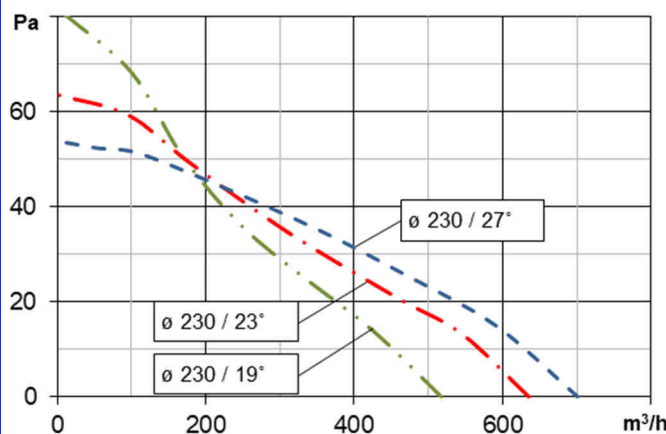
EFCR10..., ø200, 50Hz



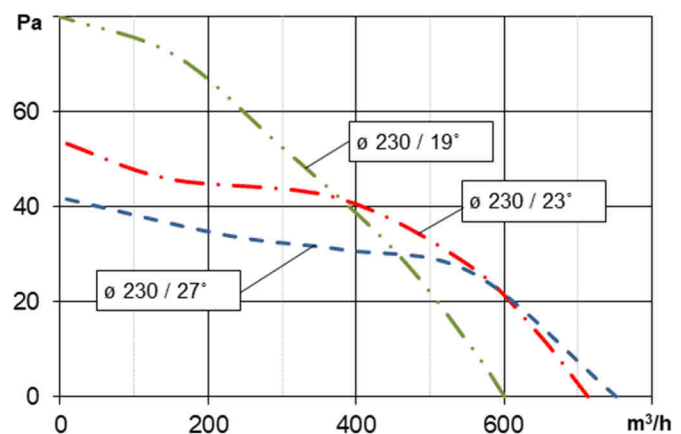
EFCR10..., ø200, 60Hz



EFCR10..., ø230, 50Hz



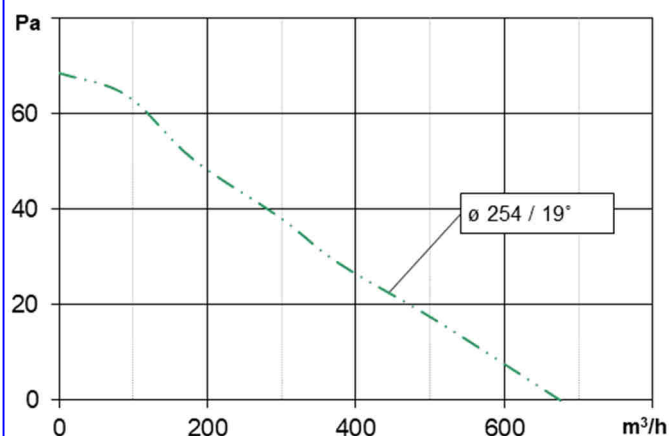
EFCR10..., ø230, 60Hz



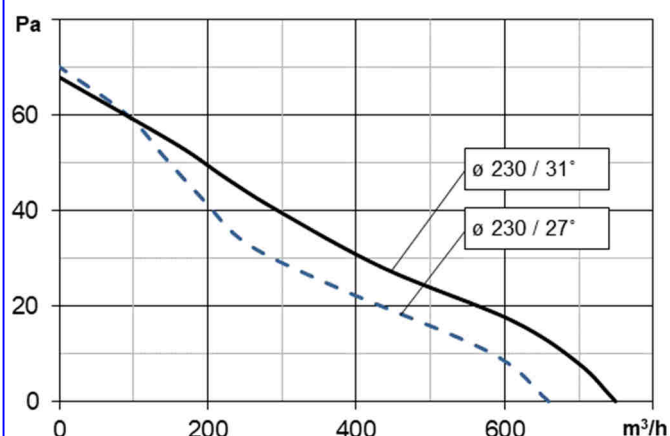
Performances curves

axial fans 4 pole

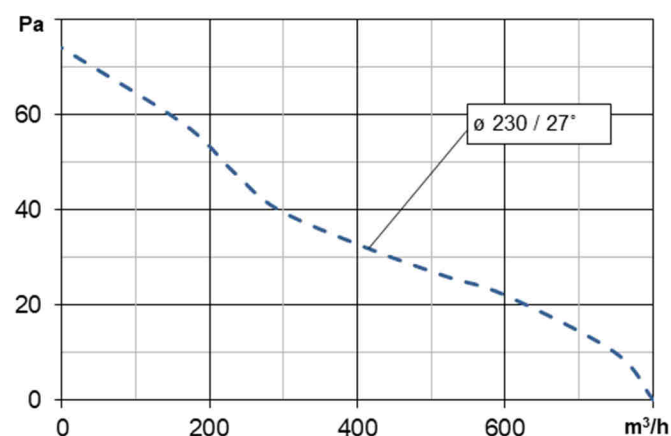
EFCR10..., ø254, 50Hz



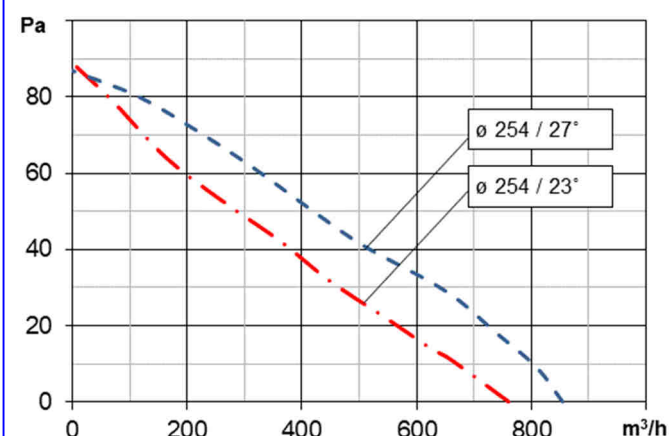
EFCR12..., ø230, 50Hz



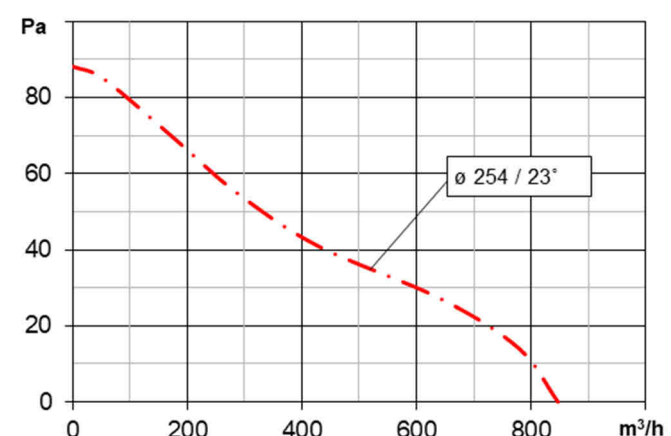
EFCR12..., ø230, 60Hz



EFCR12..., ø254, 50Hz



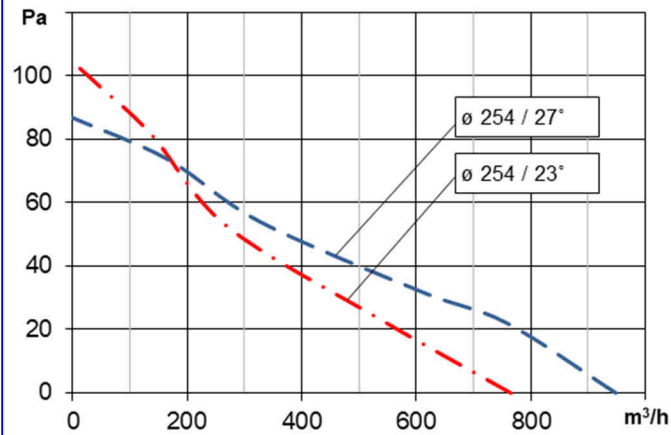
EFCR12..., ø254, 60Hz



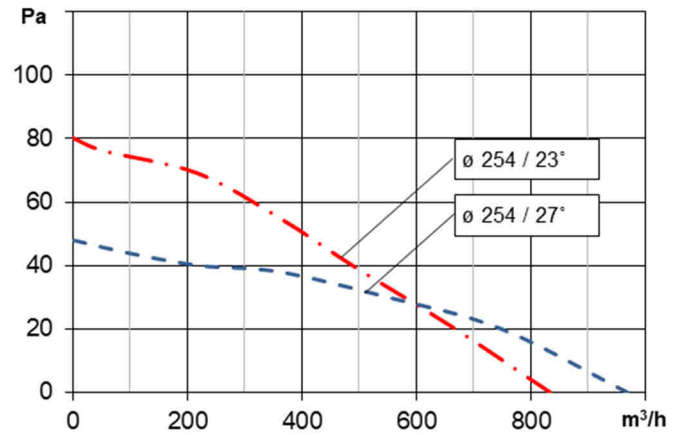
Performances curves

axial fans 4 pole

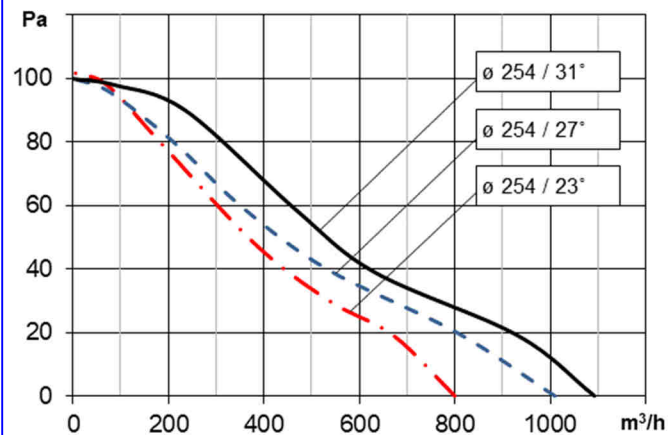
EFCR16..., ø254, 50Hz



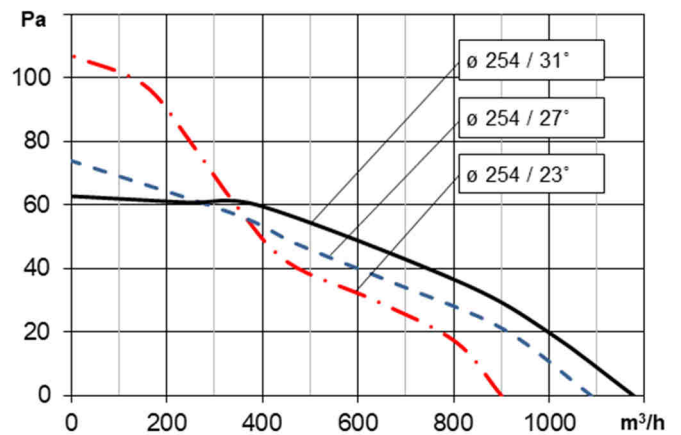
EFCR16..., ø254, 60Hz



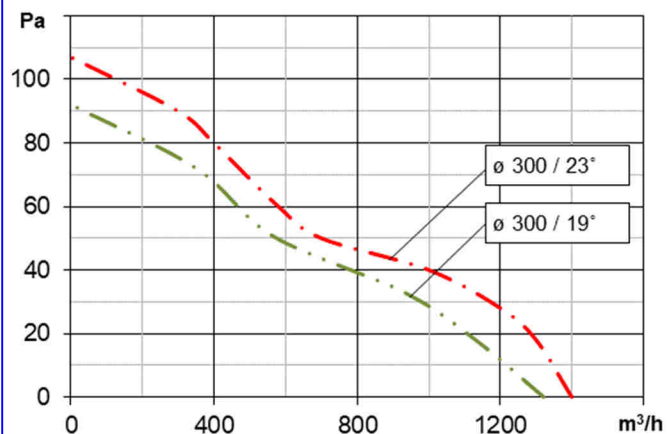
EFCR18..., ø254, 50Hz



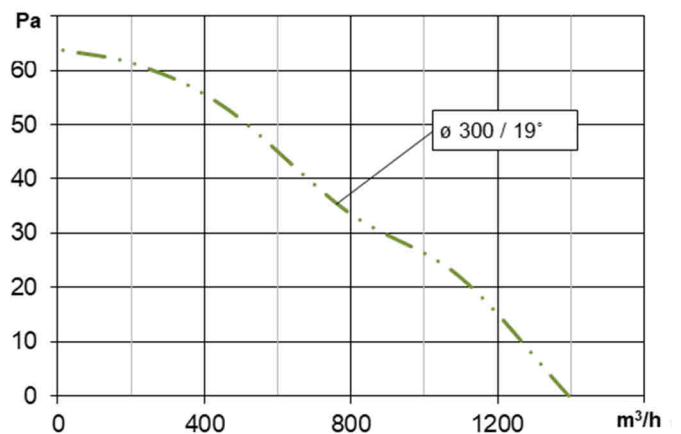
EFCR18..., ø254, 60Hz



EFCR18..., ø300, 50Hz



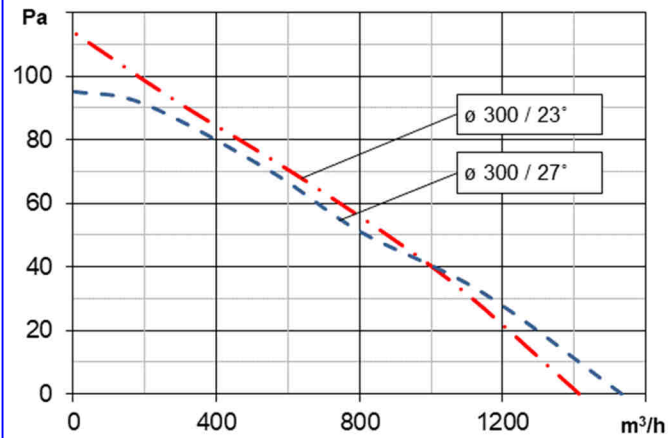
EFCR18..., ø300, 60Hz



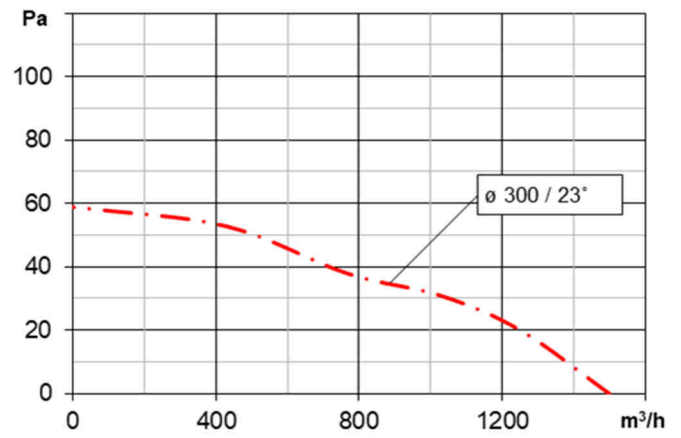
Performances curves

axial fans 4 pole

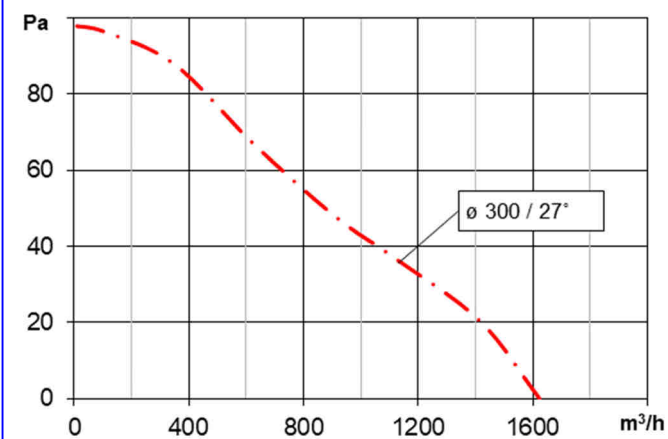
EFCR25..., ø300, 50Hz



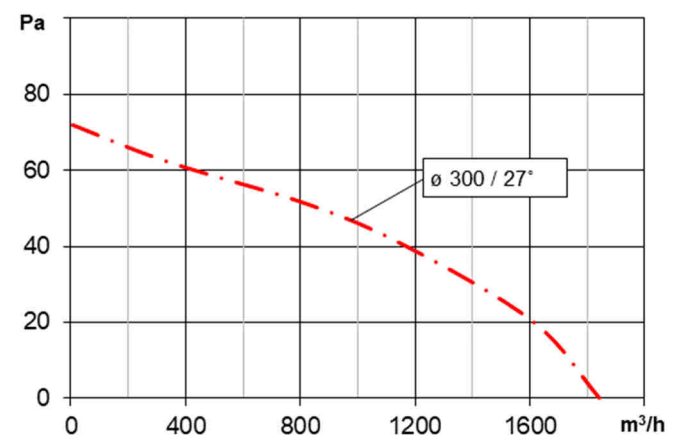
EFCR25..., ø300, 60Hz



EFCR34..., ø300, 50Hz

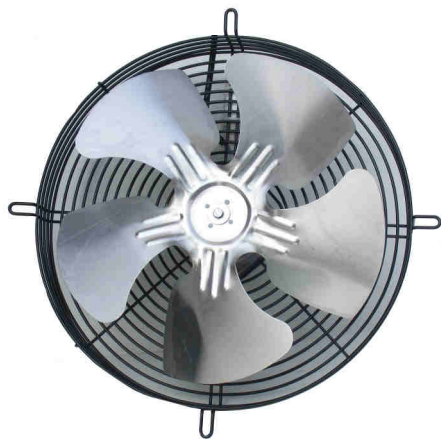


EFCR34..., ø300, 60Hz



Axial fans Ø300 ÷ Ø500mm 4 & 6 pole

with impeller and fan guard or bracket



Ventilatori Assiali

Axial Fans

Ventilateurs Axiaux

Axialventilatoren

MOTORE :

4 o 6 poli a condensatore

MOTOR :

4 or 6 Pole, PSC version

MOTEUR :

4 et 6 pôles à condensateur

MOTOR :

4 oder 6 polige Kondensatormotoren

CARCASSA :

Coperchi in alluminio pressofuso
boccaglio, staffe e reti in Fe

HOUSING :

Die-casting aluminium body,
support, ring, fanguard on Fe

CARCASSE :

Pressofusion d' aluminium
support, virole et grille en Fe

VENTILATORGEHAUSE :

Druckguß Wandring Aluminium
Fuß, Ring, Schutzgitter aus Eiser

VENTOLA :

in alluminio

IMPELLER :

aluminium

HELICE :

aluminium

AXIALLÜFTERRAD :

Aluminium

CONNESSIONE

Cavo 3 x 0,75 x 500 mm
su richiesta :
Scatola di connessione, nr.1 PG9

MAINS CONNECTION

Cable 3 x 0,75 x 500 mm
on request
Connection box with 1 x PG9

CONNECTION :

Cable 3 x 0,75 x 500 mm
sur demande
Boite de connection avec 1 x PG9

NETZANSCHLUß :

Kabel 3 x 0,75 x 500 mm
auf Anfrage
Klemmkasten mit 1 x PG9

VOLTAGGI :

230V-50/60Hz. o 3ph x 400V

VOLTAGE RANGE :

230V-50/60Hz. or 3 x 400V

VOLTAGE :

230V-50/60Hz. ou 3 x 400V

SPANNUNG :

230V-50/60Hz. o 3ph x 400V

PROTEZIONE : IP42

su richiesta : IP54

PROTECTION : IP42

on request : IP54

PROTECTION : IP42

sur demande : IP54

SCHUTZART: IP42

auf Anfrage: IP54

ISOLAMENTO : " B "

INSULATION : " B "

ISOLATION : " B "

ISOLATIONSKLASSE: " B "

TEMPERATURA DI UTILIZZO :

da -30° C a + 40° C

OPERATING TEMPERATURE :

From -30° C to + 40° C

TEMPERATURE D'EXERCICE

de -30° C à + 40° C

TEMPERATUR BEREICH :

Von - 30°C bis + 40°C

FUNZIONALITA' : (S1)

Continua in tutte le posizioni

OPERATION : (S1)

Continuous in all positions

TRAVAIL : (S1)

Continu en toute position

BETRIEBSART : (S1)

Fortdauernd in den allen Lagen

MARCATURA : CE

in accordo a EN 60335.1
Bassa Tensione 2014/35/UE
Direttiva Macchine 2006/42/CE
EMC 2014/30/UE
RoHS3 2015/863

MARKED : CE

according to EN 60335.1
2014/35/UE Low Voltage
2006/42/CE Machine Directive
EMC 2014/30/UE
RoHS3 2015/863

MARQUAGE : CE

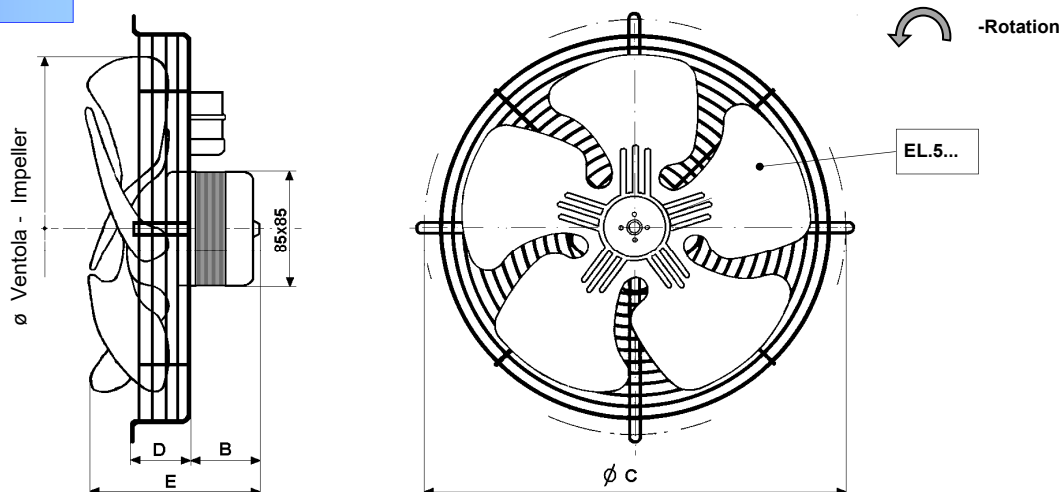
en accord avec EN 60335.1
2014/35/UE Basse Tension
2006/42/CE Machine Directive
EMC 2014/30/UE
RoHS3 2015/863

ZULASSUNGEN : CE

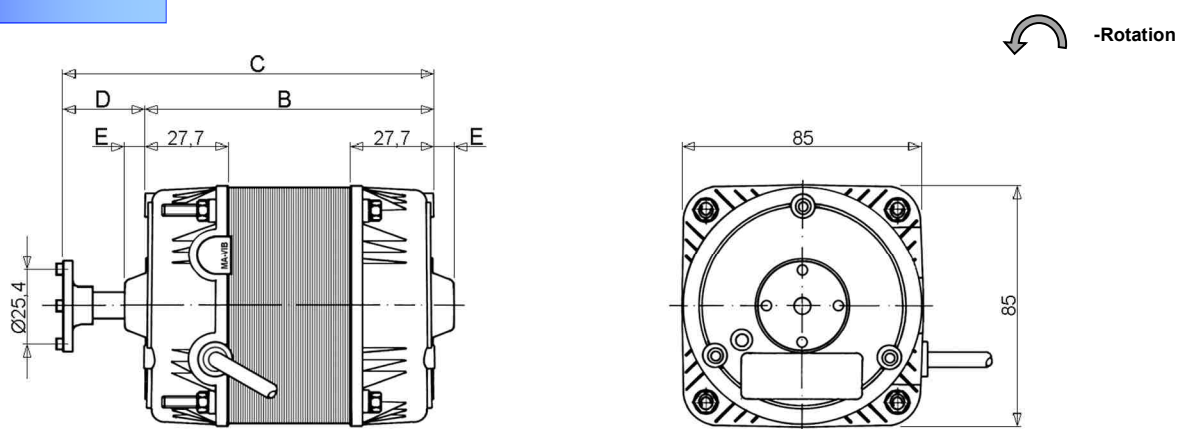
Abkommen mit EN 60335.1
2014/35/UE
2006/42/CE
EMC 2014/30/UE
RoHS3 2015/863

Axial fans Ø300 ÷ Ø350mm 4 pole with impeller and fan guard or bracket

Serie ER4L ...



Serie L4 ...

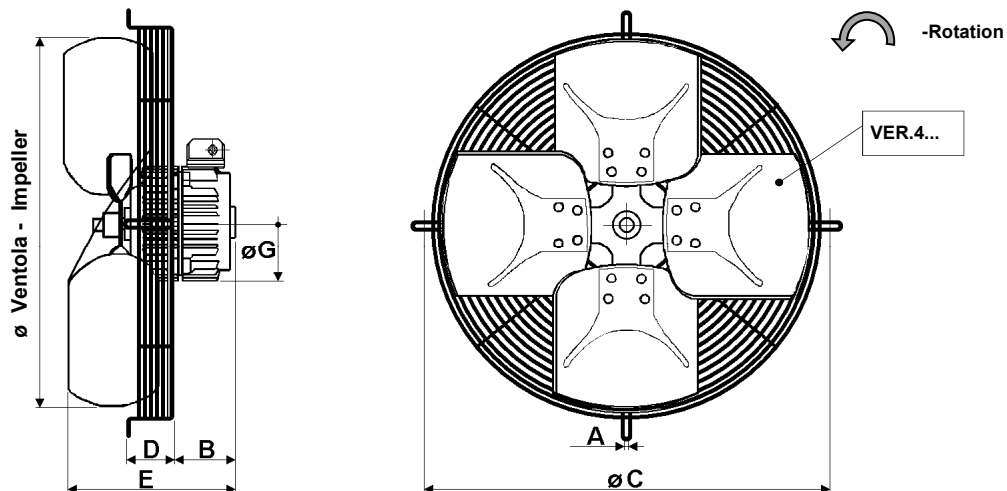


Serie ER - L ... : 230V - 50/60Hz - marcati cl. B , in accordo a EN.60335.1

CODE	Electric data				Dimensions				Impeller		Airflow	Pressure
	A.	W _{in}	RPM	µF	B	C	D	E	ø	incl, °	max, m ³ /h	max. Pa
ER4L330S ...	0,4	93	1300	2,5	71	370	47	160	300	27°	1800	118
ER4L331U ...	0,45	105	1300	2,5	71	370	47	160	315	31°	1930	121
ER4L335V ...	0,4	93	1300	2,5	71	420	53	170	350	23°	2000	115
ER4L535S ...	0,68	146	1300	3,15	93	420	53	180	350	27°	2700	130
L43Y...	0,4	93	1300	2,5	86	112	26		300	27°	1800	118
L43Y...	0,45	105	1300	2,5	86	112	26		315	31°	1930	121
L45Y...	0,68	146	1300	3,15	108	134	26	6,5	350	27°	2700	130

Axial fans Ø350 ÷ Ø500mm 4 or 6 pole with impeller and fan guard

Serie ER ...



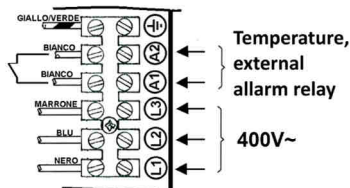
Connection box on request
Scatola di connessione a richiesta

Serie ER ... : 230V - 50/60Hz. o 400V 3PH - 50Hz, marcati CE , cl. B, conformi IEC/EN.60335-1

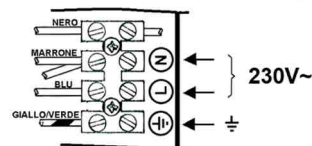
CODE	Electric data					Dimensions						Impeller		Airflow	Pressure
	V.	A.	W _{in}	RPM	µF	A	B	C	D	E	G	ø	incl, °	max, m ³ /h	max, Pa
ER4P335 ...	230	0,85	165	1350	3,15	8,5	77	420	50	203	124	350	33	2950	130
ER4P540 ...		1,20	280	1350	5	9,5	77	470	70	210	124	400	27	4000	130
ER4G645 ...		2,20	340	1450	8	9,5	85	534	85	230	145	450	27	6000	130
ER4G650 ...		2,15	440	1400	12,5	9,5	85	570	78	245	145	500	27	8000	130
ER6P335 ...	230	0,60	110	925	2,5	8,5	77	420	50	213	124	350	33	2300	50
ER6P540 ...		0,75	165	900	5	9,5	77	470	70	216	124	400	33	3100	50
ER6P545 ...		0,75	165	900	5	9,5	77	534	70	210	124	450	27	3900	65
ER6G650 ...		1,55	285	925	6,3	9,5	85	570	78	255	145	500	33	6600	70
ER4P335 ... J	3PH 400	0,38	200	1300		8,5	77	420	50	203	124	350	33	2950	135
ER4P340 ... J		0,66	345	1350		9,5	77	470	70	210	124	400	27	4000	135
ER4G645 ... J		1,25	570	1375		9,5	85	534	85	230	145	450	27	6000	135
ER4G650 ... J		1,25	570	1375		9,5	85	570	78	245	145	500	27	8000	140

Available pitch: 19° / 23° / 27° / 33°

CONNECTION DIAGRAM - 3ph



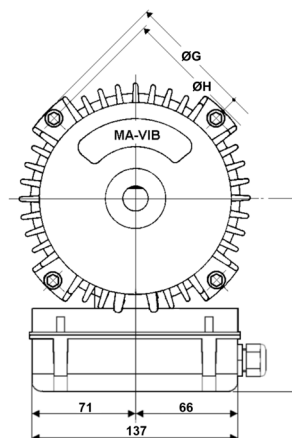
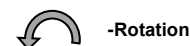
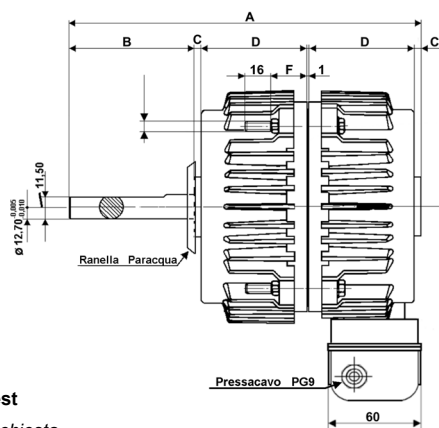
CONNECTION DIAGRAM - 1ph



Universal motors 4 or 6 pole

multi fixing

Serie M102P & M120G

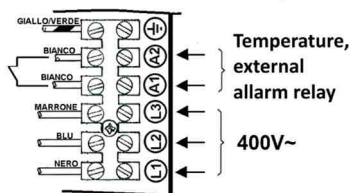


Connection box on request
Scatola di connessione a richiesta

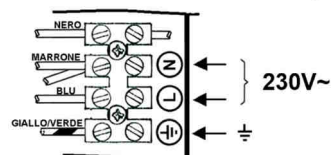
Serie M102 ... - M120... : marcati CE , cl. B, conformi IEC/EN.60335-1

CODE	Electric data							Dimensions								Impeller max	
	V. / Hz.	A	W _{in}	W _{out}	RPM	Prot.	µF	A	B	C	D	F	G	H	L	Ø	Incl, °
P43Y0 ...	230 / 50-60	0,85	165	85	1350	Therm.	3,15	188	67	4	56	18,5	133	122	115	350	33
P45Y0 ...	230 / 50-60	1,2	280	150	1350	Therm.	5	188	67	4	56	18,5	133	122	115	400	27
G46Y0 ...	230 / 50-60	2,20	340	170	1450	Therm.	8	221	90	5	60	24	153	142	127	450	27
G46Y0 ...	230 / 50-60	2,15	440	260	1400	Therm.	12,5	221	90	5	60	24	153	142	127	500	27
P63Y0 ...	230 / 50-60	0,45	110	50	950	Therm.	3,15	188	67	4	56	18,5	133	122	115	350	33
P65Y0 ...	230 / 50-60	0,75	165	80	950	Therm.	5	188	67	4	56	18,5	133	122	115	400	33
G66Y0 ...	230 / 50-60	1,45	215	100	950	Therm.	4	221	90	5	60	24	153	142	127	450	33
G66Y0 ...	230 / 50-60	1,55	285	135	925	Therm.	6,3	221	90	5	60	24	153	142	127	500	33
P43J0 ...	3PH 400/50	0,38	200	90	1300	Therm.		188	67	4	56	18,5	133	122	115	350	33
P45J0 ...	3PH 400/50	0,56	275	170	1400	Therm.		188	67	4	56	18,5	133	122	115	400	27
G66J0 ...	3PH 400/50	1,25	570	-	1375	Therm.		221	90	5	60	24	153	142	127	450	27
G66J0 ...	3PH 400/50	1,25	570	-	1375	Therm.		221	90	5	60	24	153	142	127	500	27

CONNECTION DIAGRAM - 3ph



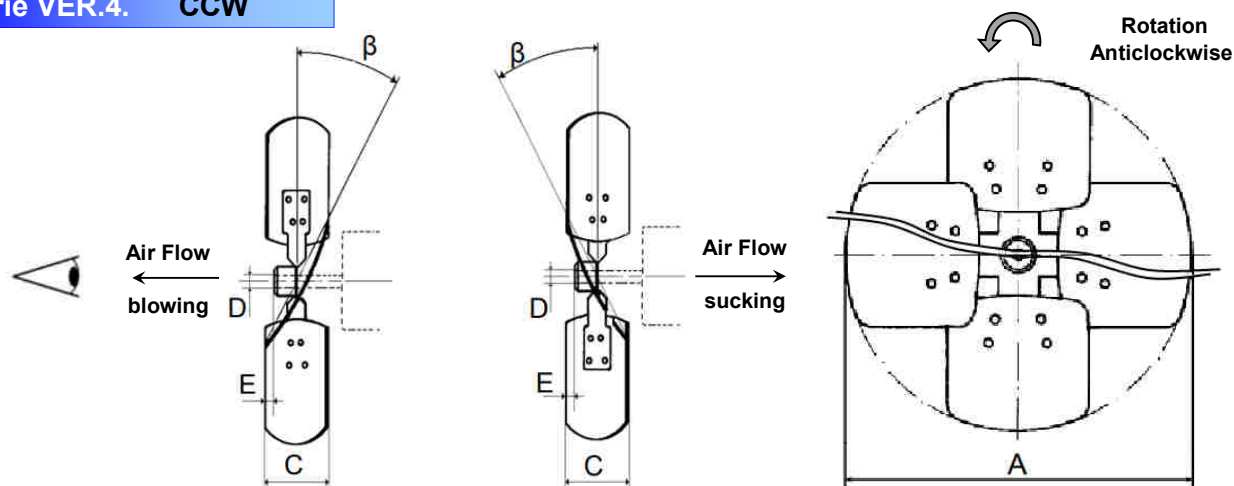
CONNECTION DIAGRAM - 1ph



Aluminum impeller

4 balde - VER serie

Serie VER.4. CCW

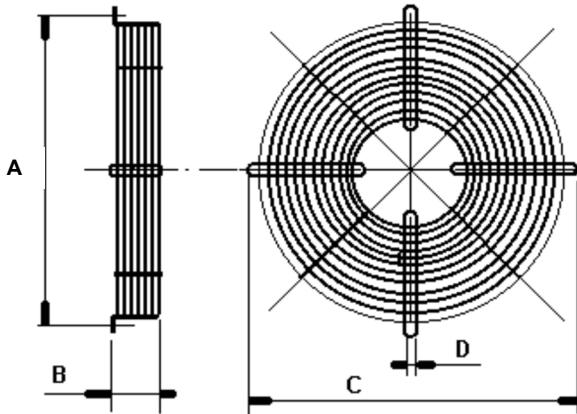


CODE	Dimensions						Motors combination
	A ø	B Incl, °	C	D	E		
					A.A.	A.P.	
VER.4.300.18x	300	18°	54	9.52 12.7	4	19	see Performance curves at fix rpm 900 and 1350rpm or abbined to our motor on ER version
VER.4.300.23x		23°	64		4	24	
VER.4.300.27x		27°	73		9	28	
VER.4.300.33x		33°	85		17	30	
VER.4.350.18x	350	18°	60	9.52 12.7	6	20	
VER.4.350.23x		23°	74		13	28	
VER.4.350.27x		27°	88		15	37	
VER.4.350.33x		33°	104		25	42	
VER.4.400.18x	400	18°	66	12,7	6	24	
VER.4.400.23x		23°	85		23	31	
VER.4.400.27x		27°	95		20	37	
VER.4.400.33x		33°	112		28	46	
VER.4.450.18x	450	18°	70	12,7	5	25	
VER.4.450.23x		23°	95		22	40	
VER.4.450.27x		27°	103		22	43	
VER.4.450.33x		33°	120		30	50	
VER.4.500.19x	500	19°	78	12.7 14	8	35	
VER.4.500.23x		23°	102		18	48	
VER.4.500.27x		27°	113		26	55	
VER.4.500.33x		33°	132		37	62	

Accessories

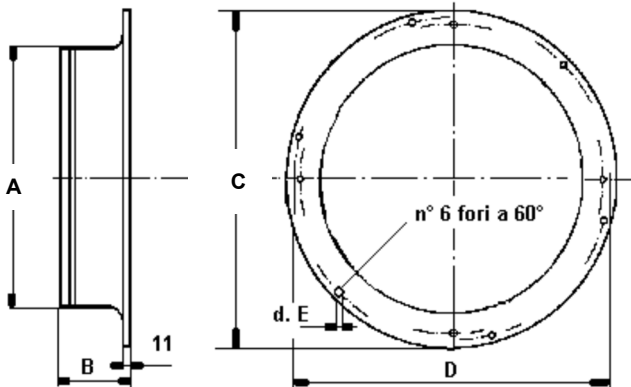
4 or 6 pole universal motors

Reti - Fanguard - Grille - Schutzgitter



CODE	Dimensions				Motor	Impeller
	A	B	C	D		
036.0412.0000	370	47	390	6,5	Lxx (82) .	300
036.0354.0000	420	53	437	8,5	Lxx (82) .	350
036.0412.0004	370	52	390	8,5	Pxx (102)	300
036.0413.0002	420	56	437	8,5	Pxx (102)	350
036.0407.0003	471	76	498	9,5	Pxx (102)	400
036.0416.0001	534	70	557	9,5	Pxx (102)	450
036.0424.4000	470	85	496	9,5	Gxx (120)	400
036.0424.4501	534	86	557	9,5	Gxx (120)	450
036.0419.0002	570	80	590	9,5	Gxx (120)	500

Bocagli - Ring - Virole - Ring

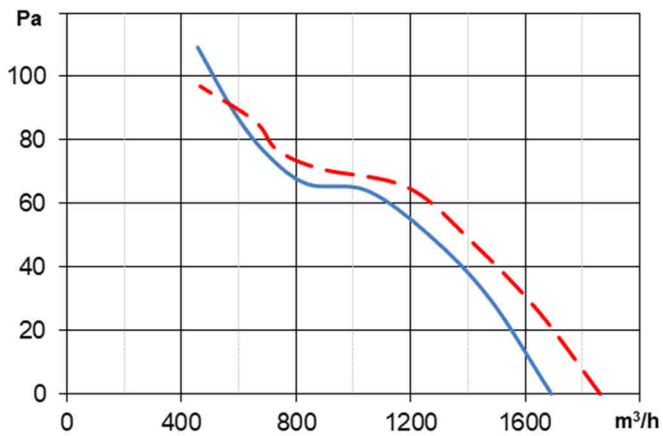


CODE	Dimensions					Impeller
	A	B	C	D	E	
049.0148.0000	314	86	397	380	9	300
049.0144.0000	364	86	460	442	9	350
049.0149.0000	413	105	524	498	9	400
049.0150.0000	466	105	574	550	11	450
049.0147.0000	514	120	657	628	11	500

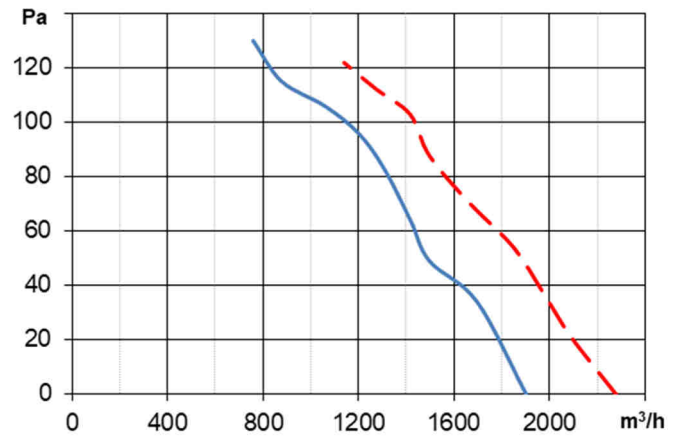
Performances curves

4 pole axial fans EL.5 Ø300 ÷ Ø350mm

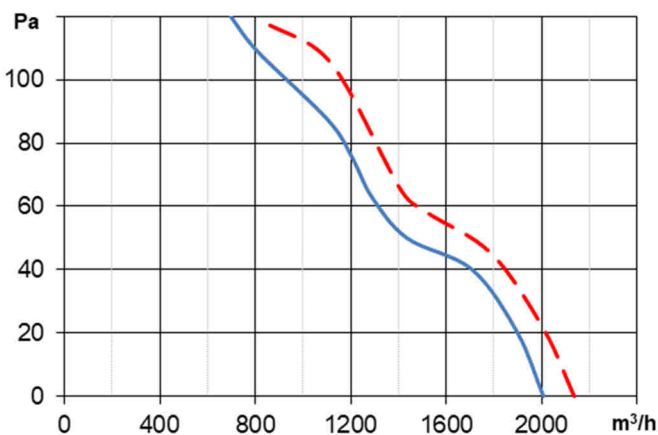
ER4L330S. ø 300/27° — 50Hz — 60Hz



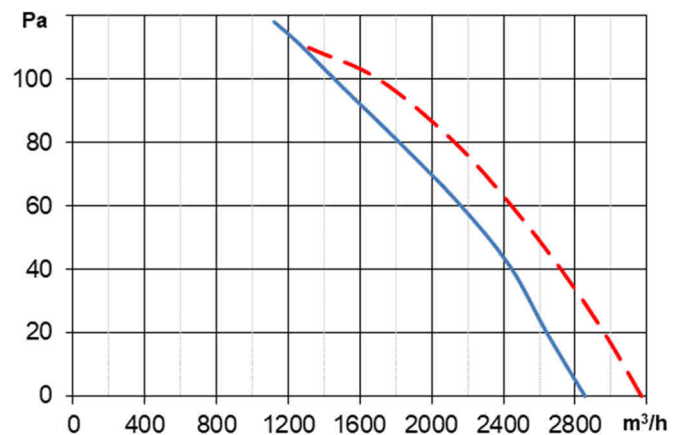
ER4L331U. ø 315/31° — 50Hz — 60Hz



ER4L335V. ø350/23° — 50Hz — 60Hz



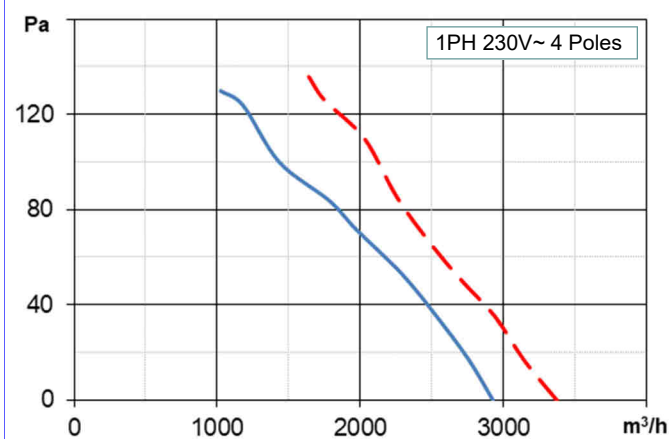
ER4L535S. ø350/27° — 50Hz — 60Hz



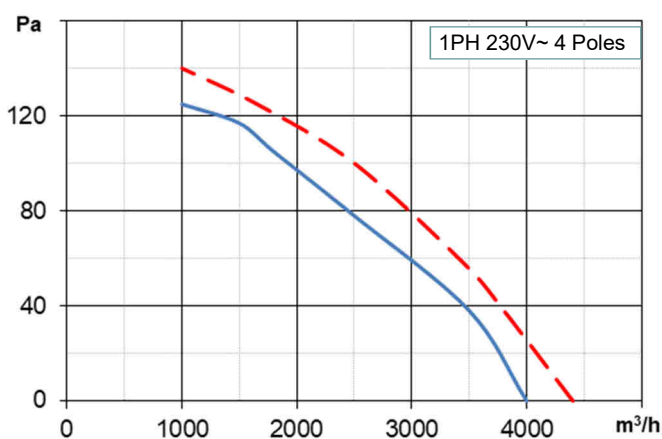
Performances curves

4 or 6 pole axial fans VER $\varnothing 350 \div \varnothing 400\text{mm}$

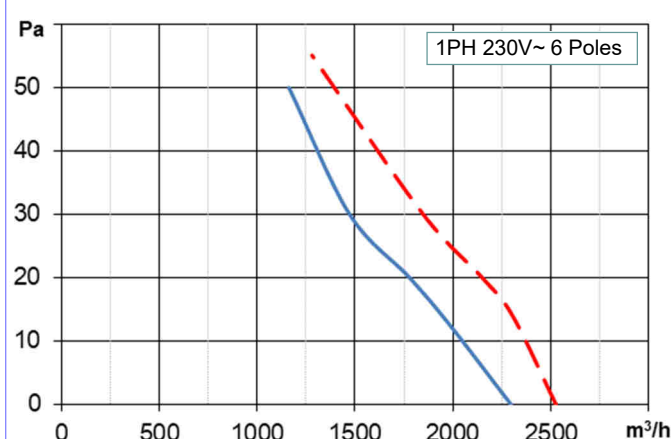
... 4P335... $\varnothing 350/33^\circ$ — 50Hz — 60Hz



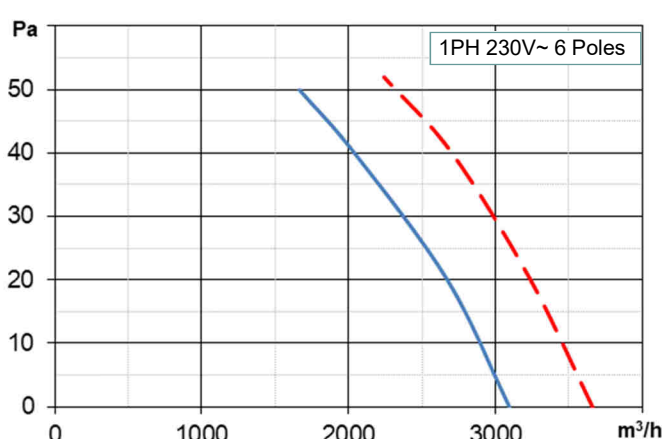
... 4P540... $\varnothing 400/27^\circ$ — 50Hz — 60Hz



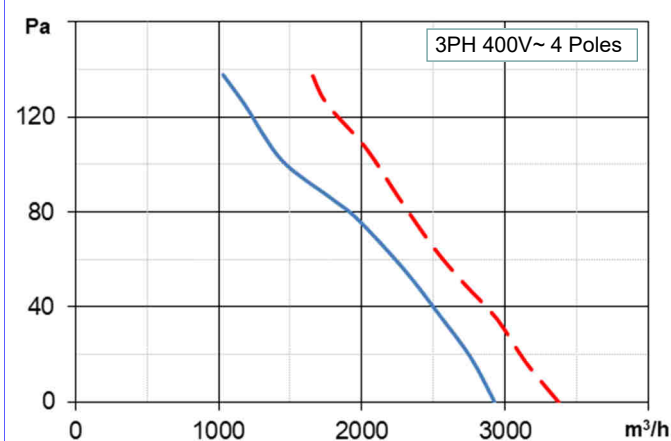
... 6P335... $\varnothing 350/33^\circ$ — 50Hz — 60Hz



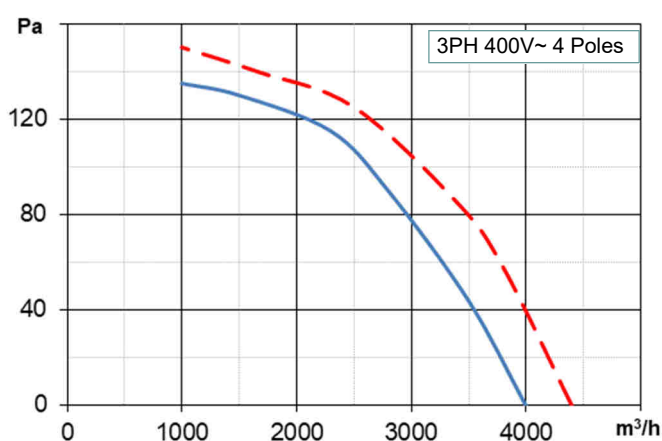
... 6P540... $\varnothing 400/33^\circ$ — 50Hz — 60Hz



... 4P335...J $\varnothing 350/33^\circ$ — 50Hz — 60Hz



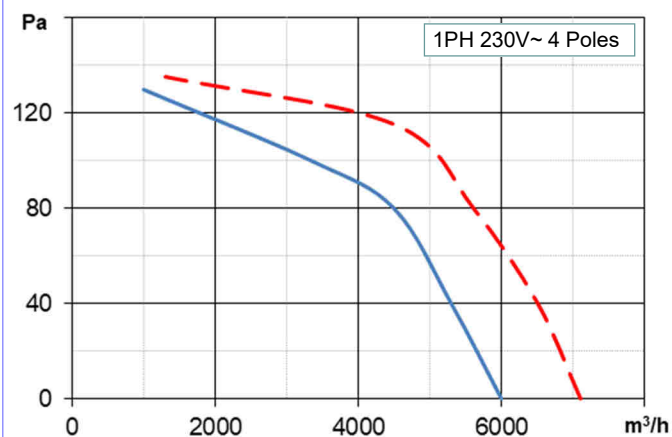
... 4P340...J $\varnothing 400/27^\circ$ — 50Hz — 60Hz



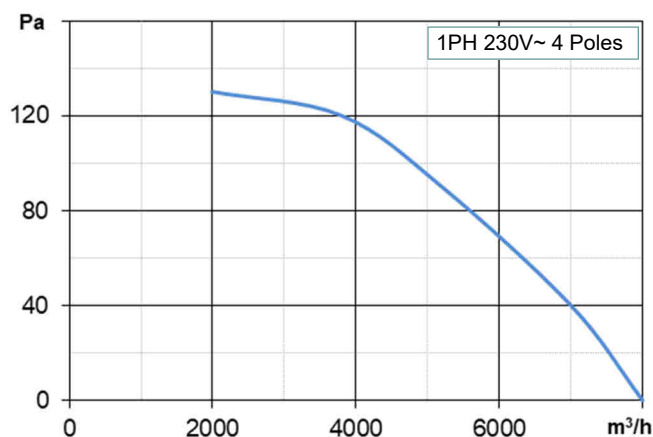
Performances curves

4 or 6 pole axial fans VER Ø450 ÷ Ø500mm

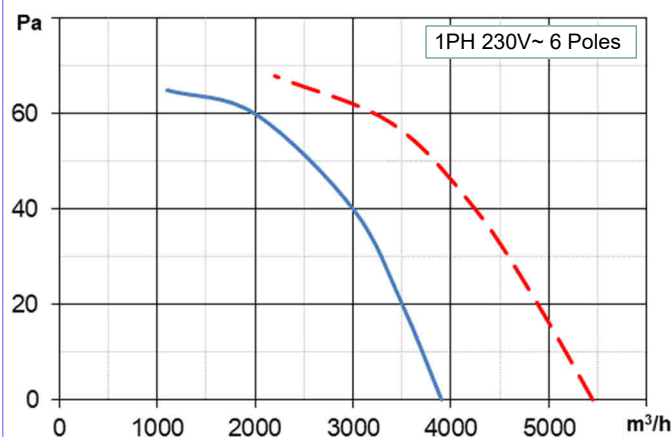
...4G645... ø450/27° — 50Hz — 60Hz



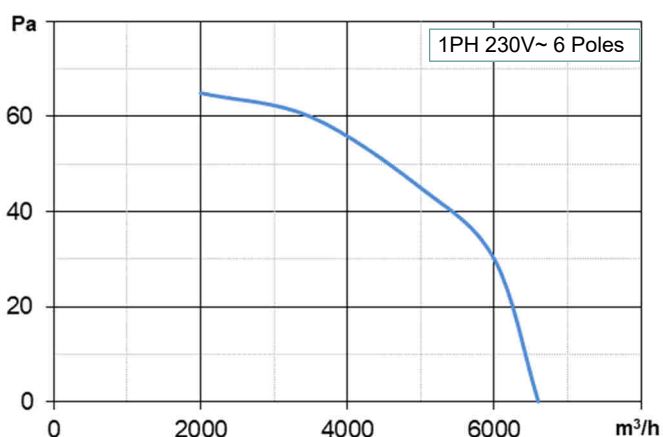
...4G650... ø500/27° — 50Hz



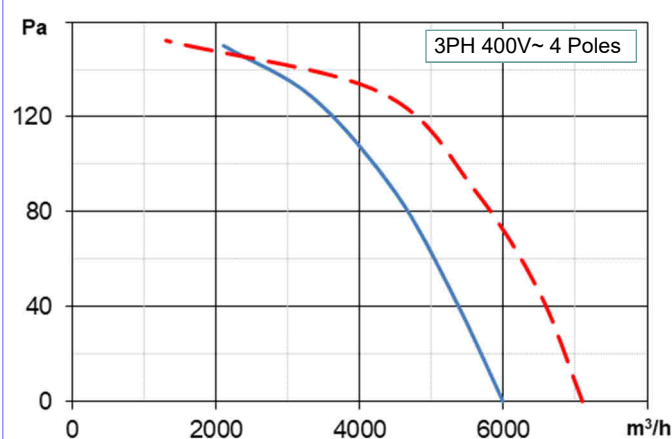
...6P545... ø450/27° — 50Hz — 60Hz



...6G650... ø500/33° — 50Hz



...4G645...J ø450/27° — 50Hz — 60Hz



...4G650...J ø500/27° — 50Hz

