

# Axial fans 4 pole

## with impeller $\varnothing 154 \div \varnothing 300\text{mm}$ & accessories



### Ventilatori Assiali

**MOTORE :**  
4 poli a poli schermati

**CARCASSA :**  
Coperchi in alluminio pressofuso;  
boccaglio, staffe e reti di metallo

**VENTOLA :**  
in alluminio

**CONNESSIONE**  
Cavo 3 x 0,5 x 500 mm

**VOLTAGGI :**  
230V - 50/60Hz.  
su richiesta :  
115V- 50/60Hz.

**PROTEZIONE :** IP42  
su richiesta : IP44

**ISOLAMENTO :** " B "

**TEMPERATURA DI UTILIZZO :**  
da -30° C a + 40° C

**FUNZIONALITA' :** ( S1 )  
Continua in tutte le posizioni

**MARCATURA : CE**  
in accordo a EN 60335.1  
Bassa Tensione 2014/35/UE  
Direttiva Macchine 2006/42/CE  
EMC 2014/30/UE  
RoHS3 2015/863

### Axial Fans

**MOTOR :**  
4 pole shaded pole

**HOUSING :**  
Die-casting aluminium body;  
metal support, ring, fanguard on Fe

**IMPELLER :**  
aluminium

**MAINS CONNECTION**  
Cable 3 x 0,5 x 500 mm

**VOLTAGE RANGE :**  
230V - 50/60Hz.  
on request  
115V- 50/60Hz.

**PROTECTION :** IP42  
on request : IP44

**INSULATION :** " B "

**OPERATING TEMPERATURE :**  
From -30° C to + 40° C

**OPERATION :** ( S1 )  
Continuous in all positions

**MARKED : CE**  
according to EN 60335.1  
2014/35/UE Low Voltage  
2006/42/CE Machine Directive  
EMC 2014/30/UE  
RoHS3 2015/863

### Ventilateurs Axiaux

**MOTEUR :**  
4 pôles " shaded pole "

**CARCASSE :**  
Pressofusion d' aluminium;  
support, virole et grille en métal

**HELICE :**  
aluminium

**CONNECTION**  
Cable 3 x 0,5 x 500 mm

**VOLTAGE :**  
230V - 50/60Hz.  
sur demande  
115V- 50/60Hz.

**PROTECTION :** IP42  
sur demande : IP44

**ISOLATION :** " B "

**TEMPERATURE D'EXERCICE**  
de -30° C à + 40° C

**TRAVAIL :** ( S1 )  
Continu en toute position

**MARQUAGE : CE**  
en accord avec EN 60335.1  
2014/35/UE Basse Tension  
2006/42/CE Machine Directive  
EMC 2014/30/UE  
RoHS3 2015/863

### Axialventilatoren

**MOTOR :**  
4 polige Spaltpolmotoren

**VENTILATORGEHAUSE :**  
Druckguß Wandring Aluminium;  
Fuß, Ring, Schutzgitter aus Eiser

**AXIALLÜFTERRAD :**  
Aluminium

**NETZANSCHLUß :**  
Kabel 3 x 0,5 x 500 mm lang

**SPANNUNG :**  
230V - 50/60Hz.  
auf Anfrage  
115V- 50/60Hz.

**SCHUTZART:** IP42  
auf Anfrage: IP44

**ISOLATIONSKLASSE:** " B "

**TEMPERATUR BEREICH :**  
Von -30°C bis + 40°C

**BETRIEBSART :** (S1)  
Fortdauernd in den allen Lagen

**ZULASSUNGEN : CE**  
Abkommen mit EN 60335.1  
2014/35UE  
2006/42/CE  
EMC 2014/30/UE  
RoHS3 2015/863

# Our Axial fans 4 pole

## *Shaded pole*



**5W - 34W motors & fans**  
with impeller Ø154 - Ø 300mm with ring or guard

# Axial fans 4 pole

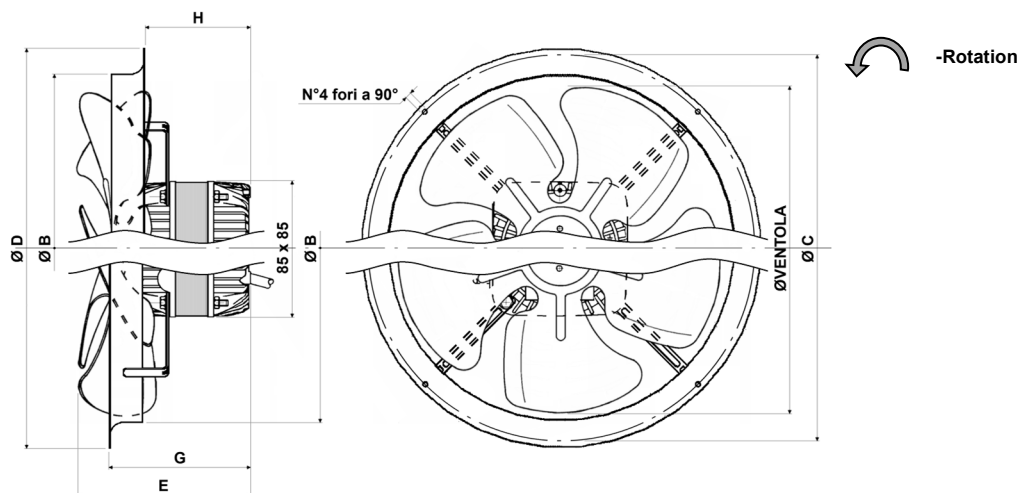
## with ring & impeller $\varnothing 154 \div \varnothing 300\text{mm}$

Serie C ...

Air direction

A.P. ←

A.A. →



### 4 Pole SHADED POLE - 230 V – 50/60Hz ( on demand 115V-50/60Hz. )

Operation mode	<b>S1</b>	Ambient temp.	<b>-30°C ÷ +40°C</b>	Marking <b>CE + Ex (*)</b>
Mounting position	<b>All</b>	Max. intake air	<b>+ 50°C</b>	Standard of ref.
Motor bearing	<b>Sleeve or ball (*) bear.</b>	Max. °C storage	<b>-40°C ÷ +80°C</b>	EN 60335-1/A15/2-24/2-89(*) Gas IIA
Motor protection	<b>Imp or TH</b>	Expect. life sleeve	<b>Over 40.000 h</b>	60034-1(REM) 60529(IP) 60079-15(*)
Locked rotor protec.	<b>Yes</b>	Housing	<b>Die-casting Alum.</b>	(*) II 3G Ex nA IIC T4 Gc
Insulation	<b>B</b>	Ring /fan guard /support	<b>Steel</b>	2006/42/CE(Mac) 2014/35/UE(Low V.)
IP protection	<b>42 (on demand 44 or 55)</b>	Impeller	<b>Aluminium</b>	2014/30/UE(EMC) 2015/863(RoHS3)

(\*) suitable on demand

Serie C..

CODE	Lable data				Dimensions						Impeller	
	A.	W <sub>in</sub>	RPM 50Hz/60Hz	Prot.	B	C	D	E	G (A.A.)	H (A.P.)	∅	incl. °
C05..	0,19	29	1300/1500	Imp.	164	190	200	94	86	60	154(*)	31
					182	208	222	93			172	31
					210	236	246	89			200(*)	19
C07..	0,19	32	1300/1400	Imp.	210	236	246	105	93	67	200(*)	31
					240	266	276	103	98	72	230(*)	19
C10..	0,25	38	1300/1400	I./T.	240	266	276	114	98	72	230(*)	27
					264	290	300	97	98	72	254	19
C18..	0,55	85	1300/1450	Term.	264	290	300	117	111	82	254	27
					310	344	356	108	121	77	300	19
C25..	0,78	110	1300/1400	Term.	310	344	356	129	121	87	300	23
C34..	0,76	120	1300/1400	Term.	310	344	356	149	126	92	300	27

(\*) also plastic ring "S..".

# Axial fans 4 pole

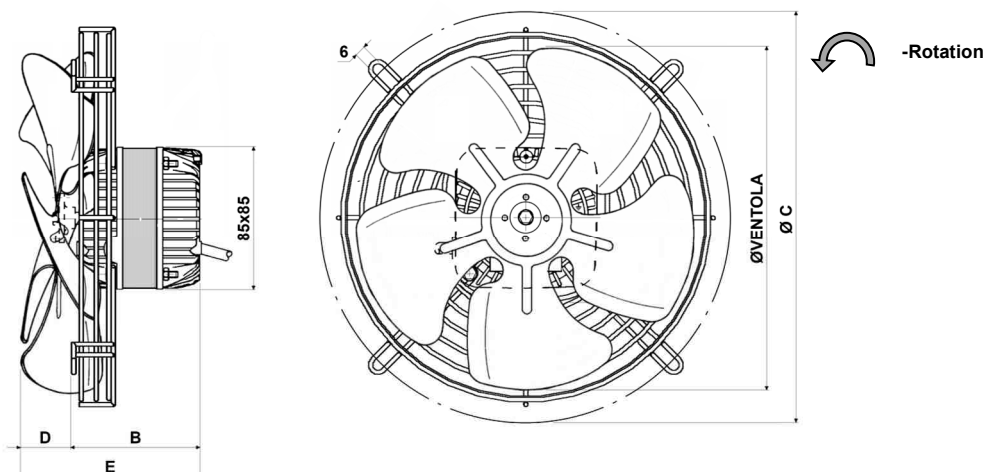
## *with fan guard & impeller $\varnothing 154 \div \varnothing 300\text{mm}$*

Serie R ...

Air direction

A.P. ←

A.A. →



### 4 Pole SHADED POLE - 230 V – 50/60Hz ( on demand 115V-50/60Hz. )

Operation mode	<b>S1</b>	Ambient temp.	<b>-30°C ÷ +40°C</b>	Marking <b>CE + Ex (*)</b>
Mounting position	<b>All</b>	Max. intake air	<b>+ 50°C</b>	Standard of ref.
Motor bearing	<b>Sleeve or ball (*) bear.</b>	Max. °C storage	<b>-40°C ÷ +80°C</b>	EN 60335-1/A15/2-24/2-89(*) Gas IIA
Motor protection	<b>Imp or TH</b>	Expect. life sleeve	<b>Over 40.000 h</b>	60034-1(REM) 60529(IP) 60079-15(*)
Locked rotor protec.	<b>Yes</b>	Housing	<b>Die-casting Alum. (*)</b>	II 3G Ex nA IIC T4 Gc
Insulation	<b>B</b>	Ring /fan guard /support	<b>Steel</b>	2006/42/CE(Mac) 2014/35/UE(Low V.)
IP protection	<b>42 (on demand 44 or 55)</b>	Impeller	<b>Aluminium</b>	2014/30/UE(EMC) 2015/863(RoHS3)

(\*) suitable on demand

Serie R..

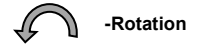
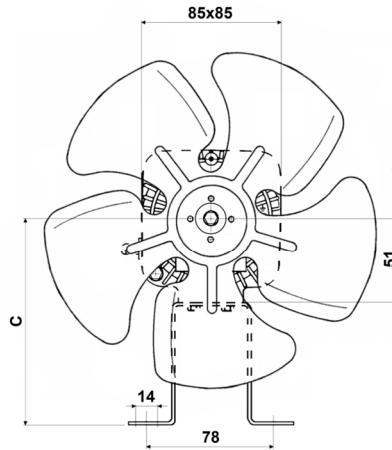
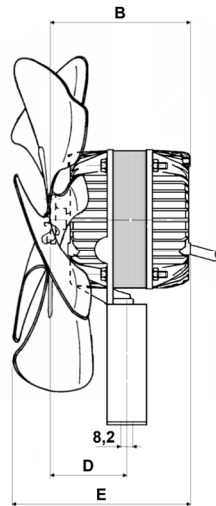
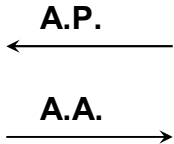
CODE	Lable data				Dimensions						Impeller	
	A.	W <sub>in</sub>	RPM 50Hz/60Hz	Prot.	B	C	D	E	G	H	ø	incl. °
R05..	0,19	29	1300/1500	Imp.	66	208	29	94			154	31
						208	28	93			172	31
						236	24	89			200	19
R07..	0,19	32	1300/1400	Imp.	72	236	33	105			200	31
						280	21	93			230	19
R10..	0,25	38	1300/1400	I./T.	72	280	42	114			230	27
						290	25	97			254	19
R18..	0,55	85	1300/1450	Term.	82	290	45	117			254	27
					106	370	2	108			300	19
R25..	0,78	110	1300/1400	Term.	116	370	14	130			300	23
R34..	0,76	120	1300/1400	Term.	121	370	28	150			300	27

# Axial fans 4 pole

## *with bracket & impeller $\varnothing 154 \div \varnothing 300\text{mm}$*

Serie E ...

**Air direction**



### 4 Pole SHADED POLE - 230 V – 50/60Hz ( on demand 115V-50/60Hz. )

Operation mode	<b>S1</b>	Ambient temp.	<b>-30°C ÷ +40°C</b>	Marking <b>CE + Ex (*)</b>
Mounting position	<b>All</b>	Max. intake air	<b>+ 50°C</b>	Standard of ref.
Motor bearing	<b>Sleeve or ball (*) bear.</b>	Max. °C storage	<b>-40°C ÷ +80°C</b>	EN 60335-1/A15/2-24/2-89(*) Gas IIA
Motor protection	<b>Imp or TH</b>	Expect. life sleeve	<b>Over 40.000 h</b>	60034-1(REM) 60529(IP) 60079-15(*)
Locked rotor protec.	<b>Yes</b>	Housing	<b>Die-casting Alum. (*)</b>	II 3G Ex nA IIC T4 Gc
Insulation	<b>B</b>	Ring /fan guard /support	<b>Steel</b>	2006/42/CE(Mac) 2014/35/UE(Low V.)
IP protection	<b>42 (on demand 44 or 55)</b>	Impeller	<b>Aluminium</b>	2014/30/UE(EMC) 2015/863(RoHS3)

(\*) suitable on demand

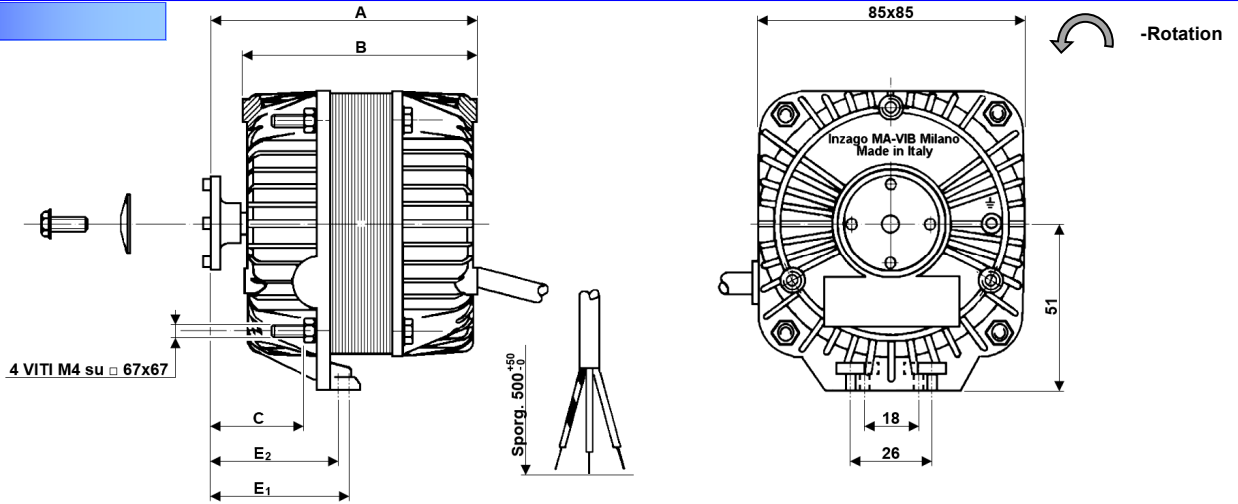
Serie E..

CODE	Lable data				Dimensions						Impeller	
	A.	W <sub>in</sub>	RPM 50Hz/60Hz	Prot.	B	C	D	E	G	H	∅	incl. °
E05..	0,19	29	1300/1500	Imp.	75	90	45	95			154	31
						103		96			172	31
						122		91			200	19
E07..	0,19	32	1300/1400	Imp.	81	122	45	105			200	31
						134		93			230	19
E10..	0,25	38	1300/1400	I./T.	91	134	55	113			230	27
					81		45				95	254
E18..	0,55	85	1300/1450	Therm.	101	160	55	127			254	27
					91		45				109	300
E25..	0,78	110	1300/1400	Therm.	113	160	62	138			300	23
E34..	0,76	120	1300/1400	Therm.	120	160	62	158			300	27

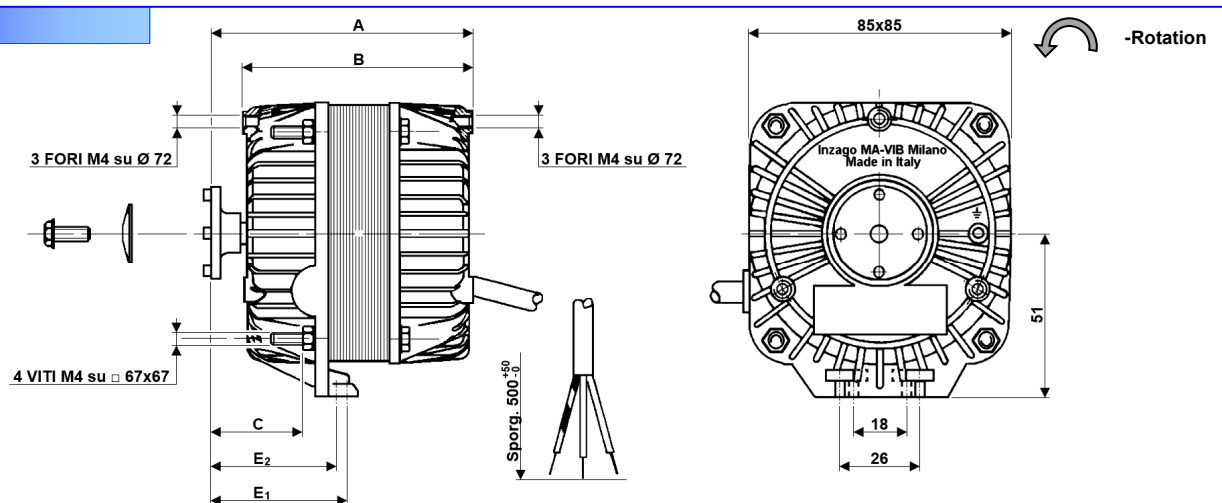
# Universal 4 pole motors

## *multi fixing*

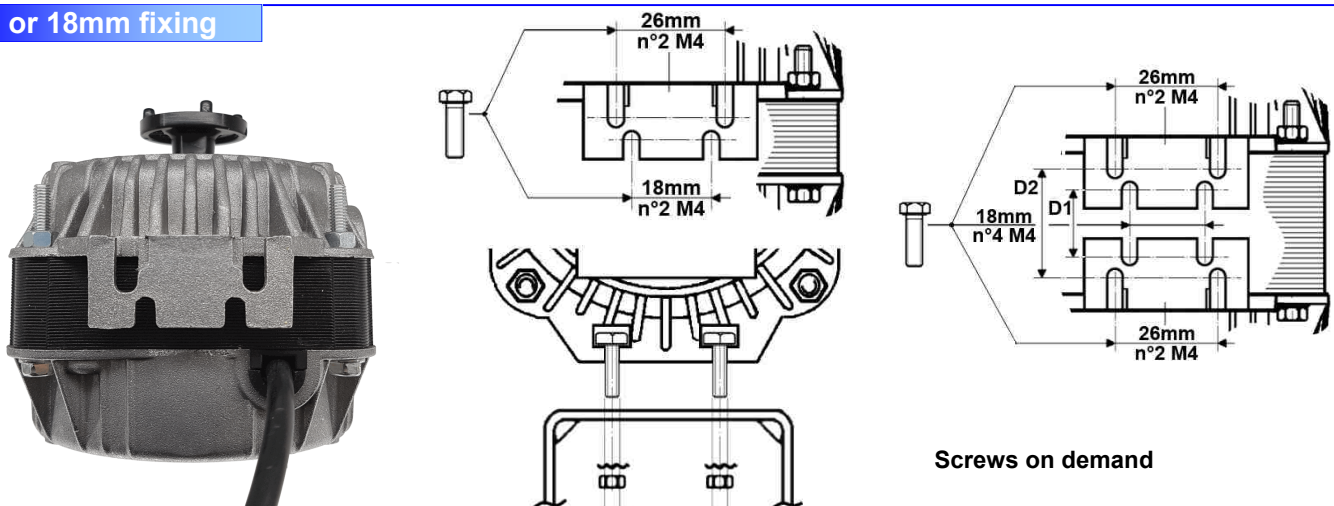
### Serie A2



### Serie A5



### 26 or 18mm fixing



# Universal 4 pole motors

## multi fixing

### 4 Pole SHADED POLE - 230 V – 50/60Hz ( on demand 115V-50/60Hz. )

Operation mode	<b>S1</b>	Ambient temp.	<b>-30°C ÷ +40°C</b>	Marking <b>CE + Ex (*)</b>
Mounting position	<b>All</b>	Max. intake air	<b>+ 50°C</b>	Standard of ref.
Motor bearing	<b>Sleeve or ball (*) bear.</b>	Max. °C storage	<b>-40°C ÷ +80°C</b>	EN 60335-1/A15/2-24/2-89(*) Gas IIA
Motor protection	<b>Imp or TH</b>	Expect. life sleeve	<b>Over 40.000 h</b>	60034-1(REM) 60529(IP) 60079-15(*)
Locked rotor protec.	<b>Yes</b>	Housing	<b>Die-casting Alum.</b>	(*) II 3G Ex nA IIC T4 Gc
Insulation	<b>B</b>	Ring /fan guard /support	<b>Steel</b>	2006/42/CE(Mac) 2014/35/UE(Low V.)
IP protection	<b>42 (on demand 44 or 55)</b>	Impeller	<b>Aluminium</b>	2014/30/UE(EMC) 2015/863(RoHS3)

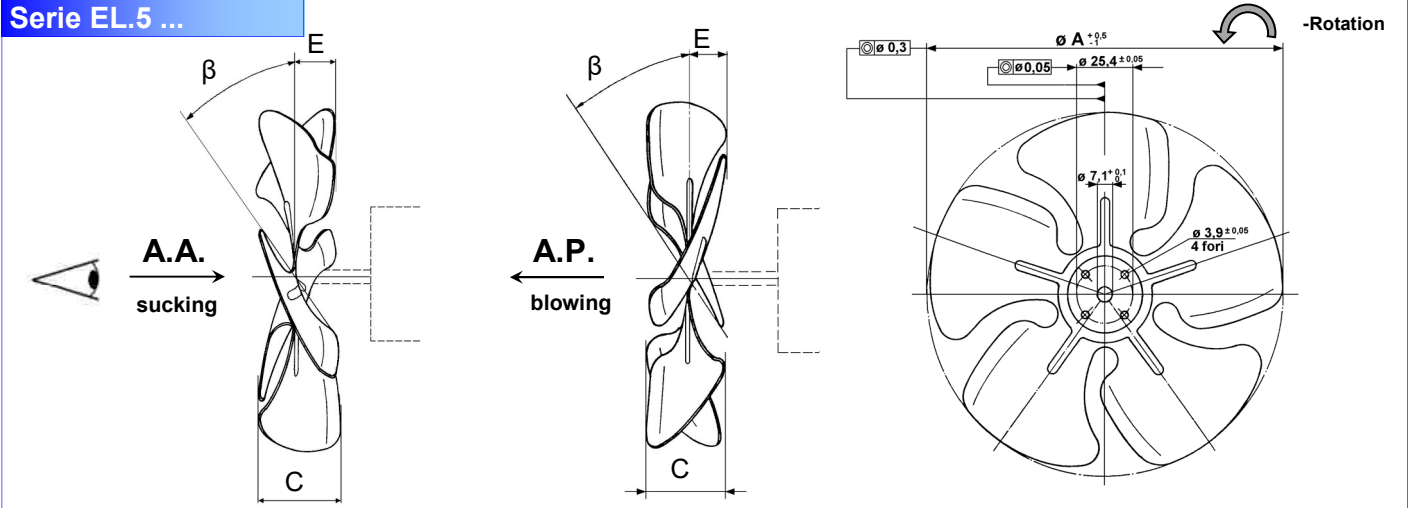
(\*) suitable on demand

CODE	Lable data					Dimensions						Impeller	Airflow	Impeller max		
	A.	W <sub>in</sub>	W <sub>out</sub>	RPM	Prot.	A	B	C	18mm		26mm		std ø / incl., °	max, m <sup>3</sup> /h	ø / incl., °	ø / incl., °
				50Hz/60 Hz					D <sub>1</sub>	E <sub>1</sub>	D <sub>2</sub>	E <sub>2</sub>			@50Hz	@60Hz
EFCR 05 Y 0 A5	0,19	29	5	1300/1500	Imp.	75	61	32		48	43	200 / 19	343	154 / 31	154 / 31	
EFCR 05 Y 0 A2														172 / 31	172 / 31	
EFCR 10 Y 0 A5	0,25	38	10	1300/1400	I/T.	81	68	32		48	43	254 / 19	675	200 / 31	200 / 31	
EFCR 10 Y 0 A2														230 / 27	230 / 27	
EFCR 12 Y 0 A5	0,37	53	12	1300/1500	Therm.	81	68	32		48	43	254 / 23	700	230 / 31	230 / 27	
EFCR 12 Y 0 A2														254 / 27	254 / 23	
EFCR 16 Y 0 A5	0,43	68	16	1300/1400	Therm.	91	73	37		53	47	254 / 27	950	230 / 31	230 / 31	
EFCR 16 Y 0 A2														254 / 27	254 / 16	
EFCR 18 Y 0 A5	0,55	85	18	1300/1450	Therm.	101	78	42		57	52	300 / 19	1320	254 / 31	254 / 31	
EFCR 18 Y 0 A2														300 / 23	300 / 19	
EFCR 25 Y 0 A5	0,78	110	25	1300/1400	Therm.	112	88	44	20	60	30,5	55	300 / 23	1420	300 / 27	300 / 23
EFCR 25 Y 0 A2															300 / 27	300 / 23
EFCR 34 Y 0 A5	0,76	120	34	1300/1400	Therm.	120	93	46	25	62	35,5	57	300 / 27	1625	300 / 27	300 / 27

# Aluminium impeller

## 5 blades

Serie EL.5 ...



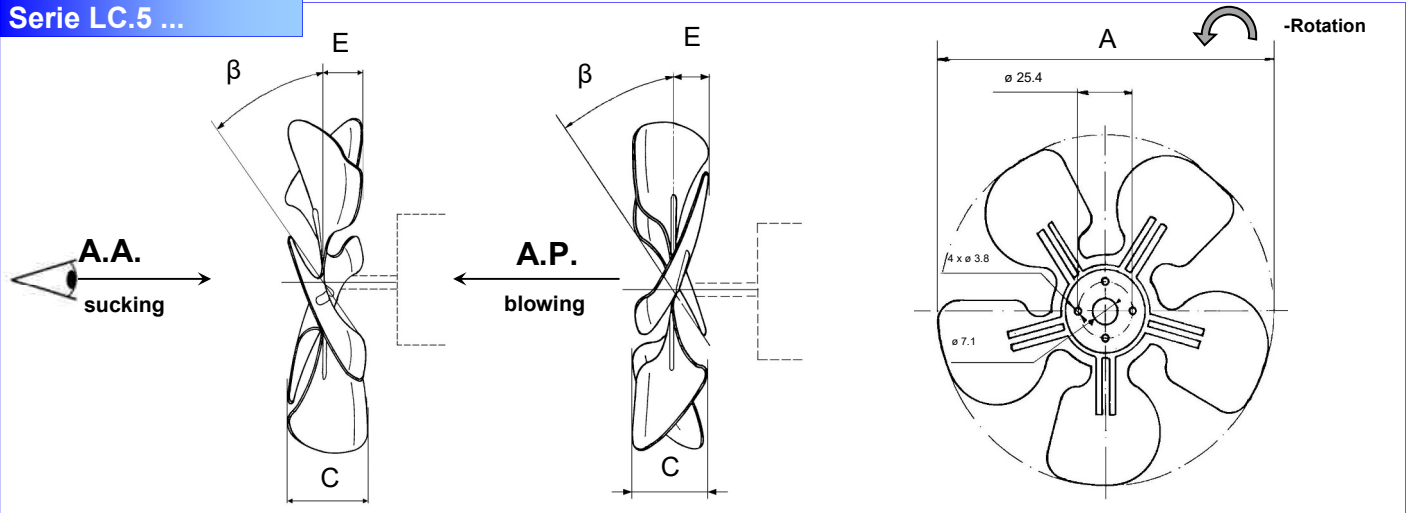
Serie EL.5 ...

CODE	Dimensions						Motors combination
	A	B	C ± 2mm		E ± 1.5mm		
	ø, mm	Incl, °	A.A.	A.P.	A.A.	A.P.	
EL . 5 . 154 . 19	154	19°	20	26	11	12	See each motor version
EL . 5 . 154 . 23	154	23°	25	30	12	12	
EL . 5 . 154 . 27	154	27°	29	35	12	16	
EL . 5 . 154 . 31	154	31°	32	41	12	20	
EL . 5 . 172 . 19	172	19°	27	26	12	15	
EL . 5 . 172 . 23	172	23°	31	31	14	17	
EL . 5 . 172 . 27	172	27°	36	36	16	16	
EL . 5 . 172 . 31	172	31°	38	41	18	20	
EL . 5 . 200 . 19	200	19°	31	32	15	16	
EL . 5 . 200 . 23	200	23°	35	36	17	17	
EL . 5 . 200 . 27	200	27°	42	43	19	18	
EL . 5 . 200 . 31	200	31°	45	49	22	24	
EL . 5 . 200 . 34	200	34°	-	51	-	26	
EL . 5 . 230 . 19	230	19°	31	37	20	14	
EL . 5 . 230 . 23	230	23°	41	40	21	24	
EL . 5 . 230 . 27	230	27°	47	47	25	26	
EL . 5 . 230 . 31	230	31°	54	52	30	24	
EL . 5 . 254 . 19	254	19°	34	39	20	17	
EL . 5 . 254 . 23	254	23°	45	45	21	24	
EL . 5 . 254 . 27	254	27°	53	52	27	27	
EL . 5 . 254 . 31	254	31°	61	58	34	27	
EL . 5 . 254 . 37	254	37°	-	70	-	28	
EL . 5 . 300 . 19	300	19°	43	42	25	19	
EL . 5 . 300 . 23	300	23°	50	54	22	24	
EL . 5 . 300 . 27	300	27°	61	59	23	26	
EL . 5 . 300 . 31	300	31°	-	67	-	33	
EL . 5 . 315 . 19	315	19°	51	-	25	-	
EL . 5 . 315 . 23	315	23°	61	-	29	-	
EL . 5 . 315 . 27	315	27°	71	-	32	-	
EL . 5 . 315 . 31	315	31°	-	-	-	-	
EL . 5 . 350 . 19	350	19°	44	-	23	-	
EL . 5 . 350 . 23	350	23°	52	-	24	-	
EL . 5 . 350 . 27	350	27°	66	-	30	-	
EL . 5 . 350 . 31	350	31°	71	-	33	-	

# Aluminium impeller

## 5 blades

Serie LC.5 ...



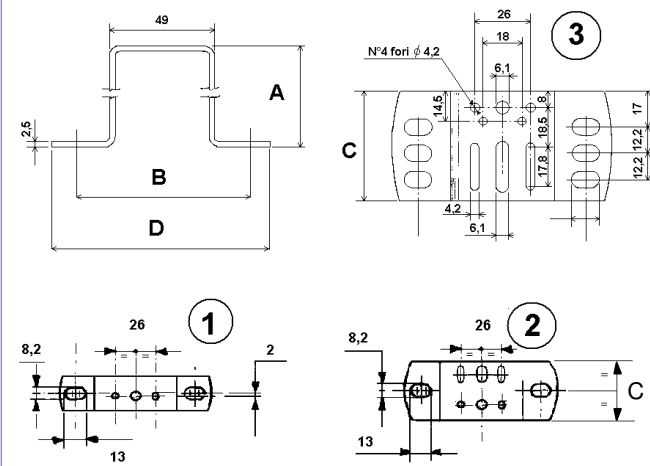
Serie LC.5 ...

CODE	Dimensions						Motors combination
	A	$\beta$	C $\pm$ 2mm		E $\pm$ 1.5mm		
	$\emptyset$ , mm	Incl, °	A.A.	A.P.	A.A.	A.P.	
LC . 5 . 172 . 22	172	22°					See each motor vesion
LC . 5 . 172 . 28	172	28°	36		17		
LC . 5 . 172 . 34	172	34°	42		26		
LC . 5 . 200 . 22	200	22°					
LC . 5 . 200 . 28	200	28°	37		18		
LC . 5 . 200 . 34	200	34°	46		28		
LC . 5 . 254 . 22	254	22°					
LC . 5 . 254 . 28	254	28°	39		19		
LC . 5 . 254 . 34	254	34°	50		21		

# Accessories

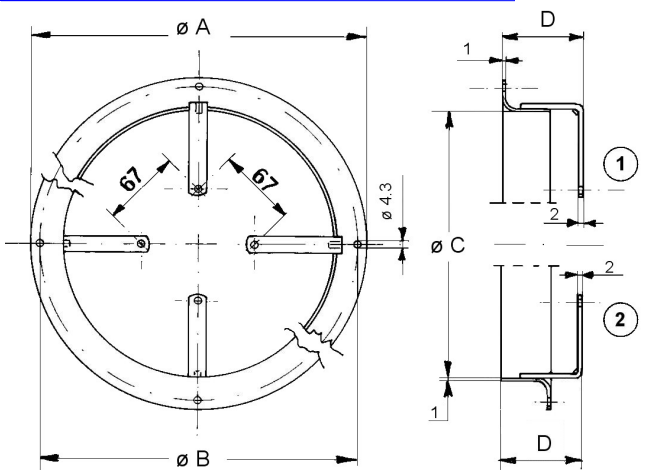
## universal 4 pole motors

### Staffe - Bracket - Support - Fuß



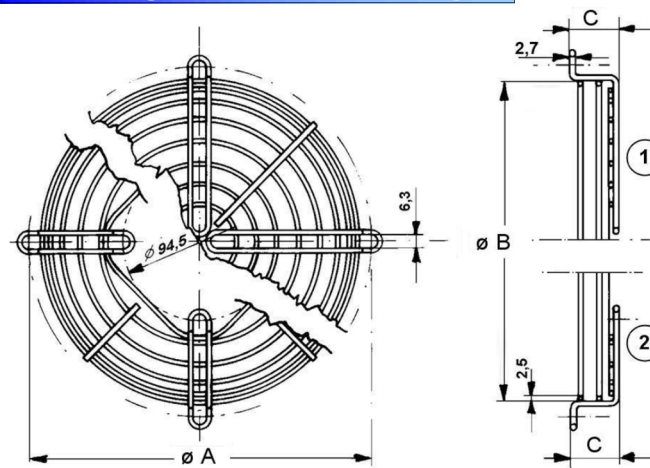
CODE	Dimensions				Pacco mm	Fig.
	A	B	C	D		
087.0119.0000	39	78	25	101	13/20	1
087.0102.0000	52	78	25	101	13/20	
087.0100.0000	71	78	25	101	13/20	
087.0101.0000	83	78	25	101	20/25	2
087.0116.0000	83	78	42	101	30	3
087.0120.0000	83	78	52	101	30/40/45	
087.0125.0000	108,5	78	52	101		3
087.0123.0000	55	130	25	153	13/20	1
087.0212.0000	72	133	25	156	13/20	
087.0211.0000	72	159	25	182	13/20	
087.0213.0000	110,5	154	52	177	30/40/45	3

### Bocchigli - Ring - Virole - Ring



CODE	Dimensions				Impeller ø, mm	Fig.
	A	B	C	D		
079.0301.0000	200	190	162	46	154	1
079.0303.0000	222	208	180	46,5	172	
079.0305.0000	246	236	208	47	200	
079.0309.0000	276	266	238	51	230	
079.0308.0000	300	290	262	51	254	
079.0310.0000	356	344	308	51	300	2
079.0201.0000	200	190	162	46	154	
079.0203.0000	222	208	180	46,5	172	
079.0205.0000	246	236	208	46,5	200	
079.0212.0000	276	266	238	51	230	
079.0209.0000	300	290	262	51	254	
079.0210.0000	356	344	308	51	300	

### Reti - Fanguard - Grille - Schutzgitter

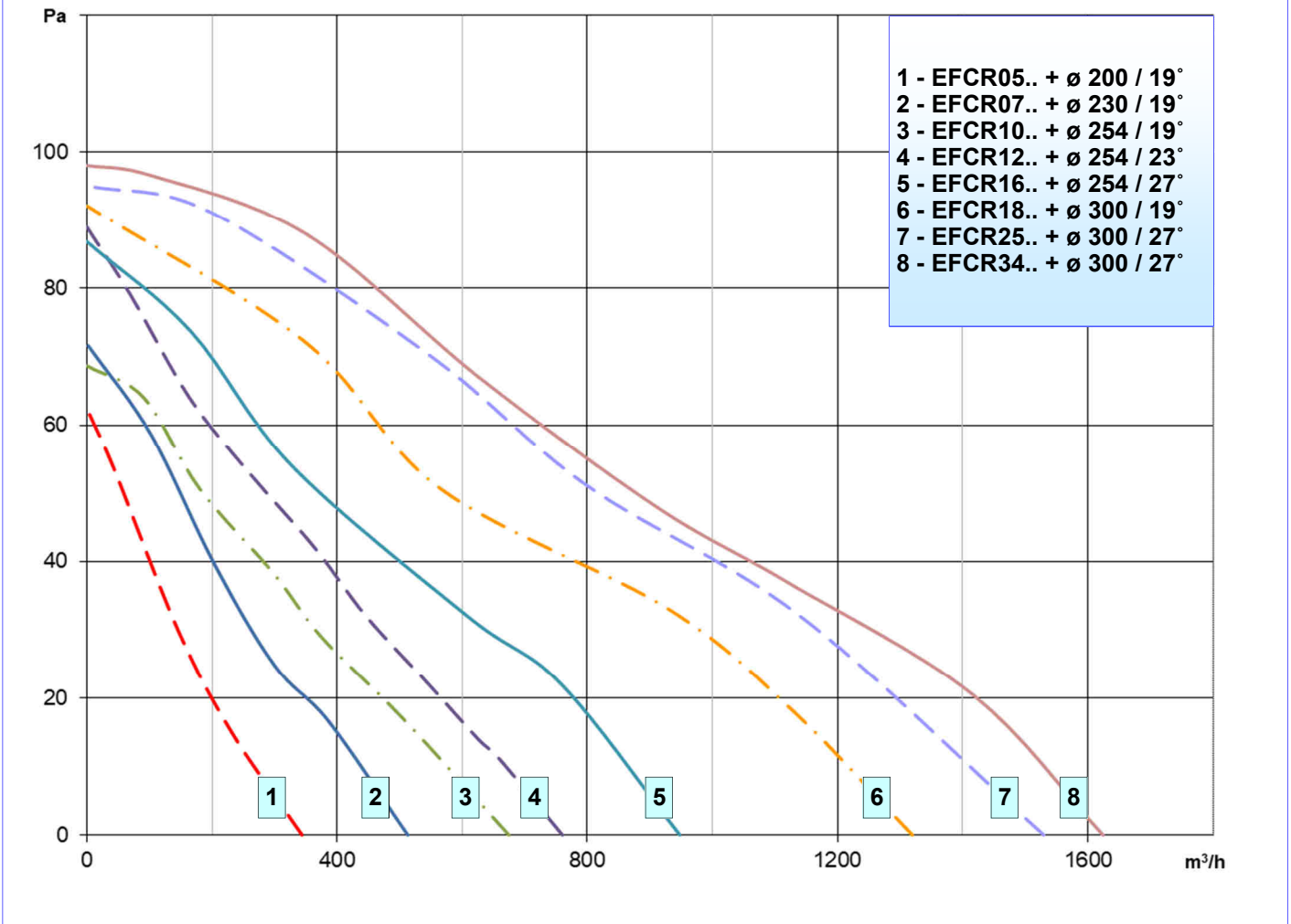


CODE	Dimensions			Impeller ø, mm	Fig.
	A	B	C		
036.0304.0000	208	188	26	172	1
036.0312.0000	236	226	26	200	
036.0300.0000	270	246	26	230	
036.0301.0000	290	267	36	254	
036.0412.0005	365	340	50	300	
036.0305.0000	208	188	26	172	2
036.0203.0000	236	223	26	200	
036.0200.0000	280	246	26	230	
036.0201.0000	289	266	26	254	
036.0201.0037	289	266	37	254	
036.0412.0000	365	340	47	300	
036.0354.0000	420	380	53	350	

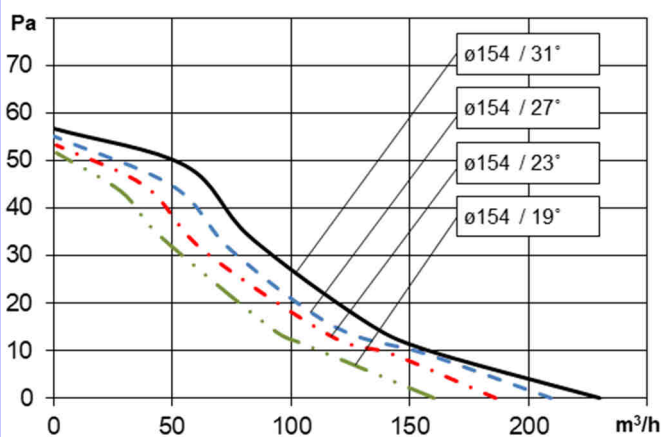
# Performances curves

## axial fans 4 pole $\varnothing 154\text{mm} \div \varnothing 300\text{mm}$

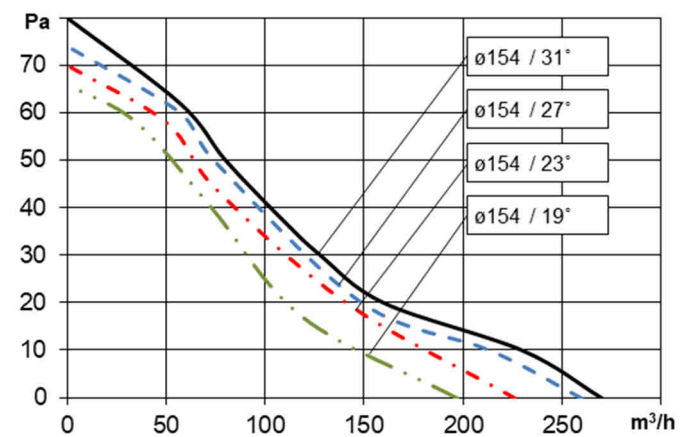
Fast selection : motor + impeller standard



EFCR05...,  $\varnothing 154$ , 50Hz



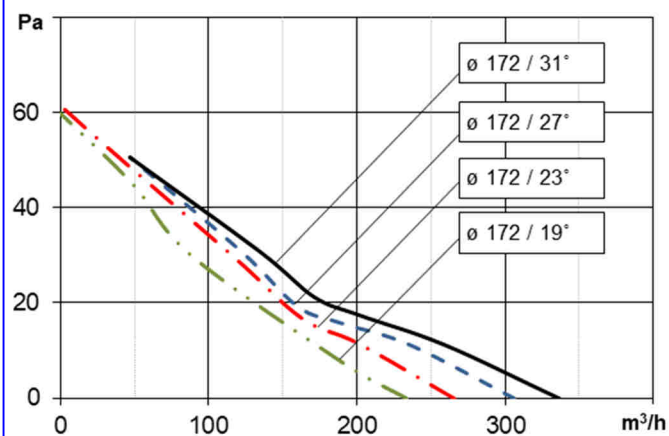
EFCR05...,  $\varnothing 154$ , 60Hz



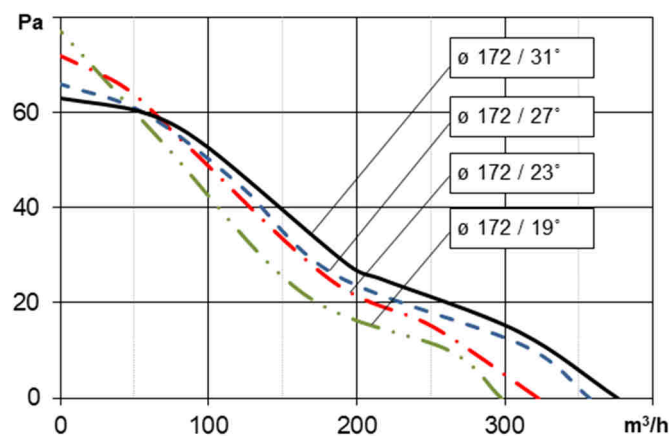
# Performances curves

## axial fans 4 pole

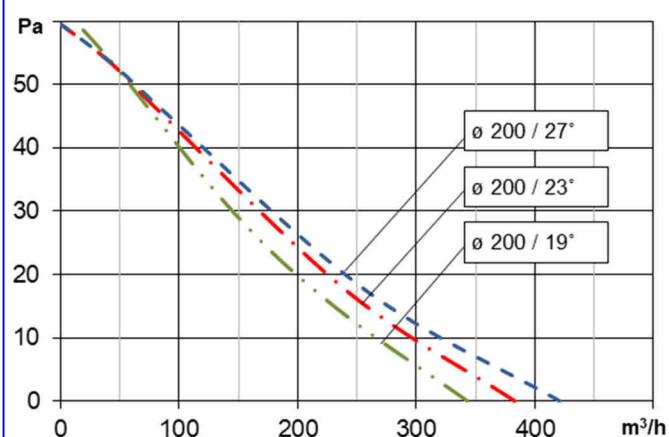
EFCR05..., ø172, 50Hz



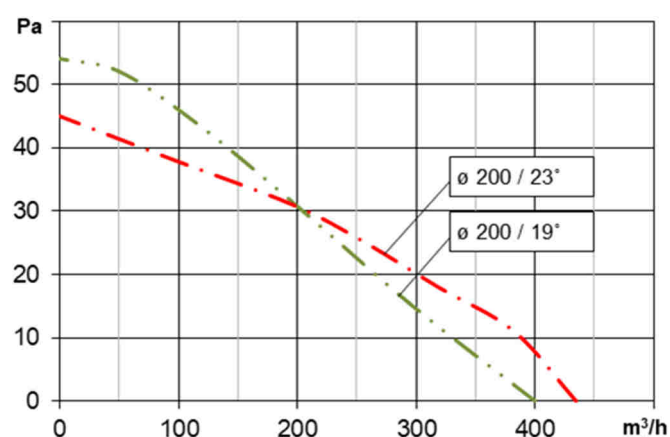
EFCR05..., ø172, 60Hz



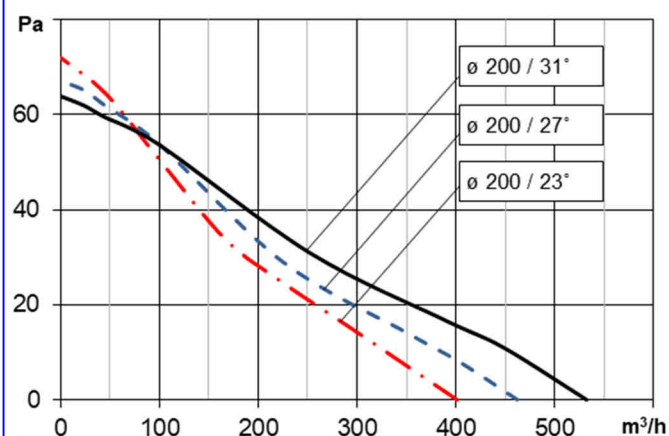
EFCR05..., ø200, 50Hz



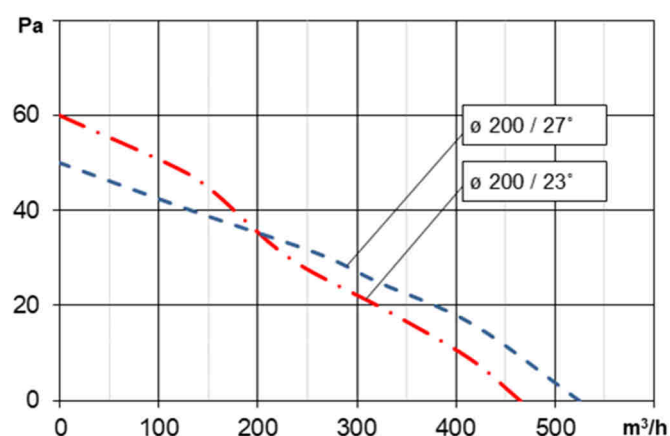
EFCR05..., ø200, 60Hz



EFCR07..., ø200, 50Hz



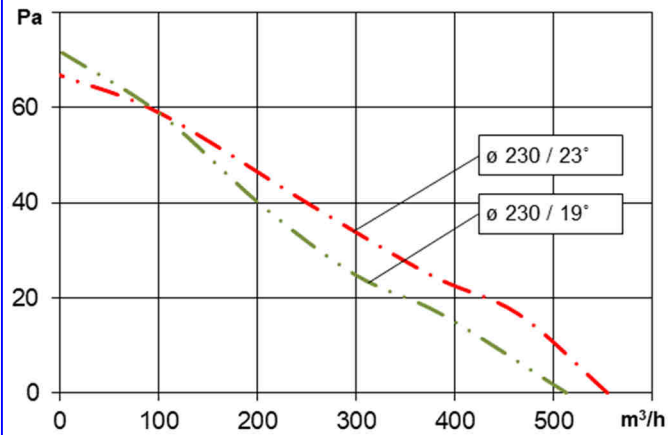
EFCR07..., ø200, 60Hz



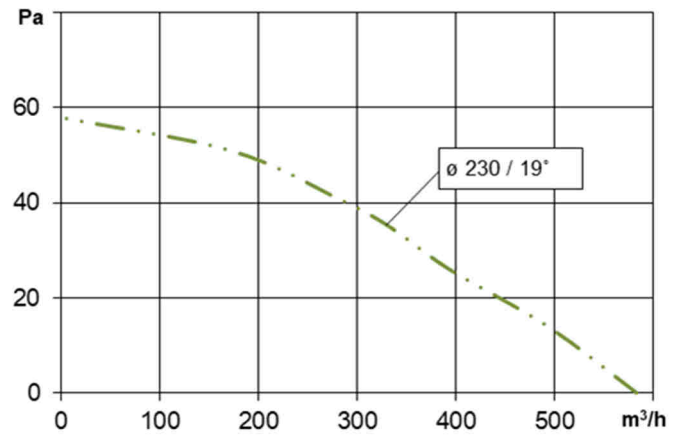
# Performances curves

## axial fans 4 pole

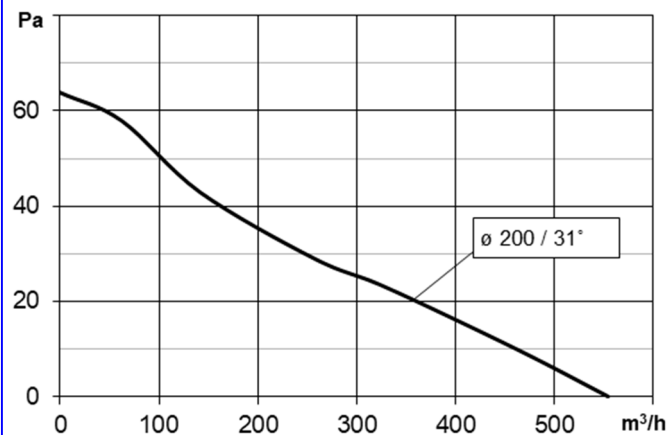
EFCR07..., ø230, 50Hz



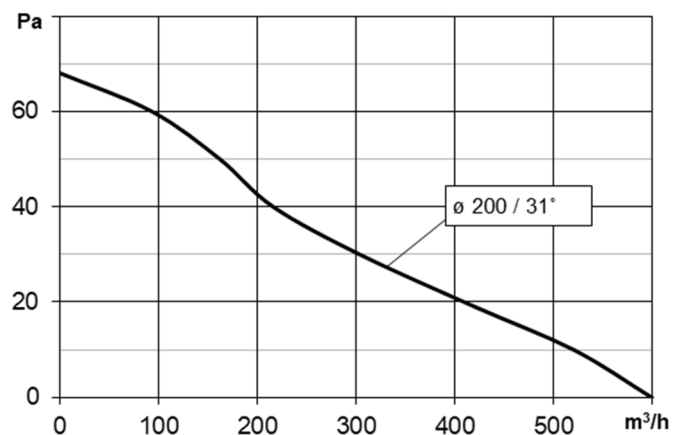
EFCR07..., ø230, 60Hz



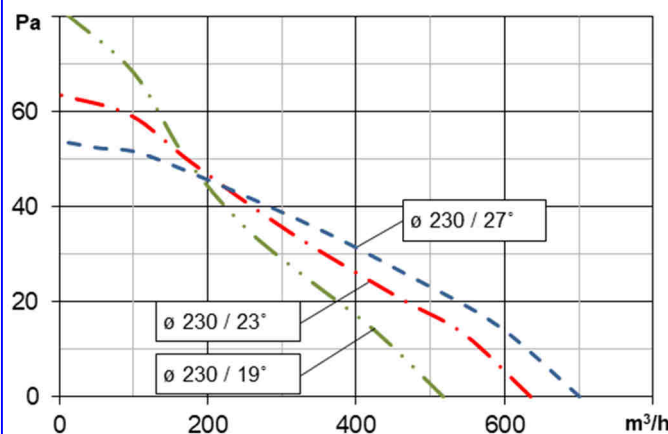
EFCR10..., ø200, 50Hz



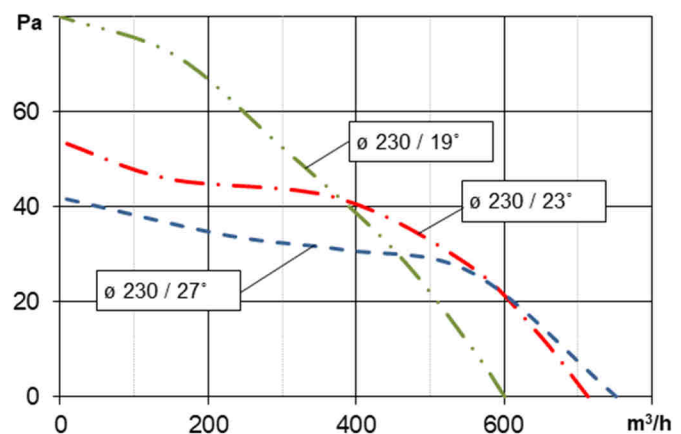
EFCR10..., ø200, 60Hz



EFCR10..., ø230, 50Hz



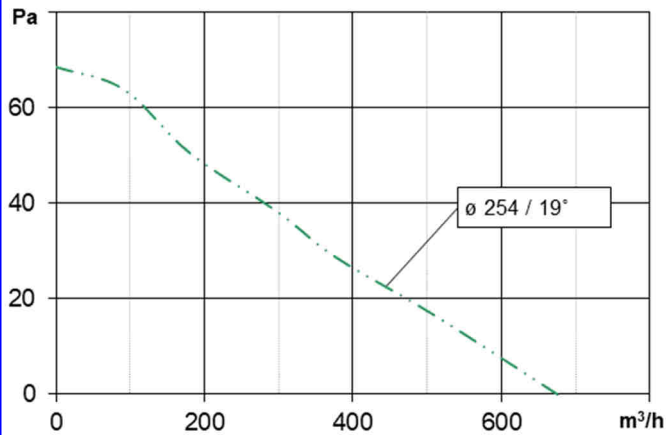
EFCR10..., ø230, 60Hz



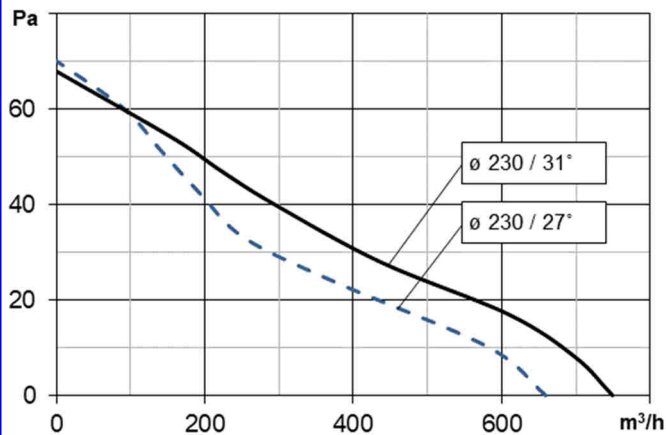
# Performances curves

## axial fans 4 pole

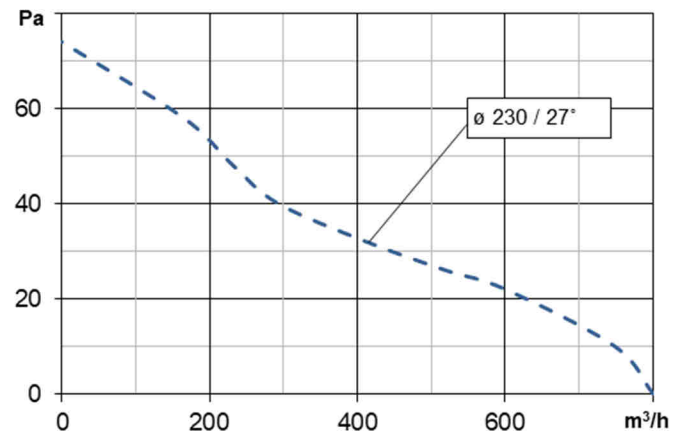
EFCR10..., ø254, 50Hz



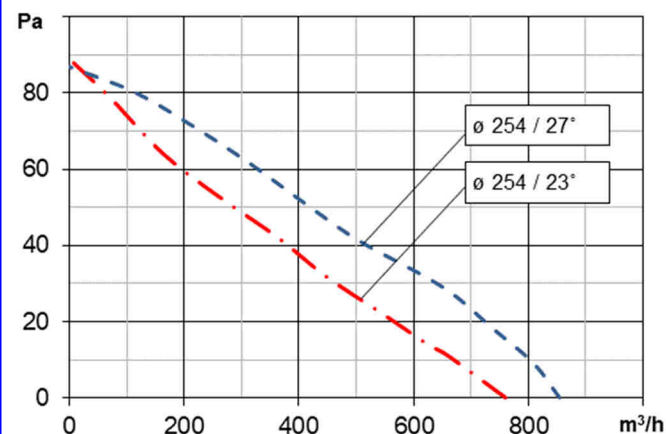
EFCR12..., ø230, 50Hz



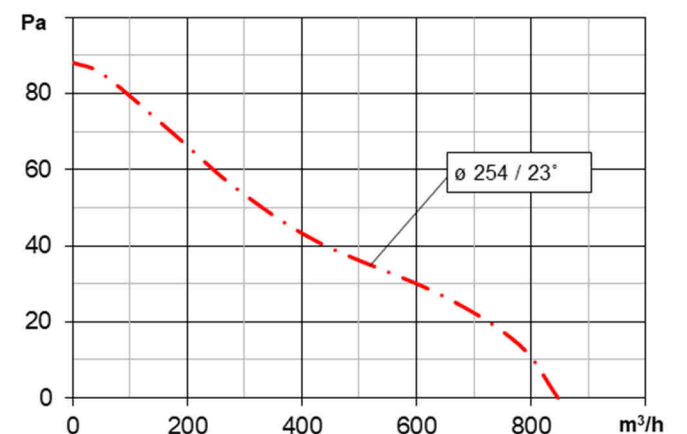
EFCR12..., ø230, 60Hz



EFCR12..., ø254, 50Hz



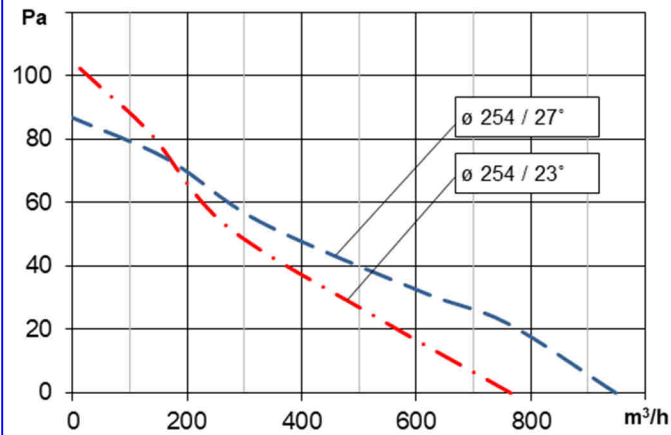
EFCR12..., ø254, 60Hz



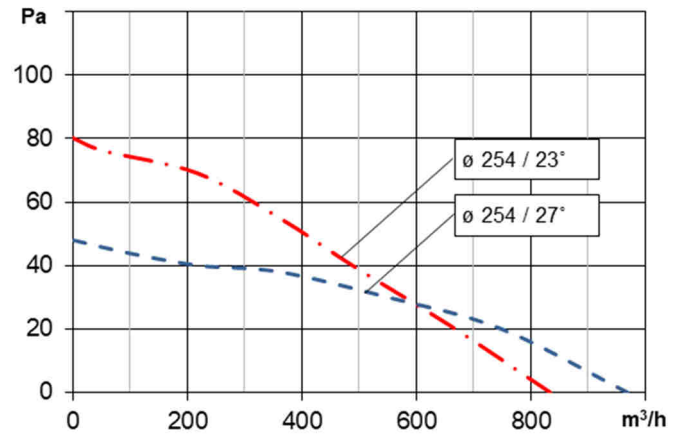
# Performances curves

## axial fans 4 pole

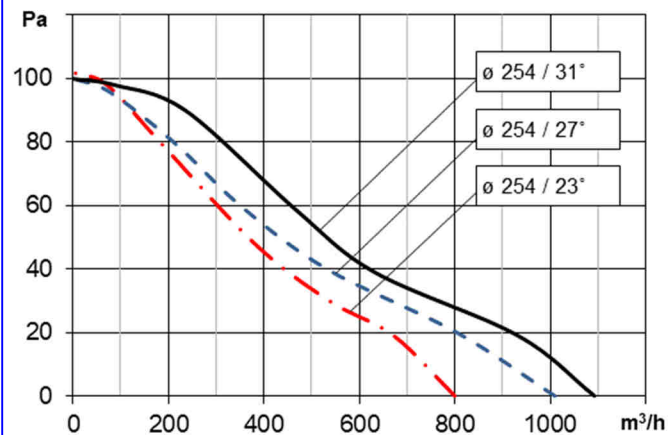
EFCR16..., ø254, 50Hz



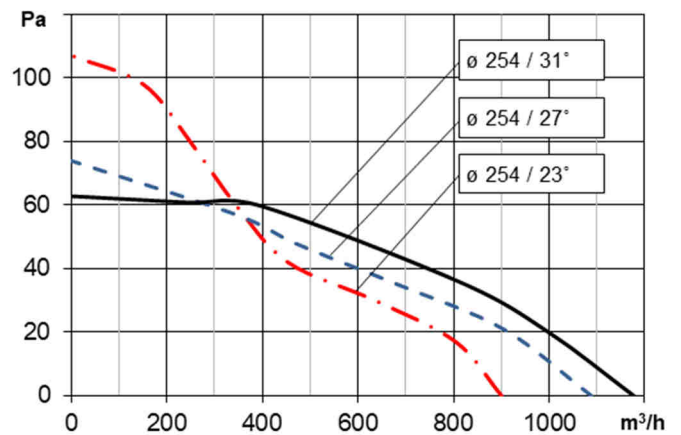
EFCR16..., ø254, 60Hz



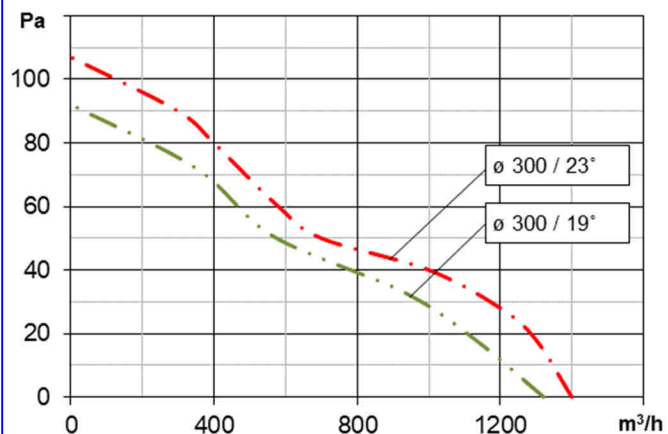
EFCR18..., ø254, 50Hz



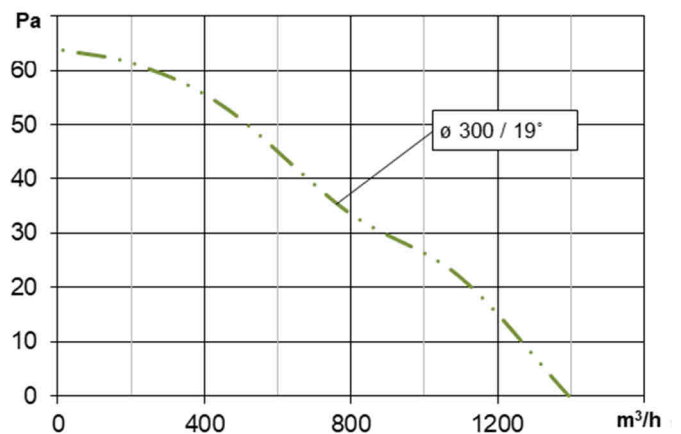
EFCR18..., ø254, 60Hz



EFCR18..., ø300, 50Hz



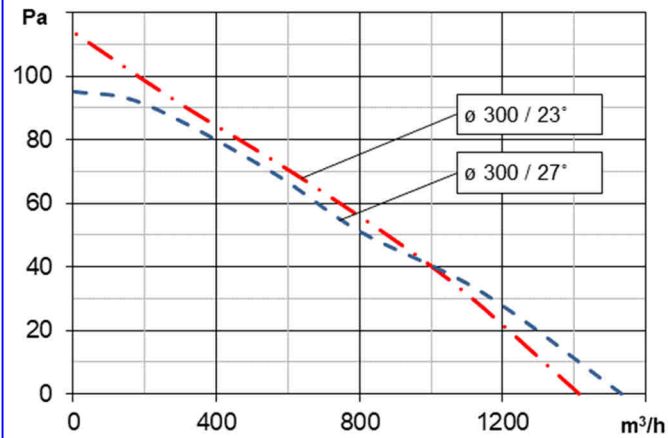
EFCR18..., ø300, 60Hz



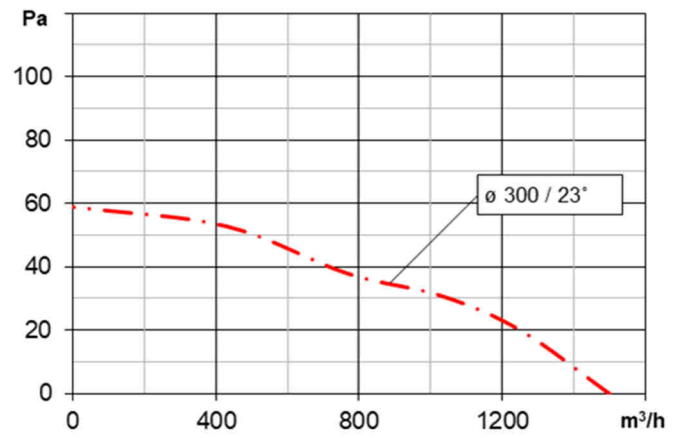
# Performances curves

## axial fans 4 pole

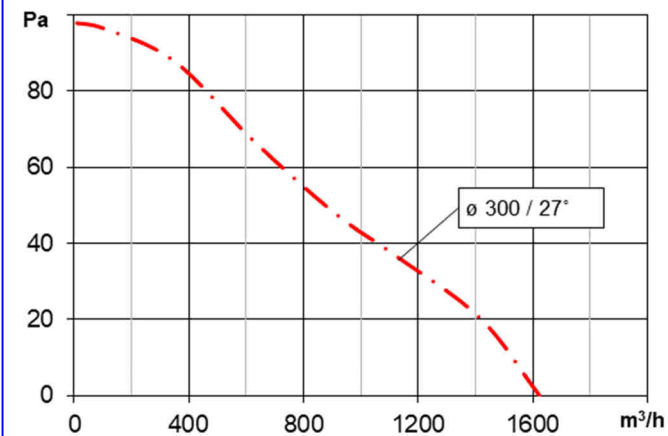
**EFCR25..., ø300, 50Hz**



**EFCR25..., ø300, 60Hz**



**EFCR34..., ø300, 50Hz**



**EFCR34..., ø300, 60Hz**

