

2 pole axial fans

Ø 96mm ÷ Ø172mm



Ventilatori Assiali

MOTORE :

2 poli a poli schermati

CARCASSA :

Coperchi in plastica;
boccaglio, staffe e reti di metallo

VENTOLA :

in alluminio o plastica

CONNESSIONE

n° 2 Faston 6,3 x 0,8 mm

VOLTAGGI :

230V - 50/60Hz.
su richiesta :
115V - 50/60Hz.

PROTEZIONE : IP40

ISOLAMENTO : " B "

TEMPERATURA DI UTILIZZO :

da -20° C a + 40° C

FUNZIONALITA' : (S1)

Continua in tutte le posizioni

MARCATURA : CE

In accordo a EN 60335.1
Bassa Tensione 2014/35/UE
Direttiva Macchine 2006/42/CE
EMC 2014/30/UE
RoHS3 2015/863

Axial Fans

MOTOR :

2 pole shaded pole

HOUSING :

Thermoplastic resin body
metal support, ring, fanguard

IMPELLER :

aluminium or plastic

MAINS CONNECTION

n° 2 terminals 6,3 x 0,8 mm

VOLTAGE RANGE :

230V - 50/60Hz.
on request
115V - 50/60Hz.

PROTECTION : IP40

INSULATION : " B "

OPERATING TEMPERATURE :

From -20° C to + 40° C

OPERATION : (S1)

Continuous in all positions

MARKED: CE

according to EN 60335.1
2014/35/UE Low Voltage
2006/42/CE Machine Directive
EMC 2014/30/UE
RoHS3 2015/863

Ventilateurs Axiaux

MOTEUR :

2 poles " shaded pole "

CARCASSE :

Thermoplastique
support, virole et grille en métal

HELICE :

aluminium ou plastique

CONNECTION :

n° 2 cosses 6,3 x 0,8 mm

VOLTAGE :

230V - 50/60Hz.
sur demande
115V - 50/60Hz.

PROTECTION : IP40

ISOLATION : " B "

TEMPERATURE D'EXERCICE

de -20° C à + 40° C

TRAVAIL : (S1)

Continu en toute position

MARQUAGE : CE

en accord avec EN 60335.1
2014/35/UE Basse Tension
2006/42/CE Machine Directive
EMC 2014/30/UE
RoHS3 2015/863

Axialventilatoren

MOTOR :

2 polige Spaltpolmotoren

VENTILATORGEHAUSE :

Harzthermoplast
Fuß, Ring, Schutzgitter aus Eisen

AXIALLÜFTERRAD :

Aluminium oder Plastik

NETZANSCHLUß :

Flachstecker 6,3 x 0,8 mm

SPANNUNG :

230V - 50/60Hz.
auf Anfrage
115V - 50/60Hz.

SCHUTZART: IP40

ISOLATIONSKLASSE: " B "

TEMPERATUR BEREICH :

Von - 20°C bis + 40°C

BETRIEBSART : (S1)

Fortdauernd in den allen Lagen

ZULASSUNGEN : CE

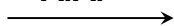
Abkommen mit EN 60335.1
2014/35UE
2006/42/CE
EMC 2014/30/UE
RoHS3 2015/863

2 pole fans & motor with $\varnothing 96\text{mm}$ impeller & ring

Serie EVC 15 A / P

Air direction

A.A.



A.P.

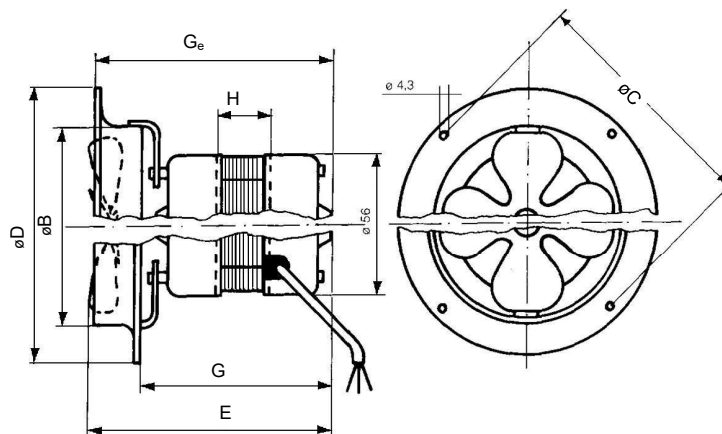
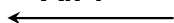
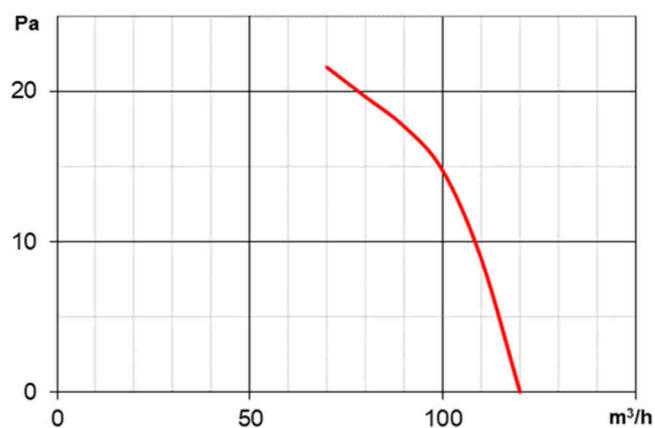


Fig.1

Serie EVC 15 ... : 230V - 50Hz/60Hz - marcati C E classe B , in accordo a EN.60335.1

CODE	Label data				Dimensions						Impeller		Airflow	Pressure	Fig.
	A	W_{in}	W_{out}	RPM	B	C	D	E	G	H	\varnothing	incl, °	max, m ³ /h	max, Pa	
EVC 15 A	0,12	18		2550	108	134	144	103	100	20	96	34°	120	22	1
EVC 15 P									77						

Performance curves



2 pole fans

with $\varnothing 96 \div 172\text{mm}$ impeller & bracket

Serie B01 - 02 - 03

Air direction

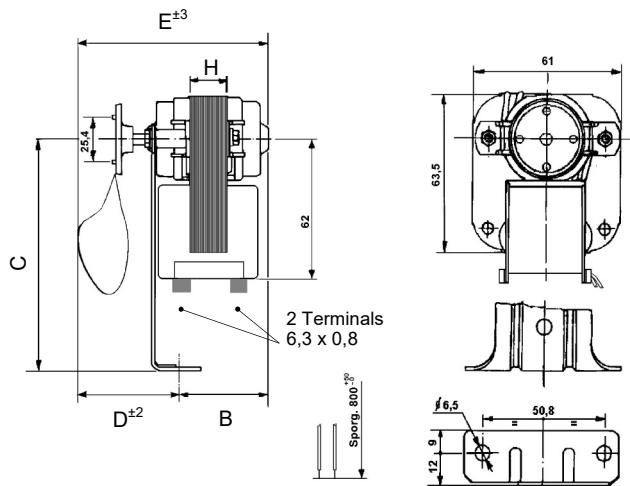
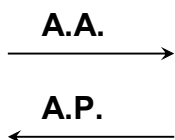


Fig.1

Air direction

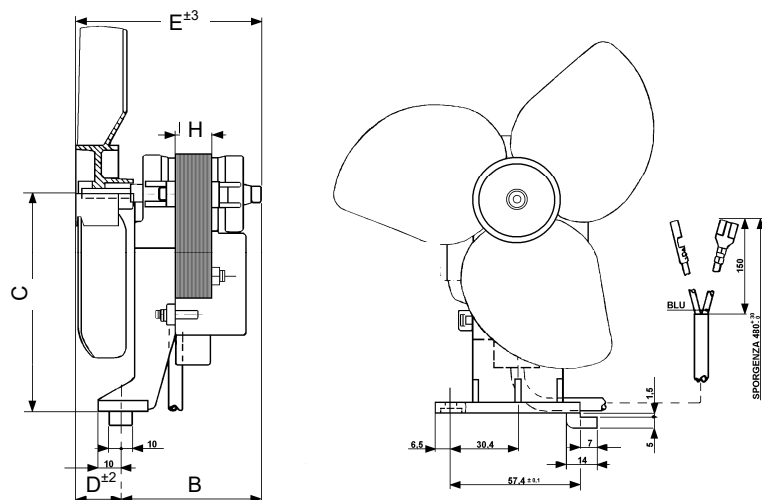
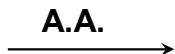


Fig.2

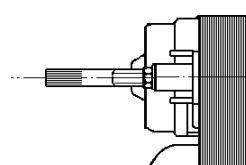
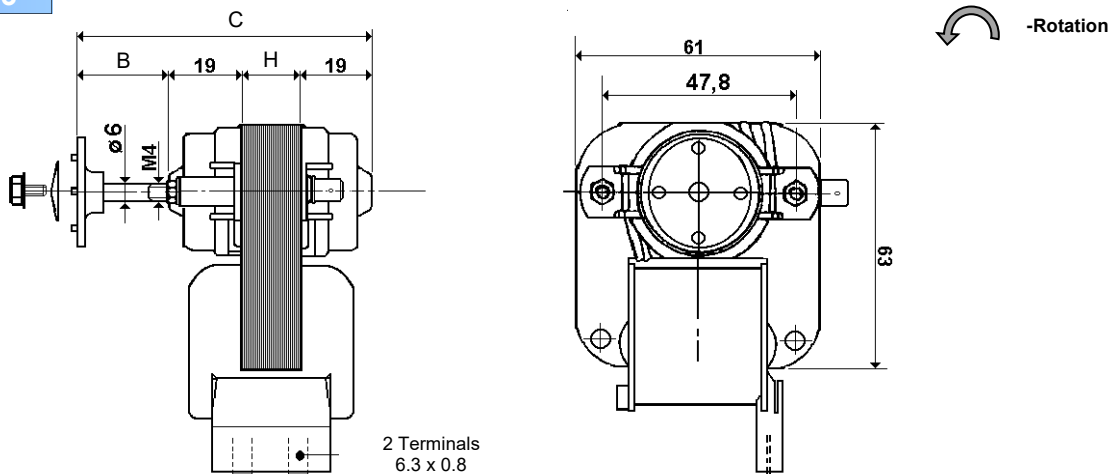
Serie B01 - 02 - 03 ... : 230V- 50Hz - marcati C C classe B, in accordo a EN.60335.1

CODE	Label data			Dimensions					Impeller		Airflow	Pressure	Fig.
	A	W_{in}	RPM	B	C	D	E	H	\varnothing	incl, °	m3/h	max, Pa	
B 01 Y..	0,14	16	2600	36	95,5	50	86	15	96	34°	120	46	1
	0,22	22	2000			55	91		130	23°	160	52	
	0,24	24	1500			50	86		154	19°	240	52	
B 01 L016DA95..	0.05	7	1400	67	95,5	27	94	20	160	18°	115	10	2
B 01 X016DA95..	0.08	11	1800								145	12	
B 02 Y..	0,17	24	2600	41	95,5	48	89	20	130	27°	280	42	1
	0,18	25	2400						154	23°	300	52	
	0,22	30	1800						172	19°	340	62	
B 03 Y..	0,30	40	2400	51	95,5	45	95,5	30	130	31°	400	63	1
	0,32	43	2500			50	101		154	27°	425	80	
	0,35	48	2000			50	101		172	23°	475	100	

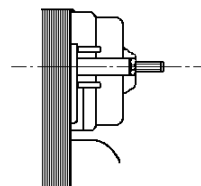
2 pole motors

serie M60

Serie B01 - 02 - 03



Standard Shaft Fixing



On request Back Fixing

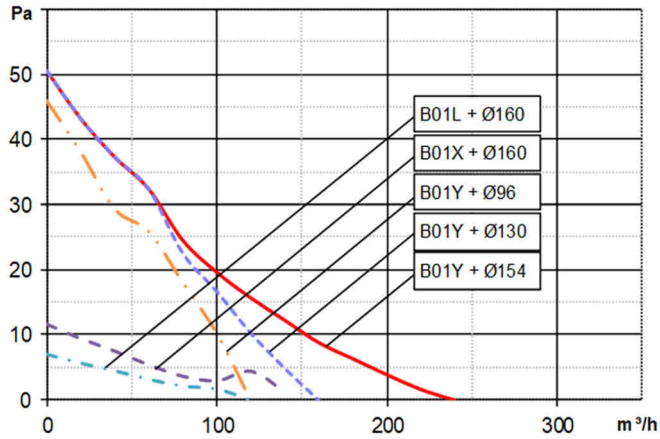
Serie B01 - 02 - 03 ...: 230V - 50Hz/60Hz - marcati C E classe B, in accordo a EN.60335.1

CODE	Lable data					Dimensions		
	A	W_{in}	W_{out}	RPM	Prot.	B	C	H
B01Y0 ...	0,18	20	2	2400	Imp.	27	80	15
B02Y0 ...	0,23	27	5	2400	Imp.	22	80	20
B03Y0 ...	0,39	47	13	2400	Term.	22	90	30
B04Y0 ...	0,75	85	27	2500	Term.	22	90	20

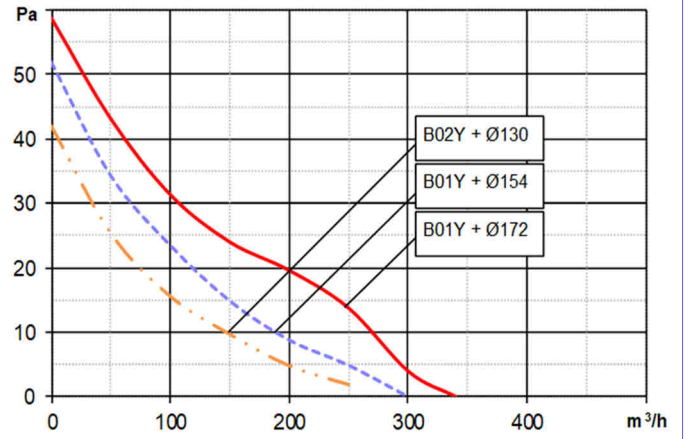
Performances curves

2 pole fans Ø 96mm ÷ Ø172mm

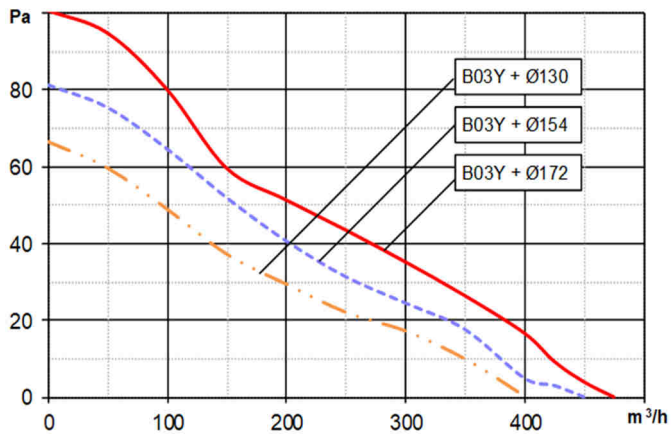
B01 ... 50Hz



B02 ... 50Hz



B03 ... 50Hz



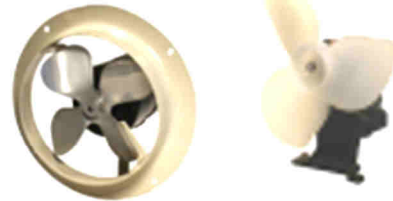
Our Axial fans view

AS - Compact fans



From 80x80x25mm to 172x150x51mm

EVE1 - 2 pole Axial fans



2.800 rpm from blade Ø 96 mm to Ø 300 mm

EVE2 - 2 pole Axial fans



2.800 rpm, from blade Ø 154 mm to Ø 300 mm

EVE - 4 pole Axial fans



1.300 rpm, from blade Ø 154 mm to Ø 300 mm

UA - Energy Saving fans - 1 speed



from blade Ø 154 mm to Ø 350 mm



UB - Energy Saving fans - 2 speed



from blade Ø 154 mm to Ø 350 mm



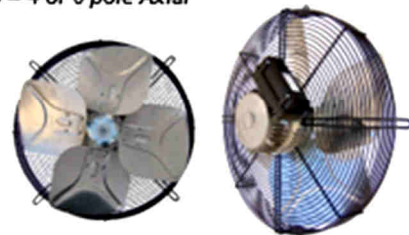
UC - Energy Saving - speed control 0-10



from blade Ø 154 mm to Ø 350 mm



EVE3 - 4 or 6 pole Axial



from blade Ø 300 mm to Ø 500 mm

PSC 2 pole axial fans

with impeller Ø154 ÷ Ø300mm & accessories



Ventilatori Assiali

MOTORE :

2 poli a condensatore

CARCASSA :

Coperchi in alluminio pressofuso
boccaglio, staffe e reti di metallo

VENTOLA :

in alluminio

CONNESSIONE

Cavo 3 x 0,5 x 500 mm

VOLTAGGI :

230V - 50/60Hz.

su richiesta :

115V- 50/60Hz.

PROTEZIONE : IP42

su richiesta : IP44

ISOLAMENTO : " B "

TEMPERATURA DI UTILIZZO :

da -25° C a + 40° C

FUNZIONALITA' : (S1)

Continua in tutte le posizioni

MARCATURA : CE

in accordo a EN 60335.1

Bassa Tensione 2014/35/UE

Direttiva Macchine 2006/42/CE

EMC 2014/30/UE

RoHS3 2015/863

AXIAL FANS

MOTOR :

2 pole PSC version

HOUSING :

Die-casting aluminium body,
metal support, ring, fanguard

IMPELLER :

aluminium

MAINS CONNECTION

Cable 3 x 0,5 x 500 mm

VOLTAGE RANGE :

230V - 50/60Hz.

on request

115V- 50/60Hz.

PROTECTION : IP42

on request : IP44

INSULATION : " B "

OPERATING TEMPERATURE :

From -25° C to + 40° C

OPERATION : (S1)

Continuous in all positions

MARKED : CE

according to EN 60335.1

2014/35/UE Low Voltage

2006/42/CE Machine Directive

EMC 2014/30/UE

RoHS3 2015/863

VENTILATEURS AXIAUX

MOTEUR :

2 pôles à condensateur

CARCASSE :

Pressofusion d' aluminium
support, virole et grille en métal

HELICE :

aluminium

CONNECTION

Cable 3 x 0,5 x 500 mm

VOLTAGE :

230V - 50/60Hz.

sur demande

115V- 50/60Hz.

PROTECTION : IP42

sur demande : IP44

ISOLATION : " B "

TEMPERATURE D'EXERCICE

de -25° C à + 40° C

TRAVAIL : (S1)

Continu en toute position

MARQUAGE : CE

en accord avec EN 60335.1

2014/35/UE Basse Tension

2006/42/CE Machine Directive

EMC 2014/30/UE

RoHS3 2015/863

AXIALVENTILATOREN

MOTOR :

2 polige Kondensatormotoren

VENTILATORGEHAUSE :

Druckguß Wandring Aluminium,
Fuß, Ring, Schutzgitter aus Eiser

AXIALLÜFTERRAD :

Aluminium

NETZANSCHLUß :

Kabel 3 x 0,5 x 500 mm lang

SPANNUNG :

230V - 50/60Hz.

auf Anfrage

115V- 50/60Hz.

SCHUTZART: IP42

auf Anfrage: IP44

ISOLATIONSKLASSE : " B "

TEMPERATUR BEREICH :

Von -25°C bis + 40°C

BETRIEBSART : (S1)

Fortdauernd in den allen Lagen

ZULASSUNGEN : CE

Abkommen mit EN 60335.1

2014/35UE

2006/42/CE

EMC 2014/30/UE

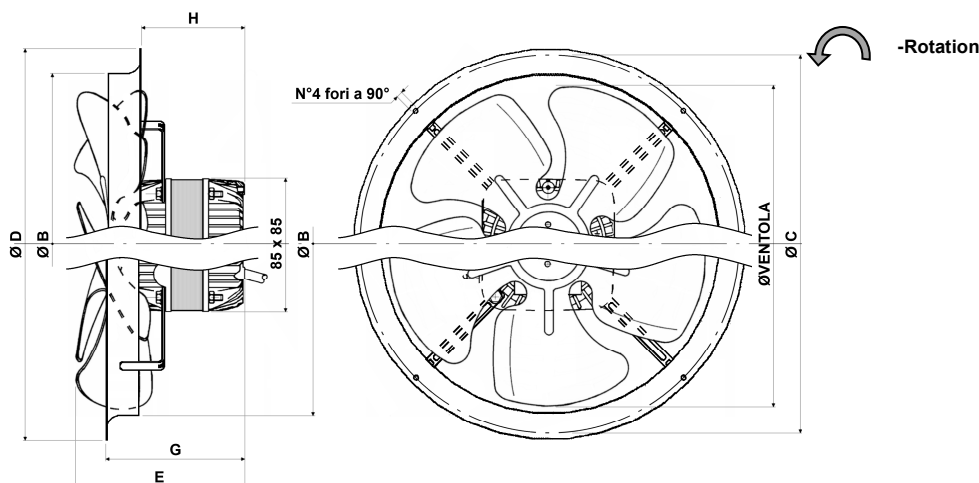
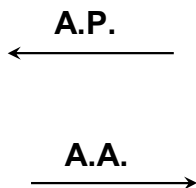
RoHS3 2015/863

Axial fans PSC 2 pole

with ring & impeller $\varnothing 154 \div \varnothing 300\text{mm}$

Serie C2L

Air direction



(*) Capacitor delivered separately

2 Pole PSC version - 230 V – 50/60Hz (on demand 115V-50/60Hz.)

Operation mode	S1	Ambient temp.	-25°C ÷ +40°C	Marking CE + Ex (*)
Mounting position	All	Max. intake air	+ 50°C	Standard of ref.
Motor bearing	Sleeve or Ball (*) bear	Max. °C storage	-40°C ÷ +80°C	EN 60335-1/A15/2-24/2-89(*) Gas IIA
Motor protection	Imp or TH	Expect. life sleeve	Over 40.000 h	60034-1(REM) 60529(IP) 60079-15(*)
Locked rotor protec.	Yes	Housing	Die-casting Alum.	(*) II 3G Ex nA IIC T4 Gc
Insulation	B	Ring /fan guard /support	Steel	2006/42/CE(Mac) 2014/35/UE(Low V.)
IP protection	42 (on demand 44 or 55)	Impeller	Aluminium	2014/30/UE(EMC) 2015/863(RoHS3)

(*) suitable on demand

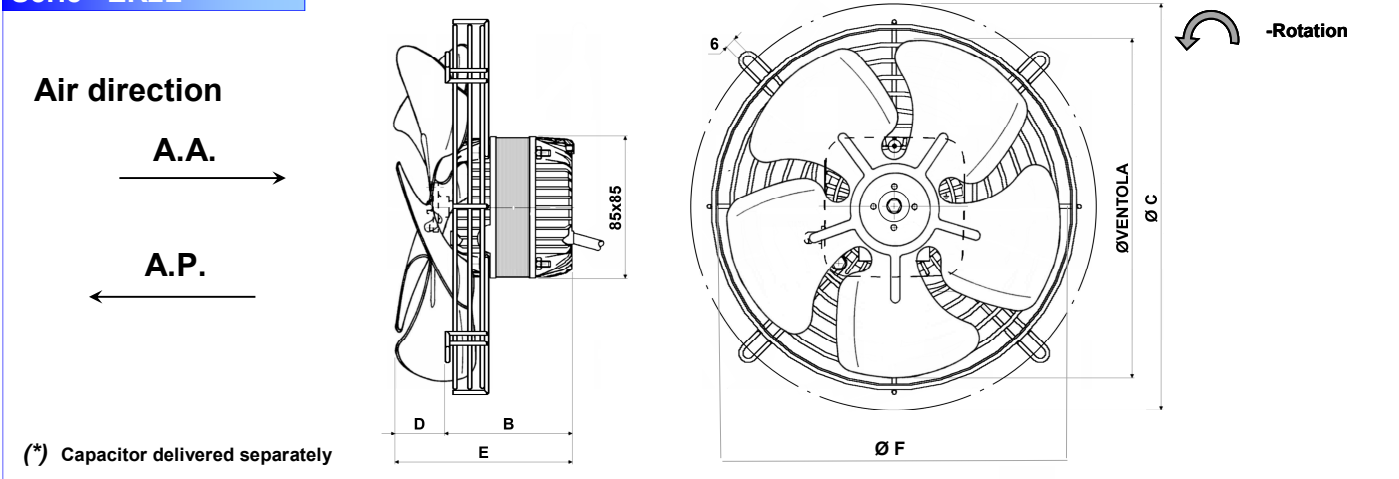
Serie C2L 2 - 3 - 4 - 5 ; 230V - 50/60Hz - marcati **CE** classe B, in accordo a EN.60335.1

CODE	Lable data				Dimensions							Impeller		
	A. 50Hz/60Hz	Wout 50Hz/60Hz	Win 50Hz/60Hz	RPM 50Hz/60Hz	µF	Prot.	B	C	D	E ±3	G (A.A.)	H (A.P.)	Ø	incl, °
C2L215U..	0,16/0,22	12/16	37/44	2900/3500	2	Term.	164	190	200	108	100	75	154	31
C2L217U..	0,35/0,40	25/30	65/75	2800/3400	2	Term.	182	208	222	109	101	76	172	31
C2L220U..	0,43/0,47	40/45	96/109	2700/3200	2	Term.	210	236	246	113	101	76	200	31
C2L323S..	0,52/0,65	55/70	115/150	2800/3200	3,15	Term.	240	266	279	132	115	90	230	27
C2L425V..	0,80/0,85	80/90	185/200	2700/2800	4	Term.	264	290	300	145	125	100	254	23
C2L530D..	0,90/0,96	95/105	200/260	2600/2700	5	Term.	310	344	356	167	135	105	300	16

Axial fans PSC 2 pole

with fan guard & impeller $\varnothing 154 \div \varnothing 300\text{mm}$

Serie ER2L



2 Pole PSC version - 230 V – 50/60Hz (on demand 115V-50/60Hz.)

Operation mode	S1	Ambient temp.	-25°C ÷ +40°C	Marking CE + Ex (*)
Mounting position	All	Max. intake air	+ 50°C	Standard of ref.
Motor bearing	Sleeve or Ball (*) bear	Max. °C storage	-40°C ÷ +80°C	EN 60335-1/A15/2-24/2-89(*) Gas IIA
Motor protection	Imp or TH	Expect. life sleeve	Over 40.000 h	60034-1(REM) 60529(IP) 60079-15(*)
Locked rotor protec.	Yes	Housing	Die-casting Alum.	(*) II 3G Ex nA IIC T4 Gc
Insulation	B	Ring /fan guard /support	Steel	2006/42/CE(Mac) 2014/35/UE(Low V.)
IP protection	42 (on demand 44 or 55)	Impeller	Aluminium	2014/30/UE(EMC) 2015/863(RoHS3)

(*) suitable on demand

Serie ER2L 2 - 3 - 4 - 5 ; 230V - 50/60Hz - marcati $\text{C} \text{€}$ classe B, in accordo a EN.60335.1

CODE	Lable data						Dimensions						Impeller	
	A. 50Hz/60Hz	Wout 50Hz/60Hz	Win 50Hz/60Hz	RPM 50Hz/60Hz	μF	Prot.	B	C	D	E ± 3	F	\varnothing	incl, °	
ER2L215U..	0,16/0,22	12/16	37/44	2900/3500	2	Term.	80	208	28	108	182	154	31	
ER2L217U..	0,35/0,40	25/30	65/75	2800/3400	2	Term.	80	208	29	109	182	172	31	
ER2L220U..	0,43/0,47	40/45	96/109	2700/3200	2	Term.	80	236	33	113	217	200	31	
ER2L323S..	0,52/0,65	55/70	115/150	2800/3200	3,15	Term.	90	280	42	132	240	230	27	
ER2L425V..	0,80/0,85	80/90	185/200	2700/2800	4	Term.	100	290	45	145	260	254	23	
ER2L530D..	0,90/0,96	95/105	200/260	2600/2700	5	Term.	133	370	34	167	335	300	16	

Universal PSC 2 pole motors

multi fixing

Serie L22 - 23 - 25

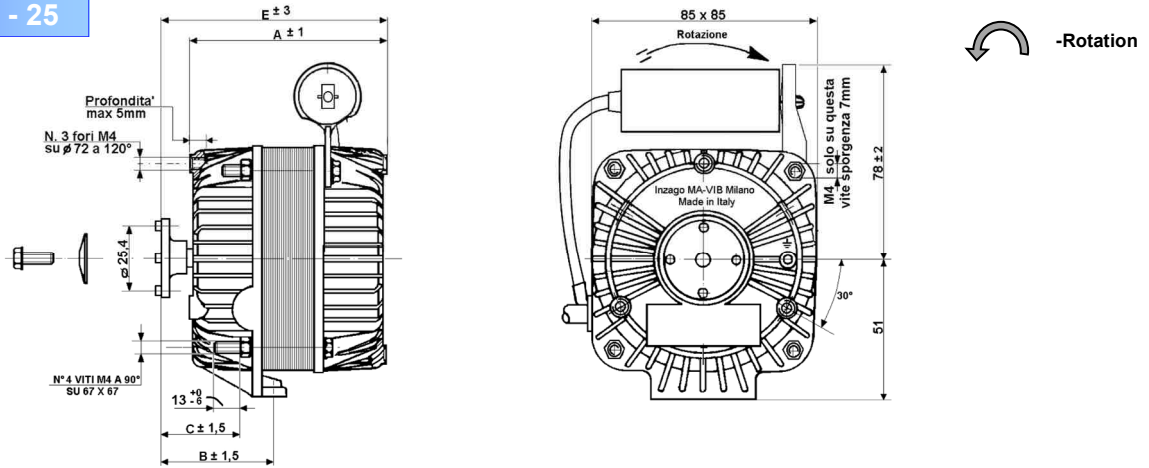
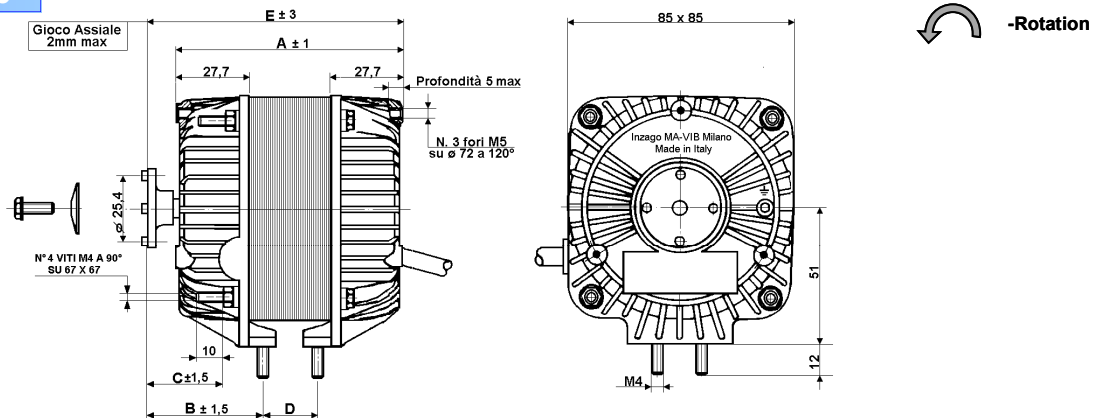


Fig.1

Serie L22 - 23 - 25



(*) Capacitor delivered separately

Fig.2

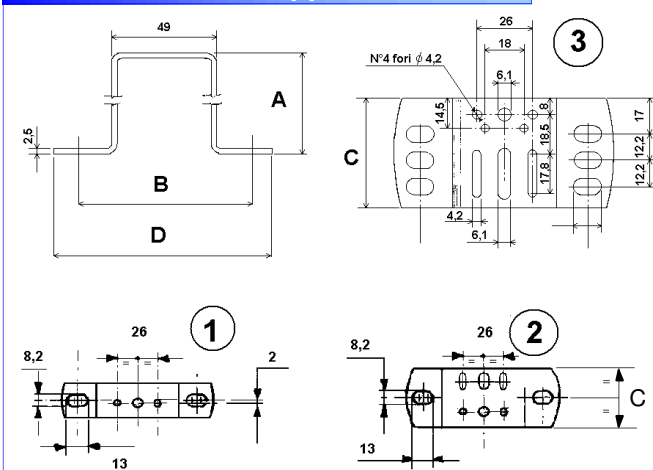
Serie L22 - 23 - 24 - 25 : 230V - 50/60Hz - marcati C € classe B, in accordo a EN.60335.1

CODE	Lable data						Dimensions					Impeller		Fig.
	A.	W _{out}	W _{in}	RPM	µF	Prot.	A	B	C	D	E	ø	incl. °	
L22Y0. ...	0,16/0,22	12/16	37/44	2900/3500	2	Therm.						154	31	1
	0,35/0,40	25/30	65/75	2800/3400	2	Therm.	75,5	47	32		90	172	31	
	0,43/0,47	40/45	96/109	2700/3200	2	Therm.						200	31	
25.82.225..	0,32/0,36	20/28	75/85	2450/2550	2	Therm.	72		31		85	200	31	2
L23Y023SA...	0,52/0,65	55/70	115/150	2800/3200	3,15	Therm.	85,5	47	32	20	100	230	27	
L24Y025VA...	0,80/0,85	80/90	185/200	2700/2800	4	Therm.	95	47	32	30	110	254	23	
L25Y030DA...	0,90/0,96	95/105	200/260	2600/2700	5	Therm.	108	46	31	42,5	120	300	16	

Accessories

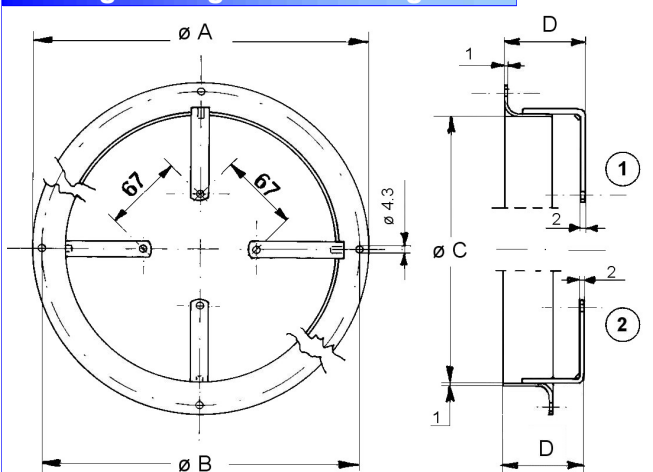
For PSC 2 pole motors

Staffe - Bracket - Support - Fuß



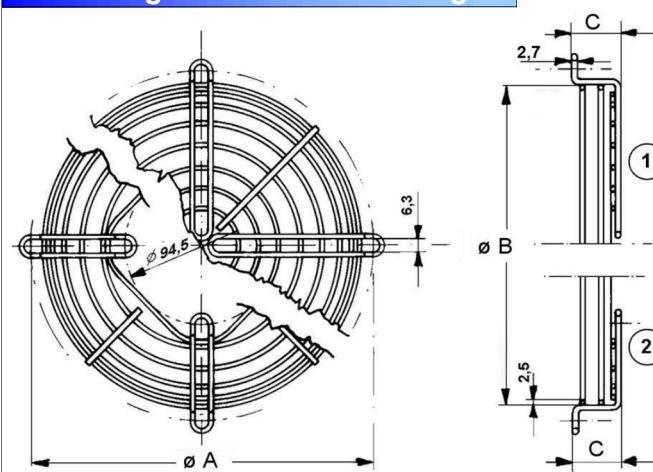
CODE	Dimensions				Pacco mm	Fig.
	A	B	C	D		
087.0119.0000	39	78	25	101	13/20	1
087.0102.0000	52	78	25	101	13/20	
087.0100.0000	71	78	25	101	13/20	
087.0101.0000	83	78	25	101	20/25	2
087.0116.0000	83	78	42	101	30	3
087.0120.0000	83	78	52	101	30/40/45	
087.0125.0000	108,5	78	52	101		3
087.0123.0000	55	130	25	153	13/20	1
087.0212.0000	72	133	25	156	13/20	
087.0211.0000	72	159	25	182	13/20	
087.0213.0000	110,5	154	52	177	30/40/45	3

Bocchigli - Ring - Virole - Ring



CODE	Dimensions				Impeller ø, mm	Fig.
	A	B	C	D		
079.0301.0000	200	190	162	46	154	1
079.0303.0000	222	208	180	46,5	172	
079.0305.0000	246	236	208	47	200	
079.0309.0000	276	266	238	51	230	
079.0308.0000	300	290	262	51	254	
079.0310.0000	356	344	308	51	300	2
079.0201.0000	200	190	162	46	154	
079.0203.0000	222	208	180	46,5	172	
079.0205.0000	246	236	208	46,5	200	
079.0212.0000	276	266	238	51	230	
079.0209.0000	300	290	262	51	254	
079.0210.0000	356	344	308	51	300	

Reti - Fanguard - Grille - Schutzgitter

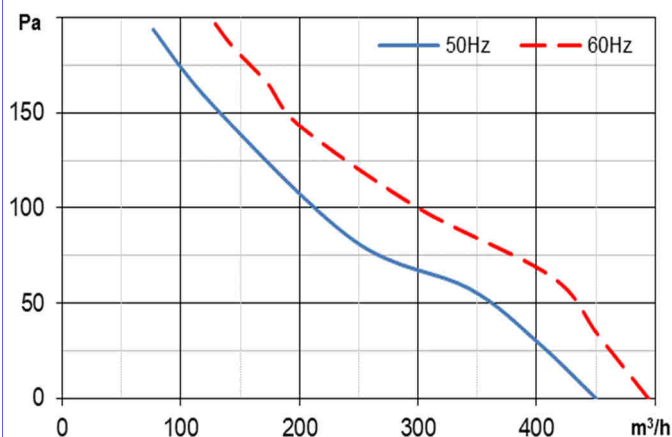


CODE	Dimensions			Impeller ø, mm	Fig.
	A	B	C		
036.0304.0000	208	188	26	172	1
036.0312.0000	236	226	26	200	
036.0300.0000	270	246	26	230	
036.0301.0000	290	267	36	254	
036.0412.0005	365	340	50	300	
036.0305.0000	208	188	26	172	2
036.0203.0000	236	223	26	200	
036.0200.0000	280	246	26	230	
036.0201.0000	289	266	26	254	
036.0201.0037	289	266	37	254	
036.0412.0000	365	340	47	300	
036.0354.0000	420	380	53	350	

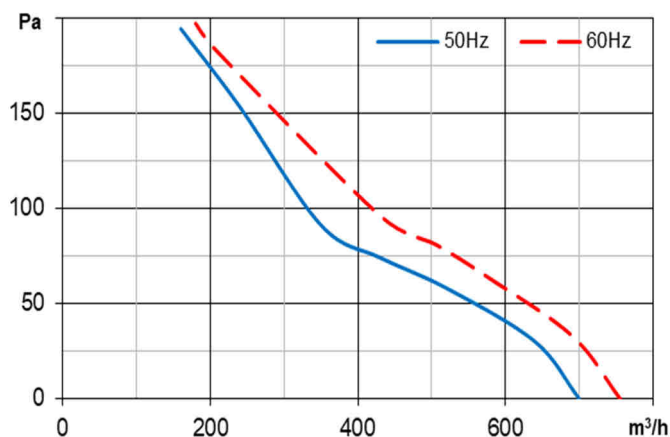
Performances curves

PSC 2 pole fans $\varnothing 154\text{mm} \div \varnothing 300\text{mm}$

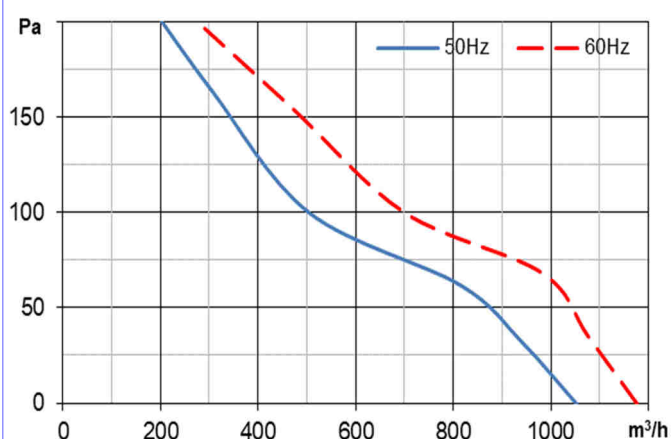
ER2L2 / C2L2 / L22 $\varnothing 154/31^\circ$



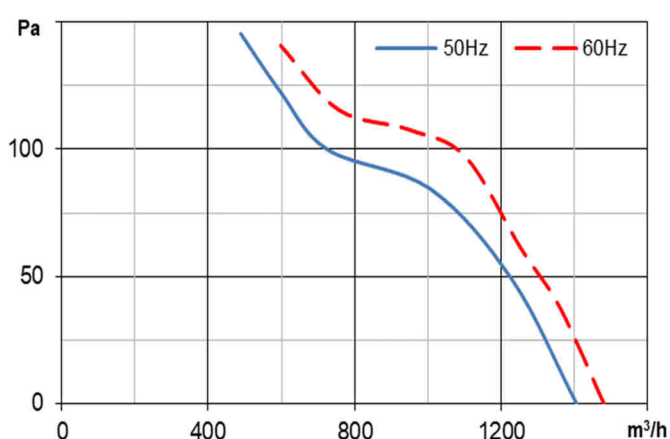
ER2L2 / C2L2 / L22 $\varnothing 172/31^\circ$



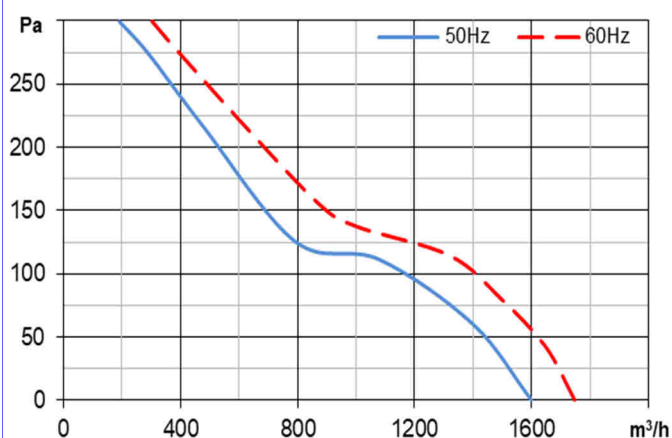
ER2L2 / C2L2 / L22 $\varnothing 200/31^\circ$



ER2L3 / C2L3 / L23 $\varnothing 230/27^\circ$



ER2L4 / C2L4 / L24 $\varnothing 254/23^\circ$



ER2L5 / C2L5 / L25 $\varnothing 300/16^\circ$

