

# Assiali compatti

## Ø 80mm ... Ø172mm

Compact cooling fans  
Ø 80 mm ... Ø172mm

Ventilateurs compacts  
Ø 80 mm ... Ø172mm

Kompaktventilatoren  
Ø 80 mm ... Ø172mm



### Compatti

### Compact Fans

### Ventilateurs Compacts

### Kompaktventilatoren

#### MOTORE :

2 poli a poli schermati  
o a condensatore

#### CARCASSA :

In alluminio pressofuso , verniciata  
di nero

#### VENTOLA :

In materiale plastico PBT + 30%  
fibra di vetro , UL94V-0

#### CONNESSIONE

n° 2 faston 2,8 x 0,5 mm o  
cavo da 300mm

#### VOLTAGGI :

230V - 50/60Hz. ( 207V - 244V )  
115V - 50/60Hz. ( 90V - 127V )  
24V DC ( 20,4V - 27,8V )  
12V DC ( 10,2V - 13,8V )

**PROTEZIONE :** IP40 / IP55

**ISOLAMENTO :** " B "

#### TEMPERATURA DI UTILIZZO :

da -10° C a +70° C per bronzine  
da -20° C a +80° C per cuscinetti

**FUNZIONALITA' :** ( S1 )

Continua in tutte le posizioni

**MARCATURA :** CE

In accordo a EN 60335.1

#### MOTOR :

2 pole shaded pole or  
PSC version

#### HOUSING :

Die-casting aluminium , black  
painted

#### IMPELLER :

Thermoplastic PBT + 30% fiber  
glass UL94V-0

#### CONNECTION

n° 2 terminals 2,8 x 0,5 or  
2 leads 300mm

#### VOLTAGE RANGE :

230V - 50/60Hz. ( 207V - 244V )  
115V - 50/60Hz. ( 90V - 127V )  
24V DC ( 20,4V - 27,8V )  
12V DC ( 10,2V - 13,8V )

**PROTECTION :** IP40 / IP55

**INSULATION :** " B "

#### TEMPERATURE RANGE :

From -10° C to +70° C sleeve bearing  
From -20° C to +80° C ball bearing

**OPERATION :** ( S1 )

Continuous in all positions

**MARKING :** CE

According to EN 60335.1

#### MOTEUR :

2 pôles " shaded pole "  
ou à condensateur

#### CARCASSE :

Pressofusion d' aluminium  
vernise en noir

#### HELICE :

Plastique PBT + 30% de fibre  
de verre UL94V-0

#### CONNECTION

n° 2 cosse 2,8 x 0,5 ou  
câbles 300 mm

#### VOLTAGE :

230V - 50/60Hz. ( 207V - 244V )  
115V - 50/60Hz. ( 90V - 127V )  
24V DC ( 20,4V - 27,8V )  
12V DC ( 10,2V - 13,8V )

**PROTECTION :** IP40 / IP55

**ISOLATION :** " B "

#### TEMPERATURE D'EXERCICE :

de -10° C à +70° C paliers  
de -20° C à +80° C roulement

**TRAVAIL :** ( S1 )

Continu en toute position

**MARQUAGE :** CE

En accord avec EN 60335.1

#### MOTOR :

2 polige Spaltpolmotoren  
oder Kondensatormotoren

#### VENTILATORGEHAUSE :

Druckguß Wandring Aluminium  
schwarz Einbrennlackiert

#### AXIALLÜFTERRAD :

Kunststharzpreßstoff PBT+30%  
Glasfaser UL 94V-0

#### NETZANSCHLUß :

Flachstecker 2,8x0,5 oder Kabel  
300mm lang

#### SPANNUNG :

230V - 50/60Hz. ( 207V - 244V )  
115V - 50/60Hz. ( 90V - 127V )  
24V DC ( 20,4V - 27,8V )  
12V DC ( 10,2V - 13,8V )

**SCHUTZART :** IP40

**ISOLATIONSKLASSE :** " B "

#### TEMPERATUR BEREICH :

Von -10° C bis +70° C Gleitlager  
Von -20° C bis +80° C Kugellager

**BETRIEBSART :** (S1)

Fortdauernd in den allen Lagen

**ZULASSUNGEN :** CE

Abkommen mit EN 60335.1

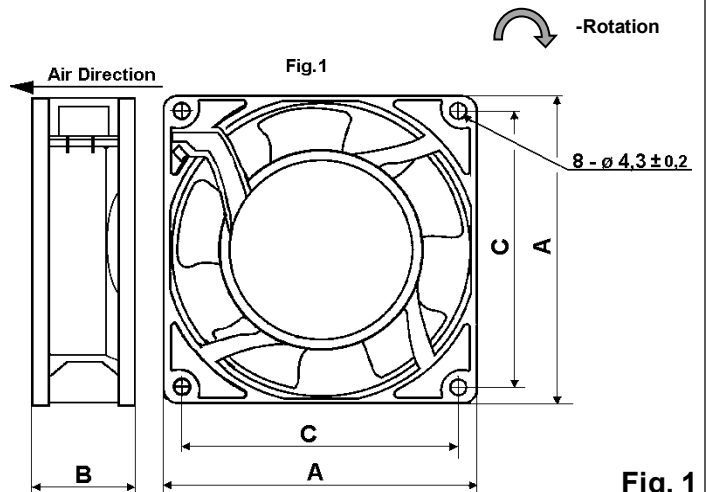
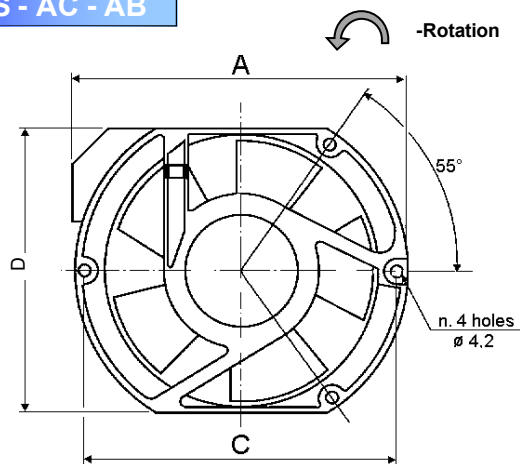
# Assiali Compatti

Compact cooling fans

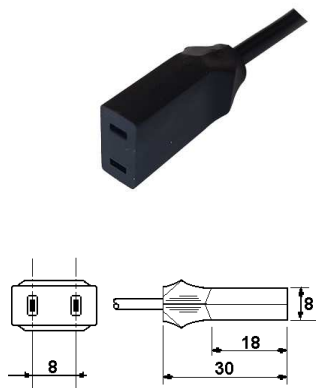
Ventilateurs compacts

Kompaktventilatoren

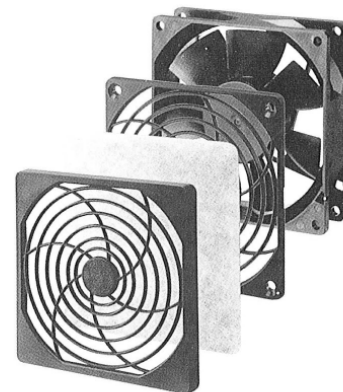
## Serie AS - AC - AB



## Accessori



054.200M.0000

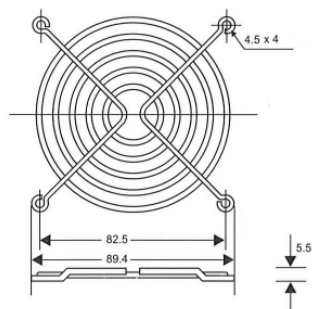


Filtro, e reti in plastica

## Accessori - Reti



036.ASPL.0080



036.ASAC.0092



036.ASPL.0119



036.ASPL.0172




# Assiali Compatti

Compact cooling fans

Ventilateurs compacts

Kompaktventilatoren


Serie AC/AS ... : 230V - 50/60Hz - marcati  classe B, in accordo a EN.60335.1

CODE	Electric data				Dimensions			Airflow max, m <sup>3</sup> /h 50Hz/60Hz	Noise dB(A) 50Hz/60Hz	Connection	Bearing	Fig.	
	A. 50Hz / 60Hz	W <sub>in</sub> 50Hz / 60Hz	RPM 50Hz / 60Hz	Protection Electric IP	A	B	C						
AS 8025 BR . . C Y	0,06	12	2400/2900	Imped.	40	80	25,5	71,5	29/36	29/33	Cable Terminal	Sleeve	1
AS 8025 BR . . T Y													
AS 8038 BR . . C Y	0,08	11	2100/2200	Imped.	40	80	38,5	71,5	34/39	30/31	Cable Terminal	Sleeve	1
AS 8038 BR T Y H													
AS 8038 CU . . C Y	0,08	11	2100/2200	Imped.	40	80	38,5	71,5	34/39	30/31	Cable Terminal	Ball	1
AS 8038 CU . . T Y													
AS 9225 BR . . C Y	0,07/0,06	14	2300/2800	Imped.	40	92	25,5	82,5	48/54	36/38	Cable Terminal	Sleeve	1
AS 9225 BR . . Y Y													
AS 9238 BR . . C Y	0,07	13/11	2100/2400	Imped.	40	92	38,5	82,5	76/81	36/39	Cable Terminal	Sleeve	1
AS 9238 BR T Y H													
AS 9238 CU . . C Y													
AS 9238 CU . . T Y													
AS 11925 BR . . C Y	0,10	14	2300/2800	Imped.	40	119	25,5	104	112/132	42/43	Cable Terminal	Sleeve	1
AS 11925 BR . . T Y													
AS 11925 CU . . C Y													
AS 11925 CU . . T Y													
AS 11938 BR . . C Y	0,12/0,10	20/16	2650/3100	Imped.	40	119	38,5	104	142/150	43/48	Cable Terminal	Sleeve	1
AS 11938 BR . . T Y													
AS 11938 CU 2 T Y H													
AS 11938 CU 3 T Y H													
AS 11938 CU 4 T Y H	0,11/0,10	18/16	2600/2850	Imped.	55	119	38,5	104	138/133	36/34	Terminal	Ball	1
AS 11938 CU 3 T Y H	0,06/0,05	10/9	2100/1600						118/95	35/32			
AS 11938 CU 4 T Y H	0,11/0,10	18/16	2600/2850						144/148	43/46			
AC 17251 CU 7 C Y H	0,10	23/24	2700/3100	Therm.	55	172	51	162	336/390	53/59	Cable Terminal	Ball	2
AC 17251 CU 1 T Y H	0,11/0,14	30	2800/3350						324/400	55/59			

CU = Ball bearing; BR = Sleeve bearing

8025 = 80x80x25; 8038 = 80x80x38; 9225 = 92x92x25; 9238 = 92x92x38;  
11925 = 119x119x25; 11938 = 119x119x38; 17238 = 172x151x38; 17251 = 172x151x51

AB - Brushless fan motor; AC - Capacitor fan motor; AS - Shaded Pole fan motor

Serie AB .... in corrente continua: marcati  classe B, in accordo a EN.60335.1

CODE	Electric data					Dimensions				Airflow max m3/h	Noise dB(A)	Fig.
	V.	A.	W <sub>in</sub>	RPM	Prot.	A	B	C	D			
AB 8025 BR 1 . . R	12	0,20	2,40	3000	-	80	25,5	71,5	-	68	35	1
AB 8025 BR 1 . . S	24	0,13	3,12	3000								
AB 9225 BR 1 . . R	12	0,24	2,88	3200	-	92	25,5	82,5	-	104	40	1
AB 9225 BR 1 . . S	24	0,18	4,32	3000								
AB 11925 BR 1 C . R	12	0,33	3,96	3000	-	120	25,5	105	-	153	50	1
AB 11925 BR 1 C . S	24	0,24	5,86	3000								
AB 11938 BR 1 C . R	12	1,07	12,84	4200	-	120	38	105	-	245	55,1	1
AB 11938 BR 1 C . S	24	0,40	9,60	2800								



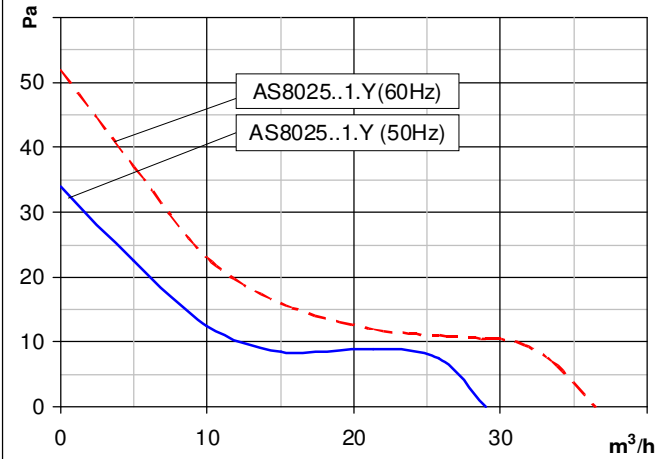
# Curve di portata

Performance curves

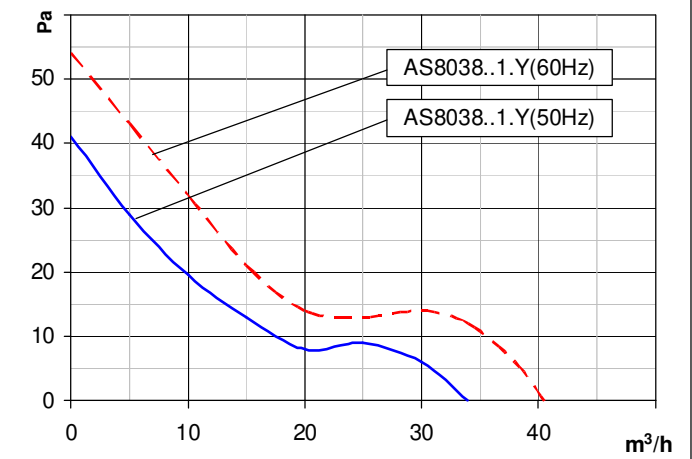
Courbes de débit

Luftleistungskennlinien

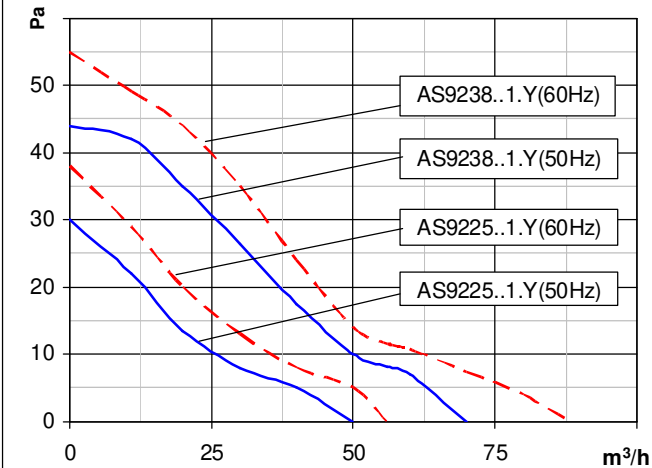
AS8025 ...



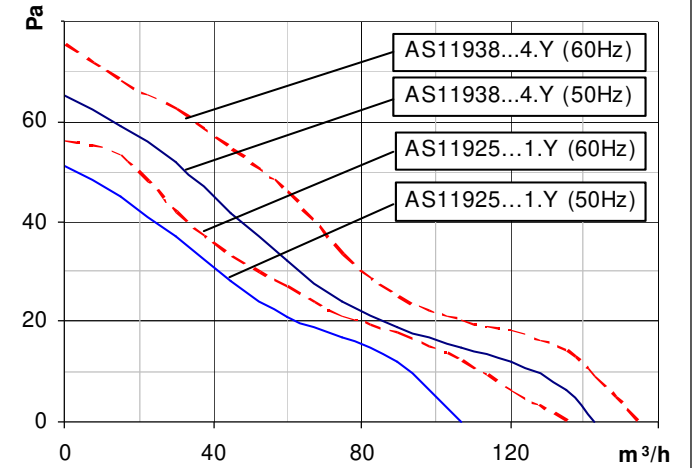
AS8038 ...



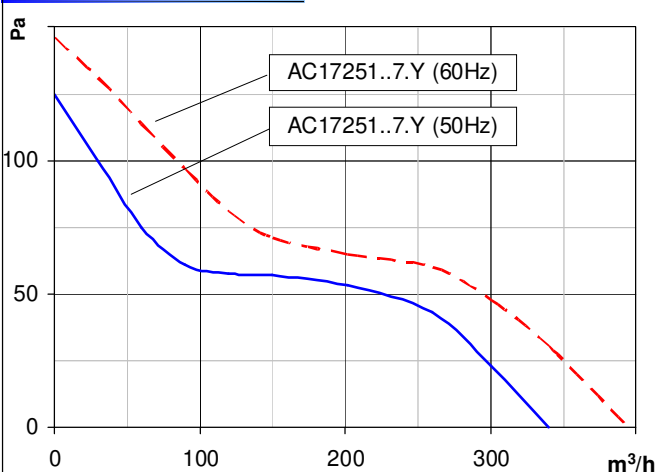
AS9225 .. AS9238 ..



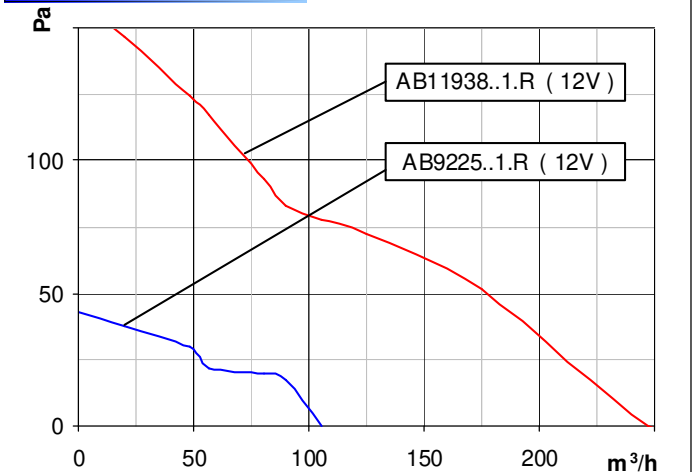
AS11925 .. AS11938



AC17251 ...



AB9225/11938... 12V



Tutti i dati di questo catalogo sono indicativi e possono essere variati senza preavviso. All data are indicative and may change without notice.

