

Assiali compatti

Ø 80mm ... Ø172mm

Compact cooling fans
Ø 80 mm ... Ø172mm

Ventilateurs compacts
Ø 80 mm ... Ø172mm

Kompaktventilatoren
Ø 80 mm ... Ø172mm



Compatti

Compact Fans

Ventilateurs Compacts

Kompaktventilatoren

MOTORE :

2 poli a poli schermati
o a condensatore

CARCASSA :

In alluminio pressofuso , verniciata
di nero

VENTOLA :

In materiale plastico PBT + 30%
fibra di vetro , UL94V-0

CONNESSIONE

n°2 faston 2,8 x 0,5 mm o
cavo da 300mm

VOLTAGGI :

230V - 50/60Hz. (207V - 244V)
115V- 50/60Hz. (90V - 127V)
24V DC (20,4V - 27,8V)
12V DC (10,2V - 13,8V)

PROTEZIONE : IP40 / IP55

ISOLAMENTO : " B "

TEMPERATURA DI UTILIZZO :

da -10°C a +70°C per bronzine
da -20°C a +80°C per cuscinetti

FUNZIONALITA' : (S1)

Continua in tutte le posizioni

MARCATURA : CE

In accordo a EN 60335.1

MOTOR :

2 pole shaded pole or
PSC version

HOUSING :

Die-casting aluminium , black
painted

IMPELLER :

Thermoplastic PBT + 30% fiber
glass UL94V-0

CONNECTION

n°2 terminals 2,8 x 0,5 or
2 leads 300mm

VOLTAGE RANGE :

230V - 50/60Hz. (207V - 244V)
115V- 50/60Hz. (90V - 127V)
24V DC (20,4V - 27,8V)
12V DC (10,2V - 13,8V)

PROTECTION : IP40 / IP55

INSULATION : " B "

TEMPERATURE RANGE :

-10°C to +70°C sleeve bearing
-20°C to +80°C ball bearing

OPERATION : (S1)

Continuous in all positions

MARKING : CE

According to EN 60335.1

MOTEUR :

2 pôles " shaded pole "
ou à condensateur

CARCASSE :

Pressofusion d' aluminium
vernies en noir

HELICE :

Plastique PBT + 30% de fibre
de verre UL94V-0

CONNECTION

n°2 coses 2,8 x 0,5 ou
câbles 300 mm

VOLTAGE :

230V - 50/60Hz. (207V - 244V)
115V- 50/60Hz. (90V - 127V)
24V DC (20,4V - 27,8V)
12V DC (10,2V - 13,8V)

PROTECTION : IP40 / IP55

ISOLATION : " B "

TEMPERATURE D'EXERCICE :

de -10°C à +70°C paliers
de -20°C à +80°C roulement

TRAVAIL : (S1)

Continu en toute position

MARQUAGE : CE

En accord avec EN 60335.1

MOTOR :

2 polige Spaltpolmotoren
oder Kondensatormotoren

VENTILATORGEHAUSE :

Druckguß Wandring Aluminium
schwarz Einbrennlackiert

AXIALLÜFTERRAD :

Kunststharzpreßstoff PBT+30%
Glasfaser UL 94V-0

NETZANSCHLUß :

Flachstecker 2,8x0,5 oder Kabel
300mm lang

SPANNUNG :

230V - 50/60Hz. (207V - 244V)
115V- 50/60Hz. (90V - 127V)
24V DC (20,4V - 27,8V)
12V DC (10,2V - 13,8V)

SCHUTZART : IP40

ISOLATIONSKLASSE : " B "

TEMPERATUR BEREICH :

-10°C bis +70°C Gleitlager
-20°C bis +80°C Kugellager

BETRIEBSART : (S1)

Fortdauernd in den allen Lagen

ZULASSUNGEN : CE

Abkommen mit EN 60335.1



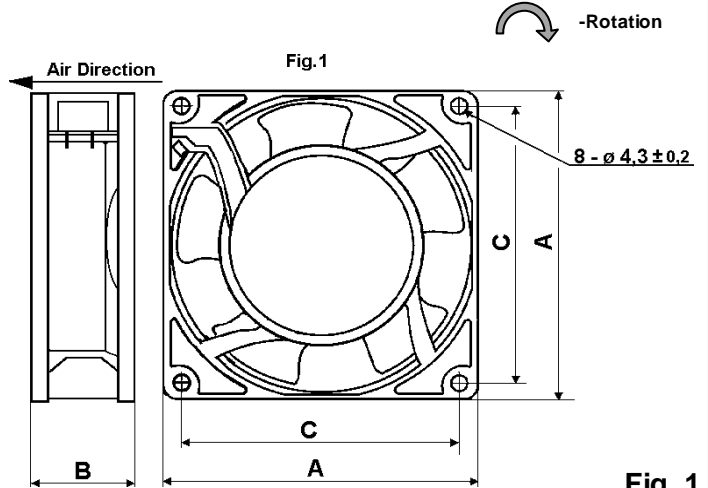
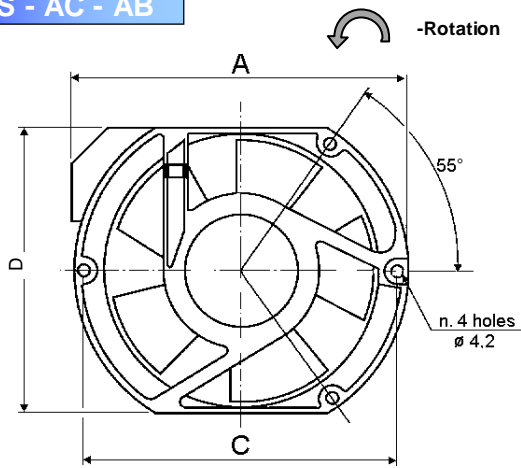
Assiali Compatti

Compact cooling fans

Ventilateurs compacts

Kompaktventilatoren

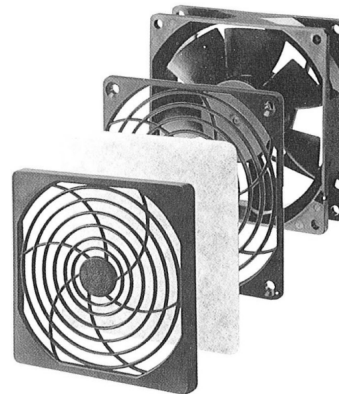
Serie AS - AC - AB



Accessori



054.200M.0045

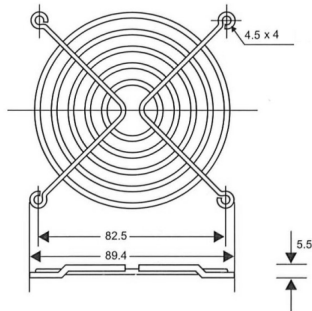


Filtro, in reti in plastica

Accessori - Reti



036.ASPL.0080



036.ASAC.0092



036.ASPL.0119



036.ASPL.0172

Assiali Compatti

Compact cooling fans

Ventilateurs compacts

Kompaktventilatoren

Serie AC/AS ... : 230V - 50/60Hz - marcati **CE** classe B, in accordo a EN.60335.1

70341/P	CODE					Electric data				Dimensions			Airflow	Noise	Connection	Bearing	Fig.	
						A.	W _{in}	RPM	Protection		A	B	C	max, m ³ /h				dB(A)
	50Hz/60Hz	50Hz/60Hz	50Hz/60Hz	Electric	IP				50Hz/60Hz	50Hz/60Hz								
AS	8025	BR	.	C	Y	0,06	12	2400/2900	Imped.	40	80	25,5	71,5	29/36	29/33	Cable	Sleeve	1
AS	8025	BR	.	T	Y										Terminal			
AS	8038	BR	.	C	Y	0,08	11	2100/2200	Imped.	40	80	38,5	71,5	34/39	30/31	Cable	Sleeve	1
AS	8038	BR	.	T	Y					55					Terminal			
AS	8038	CU	.	C	Y	0,08	11	2100/2200	Imped.	40	80	38,5	71,5	34/39	30/31	Cable	Ball	1
AS	8038	CU	.	T	Y										Terminal			
AS	9225	BR	.	C	Y	0,07/0,06	14	2300/2800	Imped.	40	92	25,5	82,5	48/54	36/38	Cable	Sleeve	1
AS	9225	BR	.	Y	Y										Terminal			
AS	9238	BR	.	C	Y					40					Cable	Sleeve	1	
AS	9238	BR	.	T	Y	0,07	13/11	2100/2400	Imped.	55	92	38,5	82,5	76/81	36/39	Terminal		
AS	9238	CU	.	C	Y					40					Cable	Ball	1	
AS	9238	CU	.	T	Y										Terminal			
AS	11925	BR	.	C	Y	0,10	14	2300/2800	Imped.	40	119	25,5	104	112/132	42/43	Cable	Sleeve	1
AS	11925	BR	.	T	Y										Terminal			
AS	11925	CU	.	C	Y										Cable	Ball	1	
AS	11925	CU	.	T	Y										Terminal			
AS	11938	BR	.	C	Y	0,12/0,10	20/16	2650/3100	Imped.	40	119	38,5	104	142/150	43/48	Cable	Sleeve	1
AS	11938	BR	.	T	Y										Terminal			
AS	11938	CU	2	T	Y	0,08/0,07	13/12	2400/2300						138/133	36/34			
AS	11938	CU	3	T	Y	0,06/0,05	10/9	2100/1600	Imped.	55	119	38,5	104	118/95	35/32	Terminal	Ball	1
AS	11938	CU	4	T	Y	0,11/0,10	18/16	2600/2850						144/148	43/46			
AC	17251	CU	7	C	Y	0,10	23/24	2700/3100	Therm.	55	172	51	162	336/390	53/59	Cable	Ball	2
AC	17251	CU	1	T	Y	0,11/0,14	30	2800/3350						324/400	55/59	Terminal		

CU = Ball bearing; BR = Sleeve bearing

8025 = 80x80x25; 8038 = 80x80x38; 9225 = 92x92x25; 9238 = 92x92x38;
11925 = 119x119x25; 11938 = 119x119x38; 17238 = 172x151x38; 17251 = 172x151x51

AB - Brushless fan motor; AC - Capacitor fan motor; AS - Shaded Pole fan motor

Serie AB in corrente continua: marcati **CE** classe B, in accordo a EN.60335.1

70341/P	CODE					Electric data					Dimensions				Airflow	Noise	Fig.
						V.	A.	W _{in}	RPM	Prot.	A	B	C	D	max m3/h	dB(A)	
AB	8025	BR	1	.	R	12	0,20	2,40	3000	-	80	25,5	71,5	-	68	35	1
AB	8025	BR	1	.	S	24	0,13	3,12	3000								
AB	9225	BR	1	.	R	12	0,24	2,88	3200	-	92	25,5	82,5	-	104	40	1
AB	9225	BR	1	.	S	24	0,18	4,32	3000					96	39		
AB	11925	BR	1	C	R	12	0,33	3,96	3000	-	120	25,5	105	-	153	50	1
AB	11925	BR	1	C	S	24	0,24	5,86	3000								
AB	11938	BR	1	C	R	12	1,07	12,84	4200	-	120	38	105	-	245	55,1	1
AB	11938	BR	1	C	S	24	0,40	9,60	2800					170	46,6		

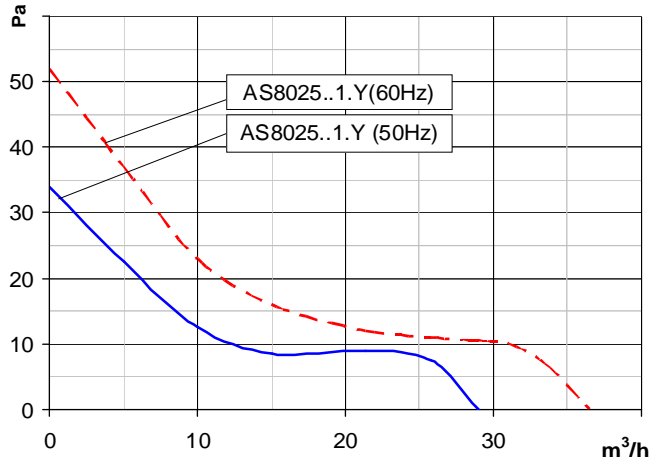
Curve di portata

Performance curves

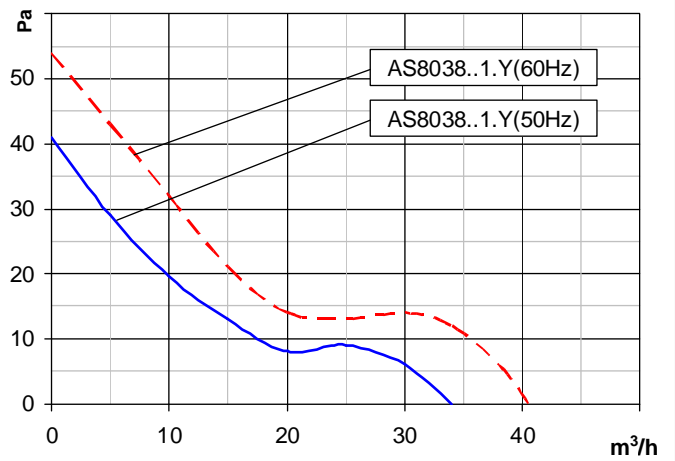
Courbes de débit

Luftleistungskennlinien

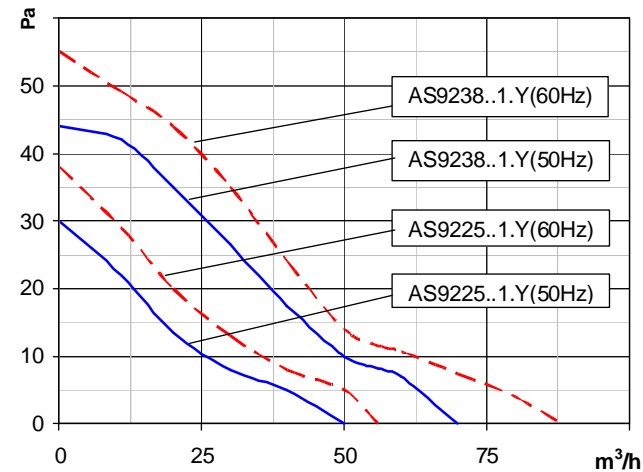
AS8025 ...



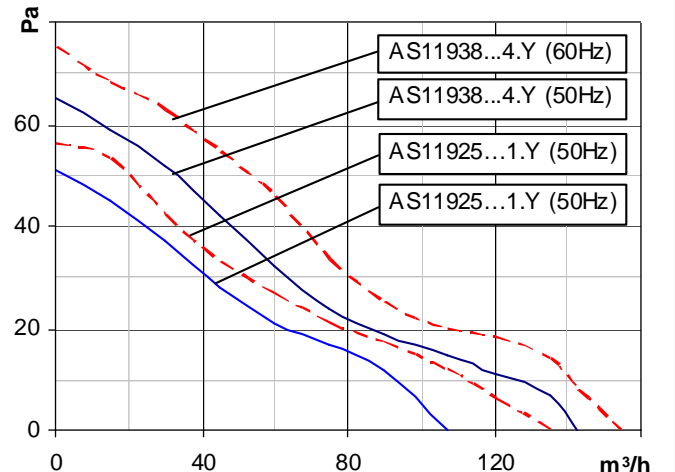
AS8038 ...



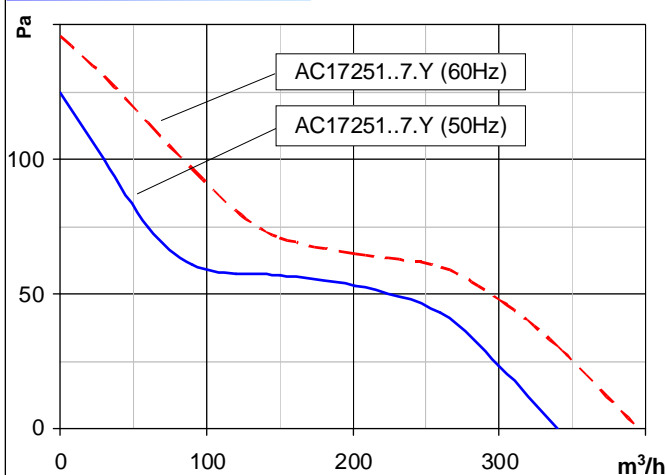
AS9225 .. AS9238 ..



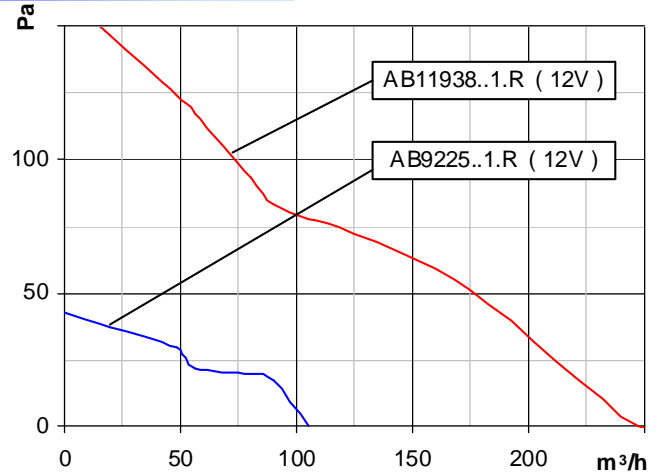
AS11925 .. AS11938



AC17251 ...



AB9225/11938... 12V



Tutti i dati di questo catalogo sono indicativi e possono essere variati senza preavviso. All data are indicative and may change without notice.

