

# Assiali compatti

## Ø 80mm ... Ø172mm

Compact cooling fans  
Ø 80 mm ... Ø172mm

Ventilateurs compacts  
Ø 80 mm ... Ø172mm

Kompaktventilatoren  
Ø 80 mm ... Ø172mm



### Compatti

### Compact Fans

### Ventilateurs Compacts

### Kompaktventilatoren

#### MOTORE :

2 poli a poli schermati  
o a condensatore

#### CARCASSA :

In alluminio pressofuso , verniciata  
di nero

#### VENTOLA :

In materiale plastico PBT + 30%  
fibra di vetro , UL94V-0

#### CONNESSIONE

n°2 faston 2,8 x 0,5 mm o  
cavo da 300mm

#### VOLTAGGI :

230V - 50/60Hz. ( 207V - 244V )  
115V- 50/60Hz. ( 90V - 127V )  
24V DC ( 20,4V - 27,8V )  
12V DC ( 10,2V - 13,8V )

PROTEZIONE : IP40 / IP55

ISOLAMENTO : " B "

#### TEMPERATURA DI UTILIZZO :

da -10°C a +70°C per bronzine  
da -20°C a +80°C per cuscinetti

#### FUNZIONALITA' : ( S1 )

Continua in tutte le posizioni

#### MARCATURA : CE

In accordo a EN 60335.1

#### MOTOR :

2 pole shaded pole or  
PSC version

#### HOUSING :

Die-casting aluminium , black  
painted

#### IMPELLER :

Thermoplastic PBT + 30% fiber  
glass UL94V-0

#### CONNECTION

n°2 terminals 2,8 x 0,5 or  
2 leads 300mm

#### VOLTAGE RANGE :

230V - 50/60Hz. ( 207V - 244V )  
115V- 50/60Hz. ( 90V - 127V )  
24V DC ( 20,4V - 27,8V )  
12V DC ( 10,2V - 13,8V )

PROTECTION : IP40 / IP55

INSULATION : " B "

#### TEMPERATURE RANGE :

-10°C to +70°C sleeve bearing  
-20°C to +80°C ball bearing

#### OPERATION : ( S1 )

Continuous in all positions

#### MARKING : CE

According to EN 60335.1

#### MOTEUR :

2 pôles " shaded pole "  
ou à condensateur

#### CARCASSE :

Pressofusion d' aluminium  
vernies en noir

#### HELICE :

Plastique PBT + 30% de fibre  
de verre UL94V-0

#### CONNECTION

n°2 cosses 2,8 x 0,5 ou  
câbles 300 mm

#### VOLTAGE :

230V - 50/60Hz. ( 207V - 244V )  
115V- 50/60Hz. ( 90V - 127V )  
24V DC ( 20,4V - 27,8V )  
12V DC ( 10,2V - 13,8V )

PROTECTION : IP40 / IP55

ISOLATION : " B "

#### TEMPERATURE D'EXERCICE :

de -10°C à +70°C paliers  
de -20°C à +80°C roulement

#### TRAVAIL : ( S1 )

Continu en toute position

#### MARQUAGE : CE

En accord avec EN 60335.1

#### MOTOR :

2 polige Spaltpolmotoren  
oder Kondensatormotoren

#### VENTILATORGEHAUSE :

Druckguß Wandring Aluminium  
schwarz Einbrennlackiert

#### AXIALLÜFTERRAD :

Kunststharzpreßstoff PBT+30%  
Glasfaser UL 94V-0

#### NETZANSCHLUß :

Flachstecker 2,8x0,5 oder Kabel  
300mm lang

#### SPANNUNG :

230V - 50/60Hz. ( 207V - 244V )  
115V- 50/60Hz. ( 90V - 127V )  
24V DC ( 20,4V - 27,8V )  
12V DC ( 10,2V - 13,8V )

SCHUTZART : IP40

ISOLATIONSKLASSE : " B "

#### TEMPERATUR BEREICH :

-10°C bis +70°C Gleitlager  
-20°C bis +80°C Kugellager

#### BETRIEBSART : (S1)

Fortdauernd in den allen Lagen

#### ZULASSUNGEN : CE

Abkommen mit EN 60335.1



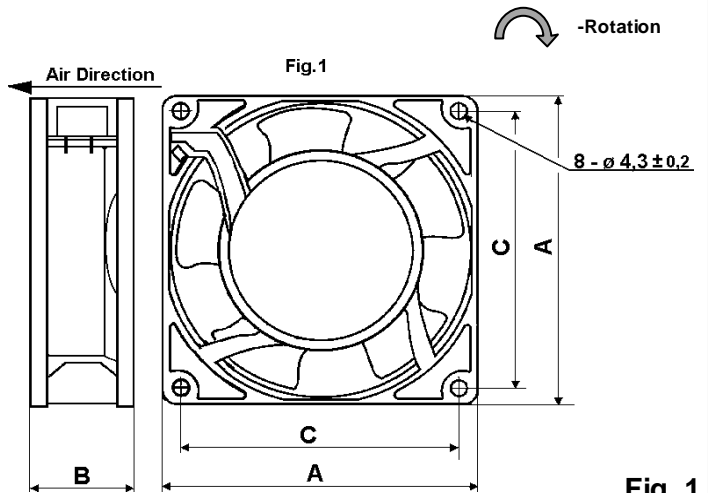
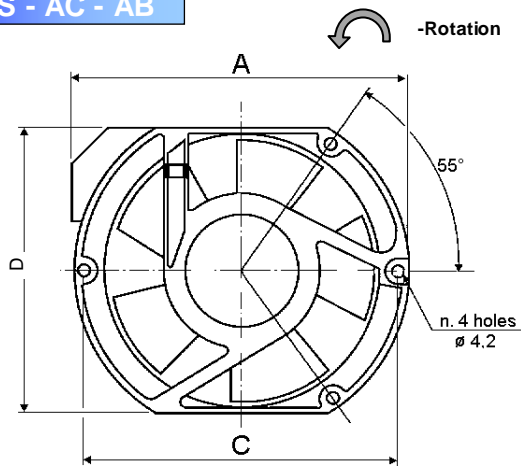
# Assiali Compatti

Compact cooling fans

Ventilateurs compacts

Kompaktventilatoren

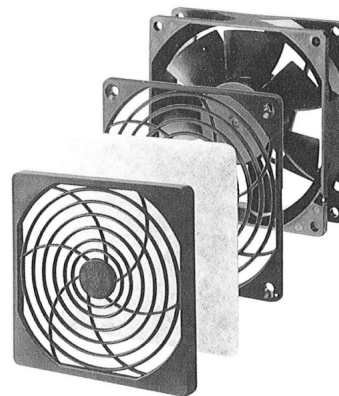
## Serie AS - AC - AB



## Accessori



054.200M.0045

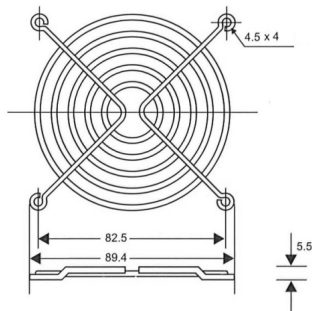


Filtro e reti in plastica

## Accessori - Reti



036.ASPL.0080



036.ASAC.0092



036.ASPL.0119



036.ASPL.0172

# Assiali Compatti

Compact cooling fans

Ventilateurs compacts

Kompaktventilatoren

Serie AC/AS ... : 230V - 50/60Hz - marcati **CE** classe B, in accordo a EN.60335.1

T0334/FP	CODE					Electric data				Dimensions			Airflow	Noise	Connection	Bearing	Fig.	
						A.	W <sub>in</sub>	RPM	Protection	A	B	C	max, m <sup>3</sup> /h	dB(A)				
	50Hz/60Hz	50Hz/60Hz	50Hz/60Hz	Electric	IP				50Hz/60Hz	50Hz/60Hz								
AS	8025	BR	.	C	Y	0,06	12	2400/2900	Imped.	40	80	25,5	71,5	29/36	29/33	Cable	Sleeve	1
AS	8025	BR	.	T	Y										Terminal			
AS	8038	BR	.	C	Y	0,08	11	2100/2200	Imped.	40	80	38,5	71,5	34/39	30/31	Cable	Sleeve	1
AS	8038	BR	.	T	Y					55					Terminal			
AS	8038	CU	.	C	Y	0,08	11	2100/2200	Imped.	40	80	38,5	71,5	34/39	30/31	Cable	Ball	1
AS	8038	CU	.	T	Y										Terminal			
AS	9225	BR	.	C	Y	0,07/0,06	14	2300/2800	Imped.	40	92	25,5	82,5	48/54	36/38	Cable	Sleeve	1
AS	9225	BR	.	Y	Y										Terminal			
AS	9238	BR	.	C	Y					40					Cable	Sleeve	1	
AS	9238	BR	.	T	Y	0,07	13/11	2100/2400	Imped.	55	92	38,5	82,5	76/81	36/39	Terminal		
AS	9238	CU	.	C	Y					40					Cable	Ball	1	
AS	9238	CU	.	T	Y										Terminal			
AS	11925	BR	.	C	Y	0,10	14	2300/2800	Imped.	40	119	25,5	104	112/132	42/43	Cable	Sleeve	1
AS	11925	BR	.	T	Y										Terminal			
AS	11925	CU	.	C	Y										Cable	Ball	1	
AS	11925	CU	.	T	Y										Terminal			
AS	11938	BR	.	C	Y	0,12/0,10	20/16	2650/3100	Imped.	40	119	38,5	104	142/150	43/48	Cable	Sleeve	1
AS	11938	BR	.	T	Y										Terminal			
AS	11938	CU	2	T	Y	0,08/0,07	13/12	2400/2300						138/133	36/34			
AS	11938	CU	3	T	Y	0,06/0,05	10/9	2100/1600	Imped.	55	119	38,5	104	118/95	35/32	Terminal	Ball	1
AS	11938	CU	4	T	Y	0,11/0,10	18/16	2600/2850						144/148	43/46			
AC	17251	CU	7	C	Y	0,10	23/24	2700/3100						336/390	53/59	Cable	Ball	2
AC	17251	CU	1	T	Y	0,11/0,14	30	2800/3350	Therm.	55	172	51	162	324/400	55/59	Terminal		

CU = Ball bearing; BR = Sleeve bearing

8025 = 80x80x25; 8038 = 80x80x38; 9225 = 92x92x25; 9238 = 92x92x38;  
11925 = 119x119x25; 11938 = 119x119x38; 17238 = 172x151x38; 17251 = 172x151x51

AB - Brushless fan motor; AC - Capacitor fan motor; AS - Shaded Pole fan motor

Serie AB .... in corrente continua: marcati **CE** classe B, in accordo a EN.60335.1

T0334/FP	CODE					Electric data					Dimensions				Airflow	Noise	Fig.
						V.	A.	W <sub>in</sub>	RPM	Prot.	A	B	C	D	max m3/h	dB(A)	
AB	8025	BR	1	.	R	12	0,20	2,40	3000	-	80	25,5	71,5	-	68	35	1
AB	8025	BR	1	.	S	24	0,13	3,12	3000								
AB	9225	BR	1	.	R	12	0,24	2,88	3200	-	92	25,5	82,5	-	104	40	1
AB	9225	BR	1	.	S	24	0,18	4,32	3000						96	39	
AB	11925	BR	1	C	R	12	0,33	3,96	3000	-	120	25,5	105	-	153	50	1
AB	11925	BR	1	C	S	24	0,24	5,86	3000								
AB	11938	BR	1	C	R	12	1,07	12,84	4200	-	120	38	105	-	245	55,1	1
AB	11938	BR	1	C	S	24	0,40	9,60	2800						170	46,6	

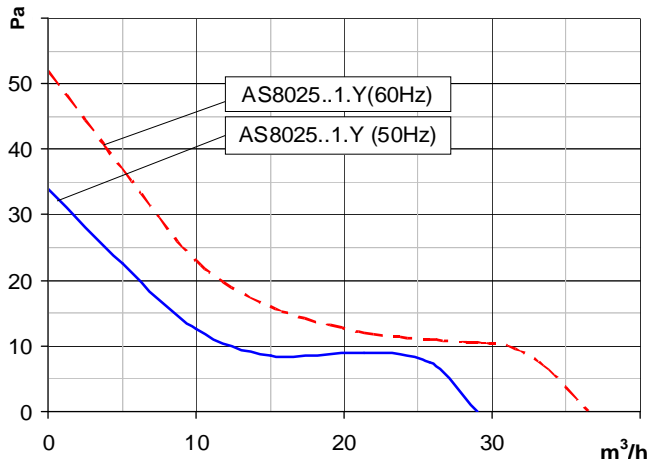
# Curve di portata

Performance curves

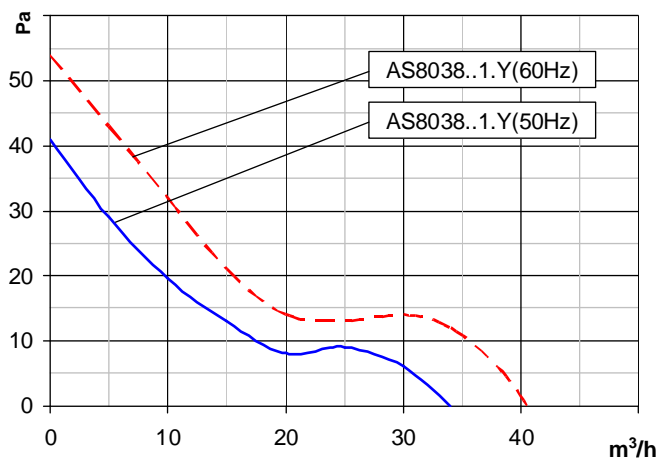
Courbes de débit

Luftleistungskennlinien

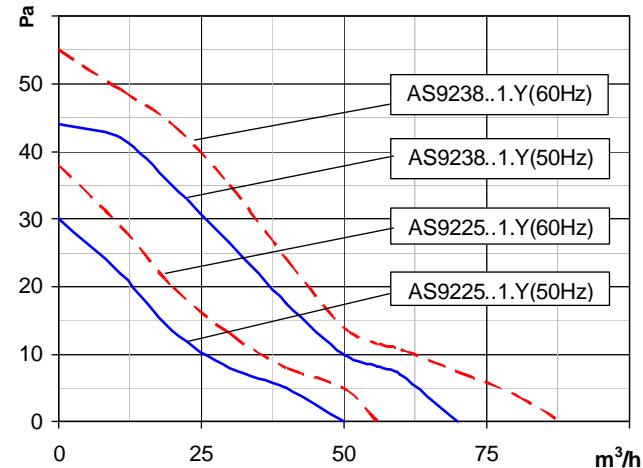
AS8025 ...



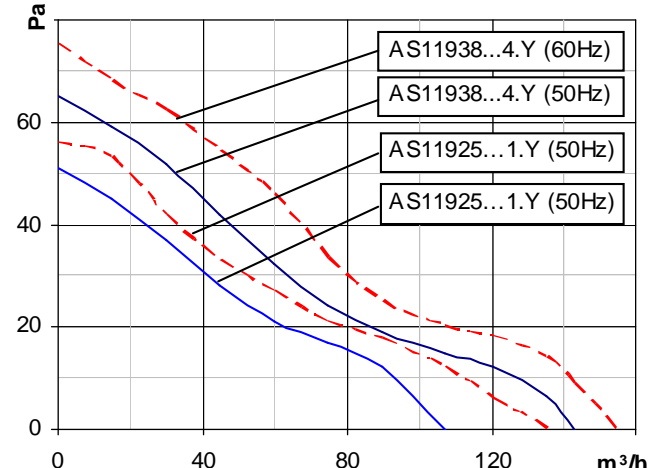
AS8038 ...



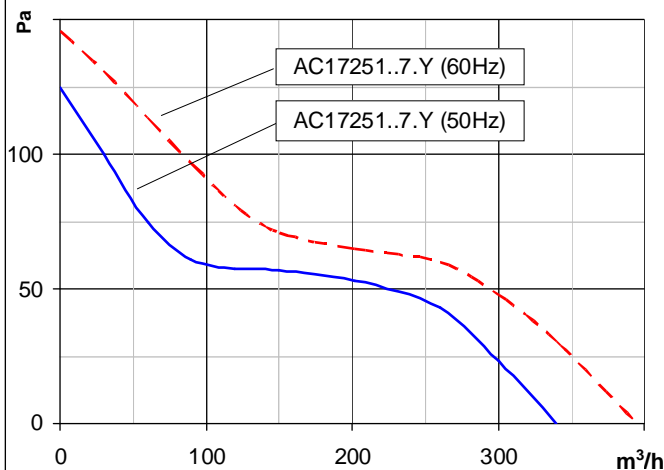
AS9225 .. AS9238 ..



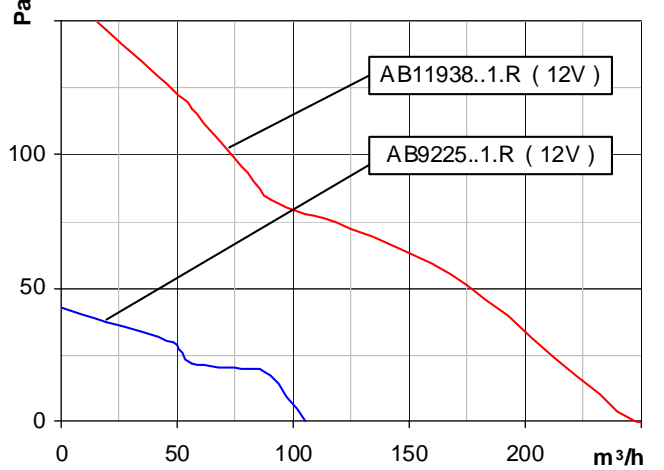
AS11925 .. AS11938



AC17251 ...



AB9225/11938... 12V



Tutti i dati di questo catalogo sono indicativi e possono essere variati senza preavviso. All data are indicative and may change without notice.

